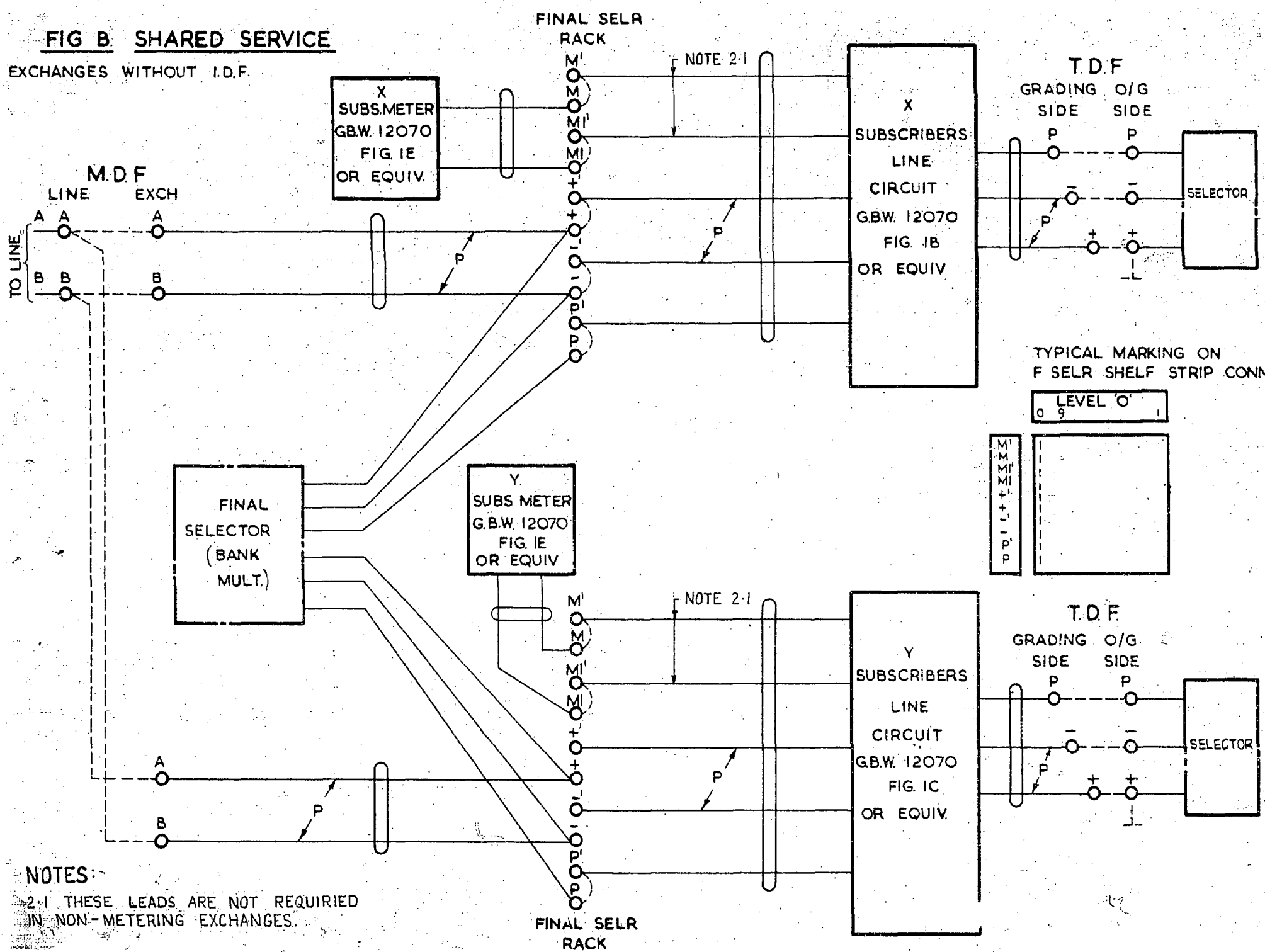


SUBSCRIBERS LINE CIRCUIT				
SHARED SERVICE				
SEPARATE CHARGING				
AMENDMENT PARTICULARS		ISSUE DATE	APPD	E
SHEETS 7,8 & 9 ADDED (70490)		A	27.2.61	JR
WAS SHEET 1-4 NOTE 1-1 ADDED (8709)		2	3.12.68	JA
		1	5.5.54	CP
DRAWN CHECKED WIRING ENGRS		GBX 12070		
N.Z. PD.		SHEET 1-9		

UD 235

FIG B SHARED SERVICE

EXCHANGES WITHOUT I.D.F.



NOTES:
 2-1 THESE LEADS ARE NOT REQUIRED IN NON-METERING EXCHANGES.

				SUBSCRIBERS LINE CIRCUIT			
				SHARED SERVICE			
				SEPARATE CHARGING			
SHEETS 7, 8 & 9 ADDED (70490)				A	2.3.71	JR	
WAS SHEET 2-4 NOTE 2-1 ADDED (8709)				2	3.12.68		
					5.5.54		
AMENDMENT PARTICULARS				ISSUE	DATE	APP'D	E
N.Z. P.O.				DRAWN CHECKED WIRING ENGINEER		GBX 12070	
						SHEET 2-9	

5 Centimetres

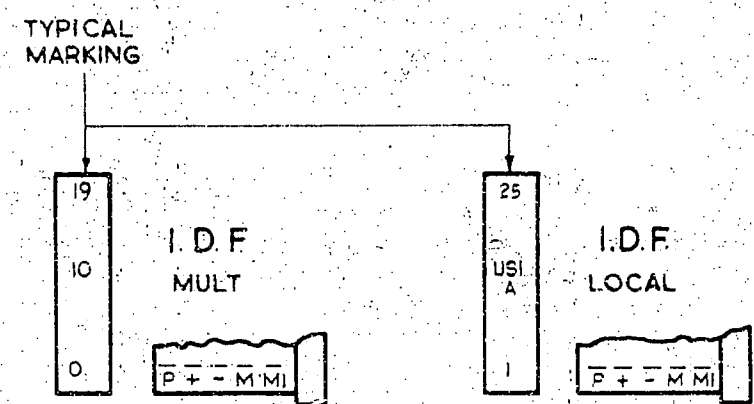
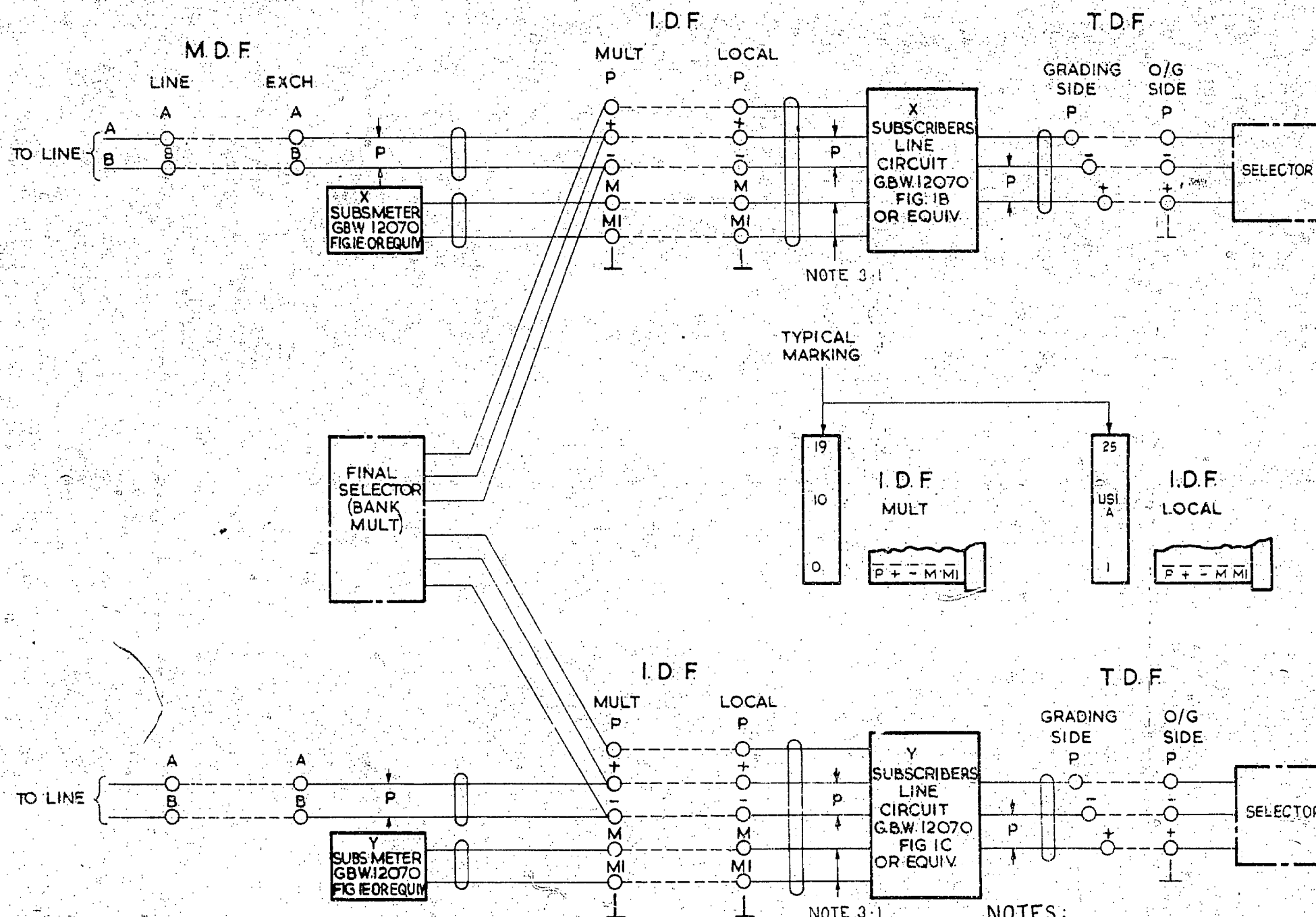


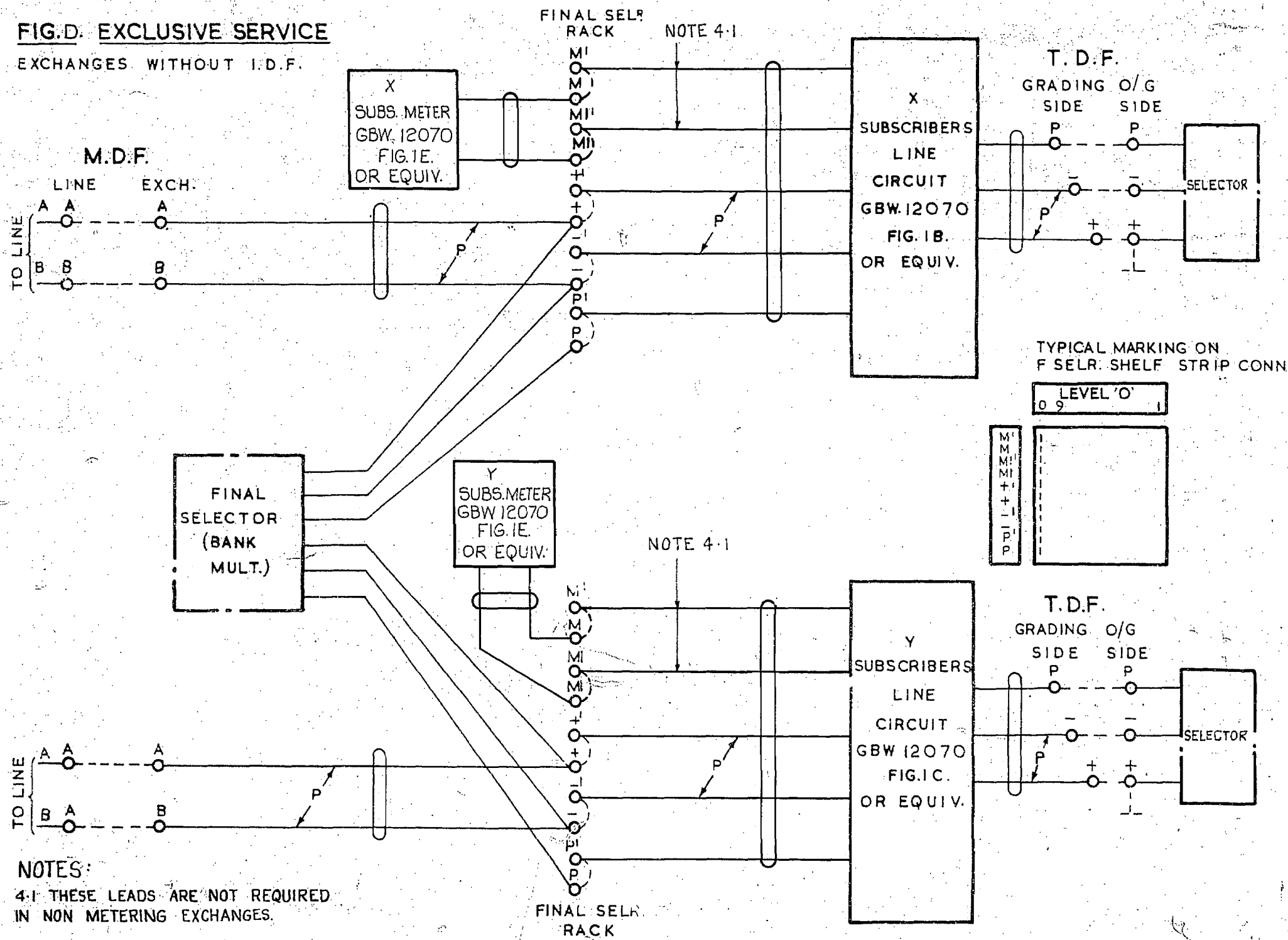
FIG C EXCLUSIVE SERVICE EXCHANGES WITH I.D.F.

NOTES:
3:1 THESE LEADS ARE NOT REQUIRED IN NON-METERING EXCHANGES.

					SUBSCRIBERS LINE CIRCUIT		
					SHARED SERVICE SEPARATE CHARGING		
SHEETS 7, 8 & 9 ADDED		(70490)	A	2.3.81	JR		
WAS SHEET 3-4 NOTE 3:1 ADDED.		(8709)	2	3.12.38			
		(31667)	1	5.5.54			
AMENDMENT PARTICULARS			ISSUE	DATE	APP'D		
N.Z. P.O.			DRAWN	CHECKED	WIRING	ENGRS	
			J.M.W.				
							GBX 12070
							SHEET 3-9

FIG. D. EXCLUSIVE SERVICE

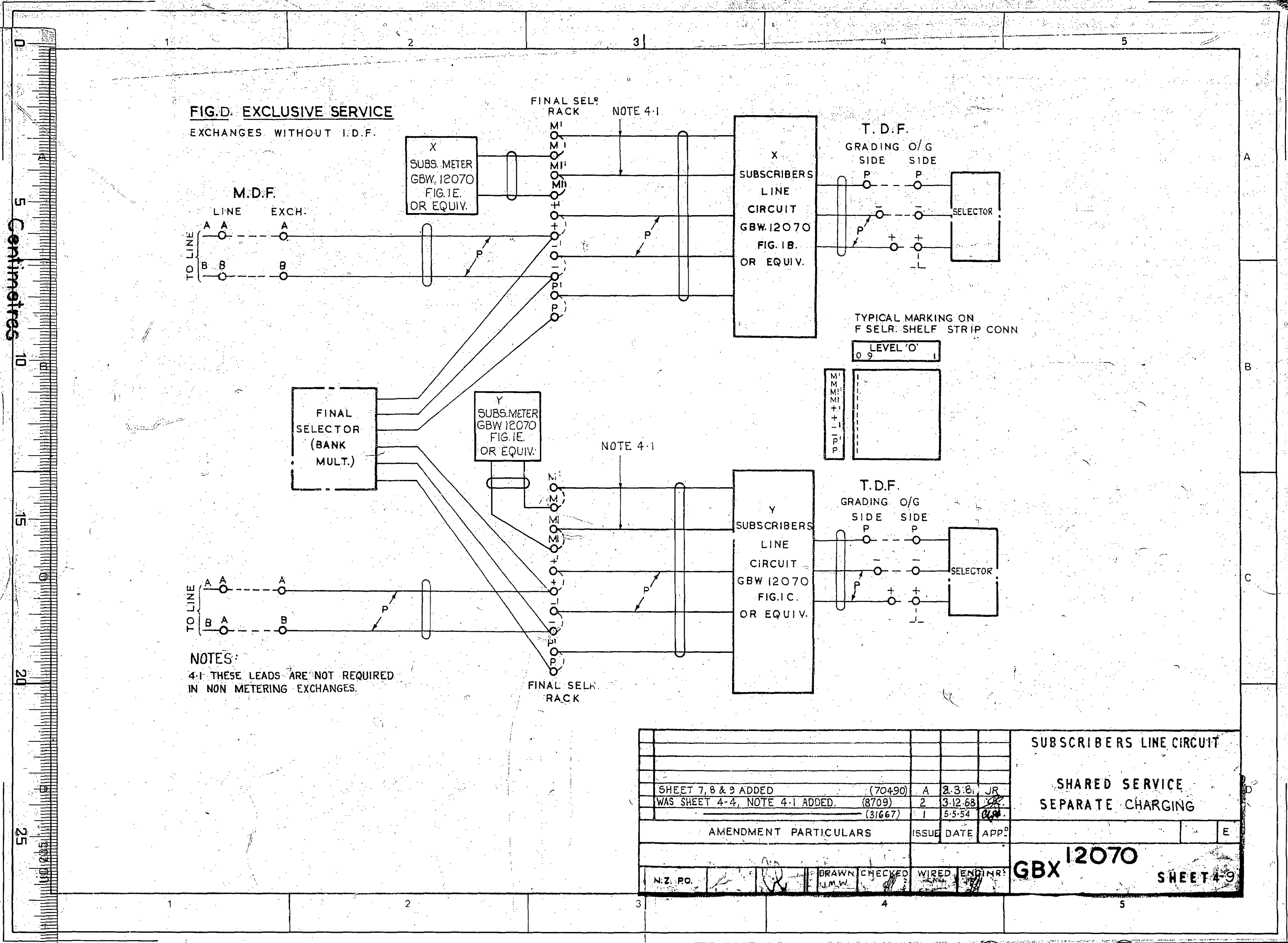
EXCHANGES WITHOUT I.D.F.

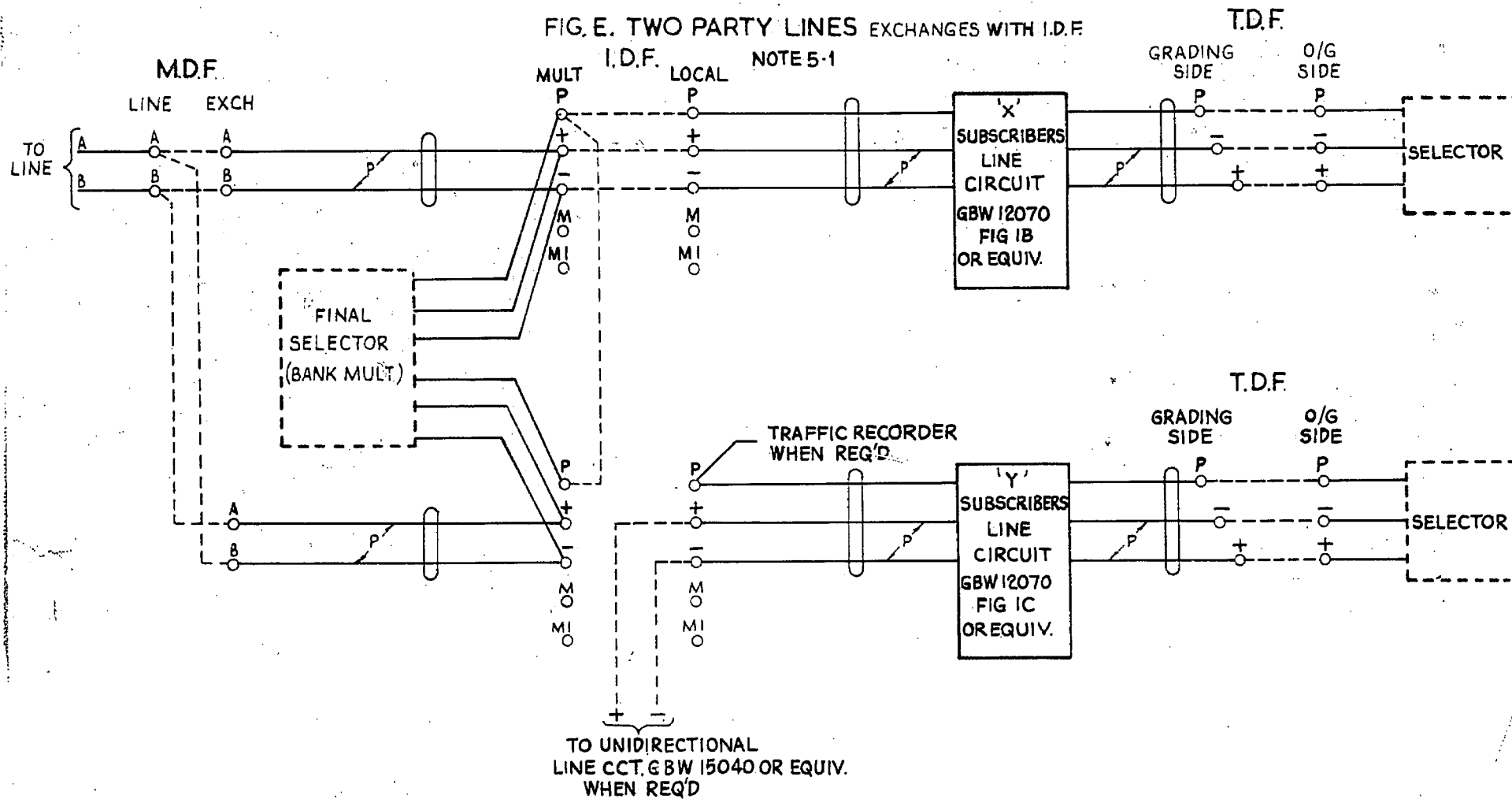


NOTES:
4.1 THESE LEADS ARE NOT REQUIRED IN NON METERING EXCHANGES.

				SUBSCRIBERS LINE CIRCUIT	
				SHARED SERVICE SEPARATE CHARGING	
SHEET 7, 8 & 9 ADDED (70490)		A	2-3-81	JR	
WAS SHEET 4-4, NOTE 4.1 ADDED. (8709)		2	3-12-68	CL	
		(31667)	1	5-5-54	CL
AMENDMENT PARTICULARS			ISSUE DATE	APP'D	E
N.Z. P.O.		DRAWN	CHECKED	WIRED	ENDORS
		J.M.W.			
				GBX 12070	
				SHEET 4-9	

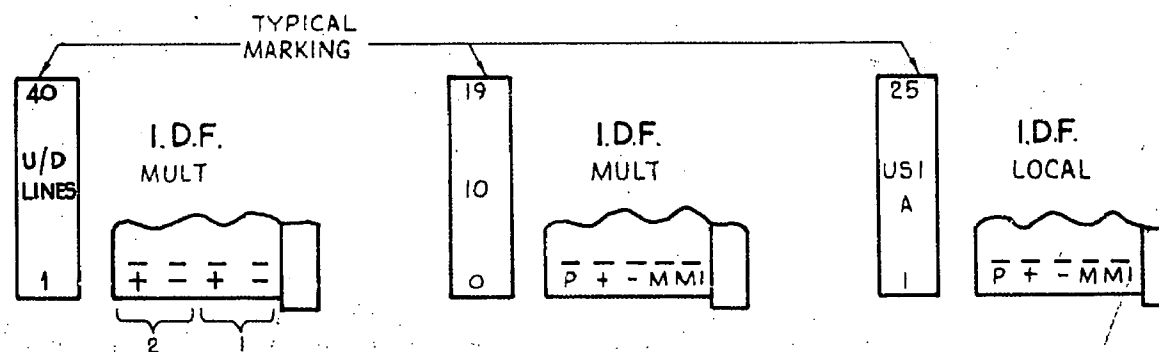
Centimetres





NOTES

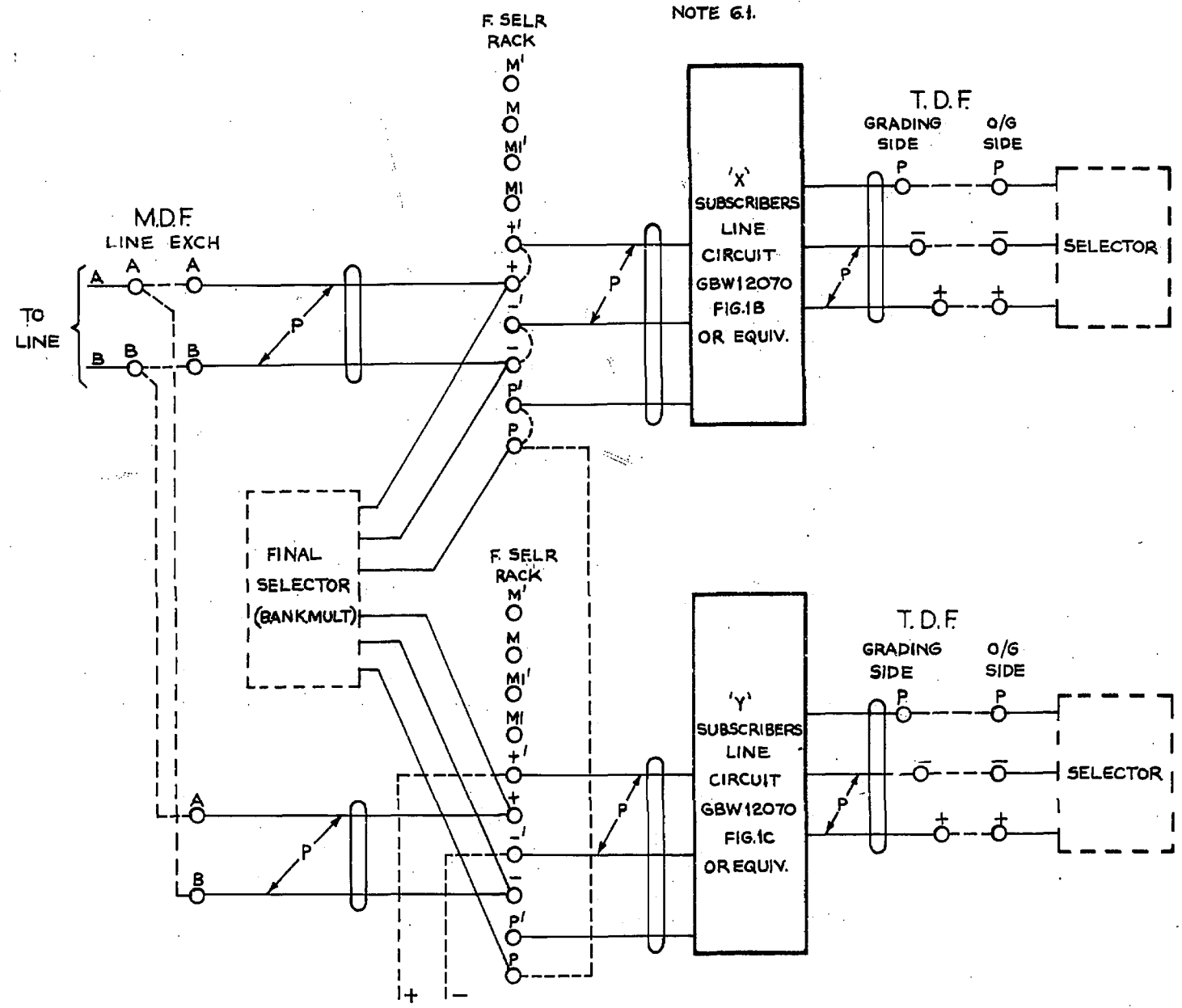
5-1 THIS FIG COVERS THE ADAPTATION OF SHARED SERVICE EQUIPMENT FOR TWO-PARTY LINE AND UNIDIRECTIONAL WORKING IN EXCHANGES CONVERTED TO NON-METERING OPERATION



SUBSCRIBERS LINE CIRCUIT					
SHARED SERVICE SEPARATE CHARGING					
SHEETS 7, 8 & 9 ADDED		(70490)	A	2-3-81	JR
		(8709)	2	3-12-68	
AMENDMENT PARTICULARS			ISSUE DATE	APP'D	E
NZ.P.O.		DRAWN	CHECKED	WIRING	CIRCUIT
GBX 12070					SHEET 5-9

FIG F TWO-PARTY LINES EXCHANGES WITHOUT I.D.F.

NOTE 6.1.



TO UNIDIRECTIONAL
LINE CCT. CBW15040 OR
EQUIV. WHEN REQD.

09 LEVEL 0 1

TYPICAL
MARKING
ON F.SELR.
SHELF
STRIP CONN.

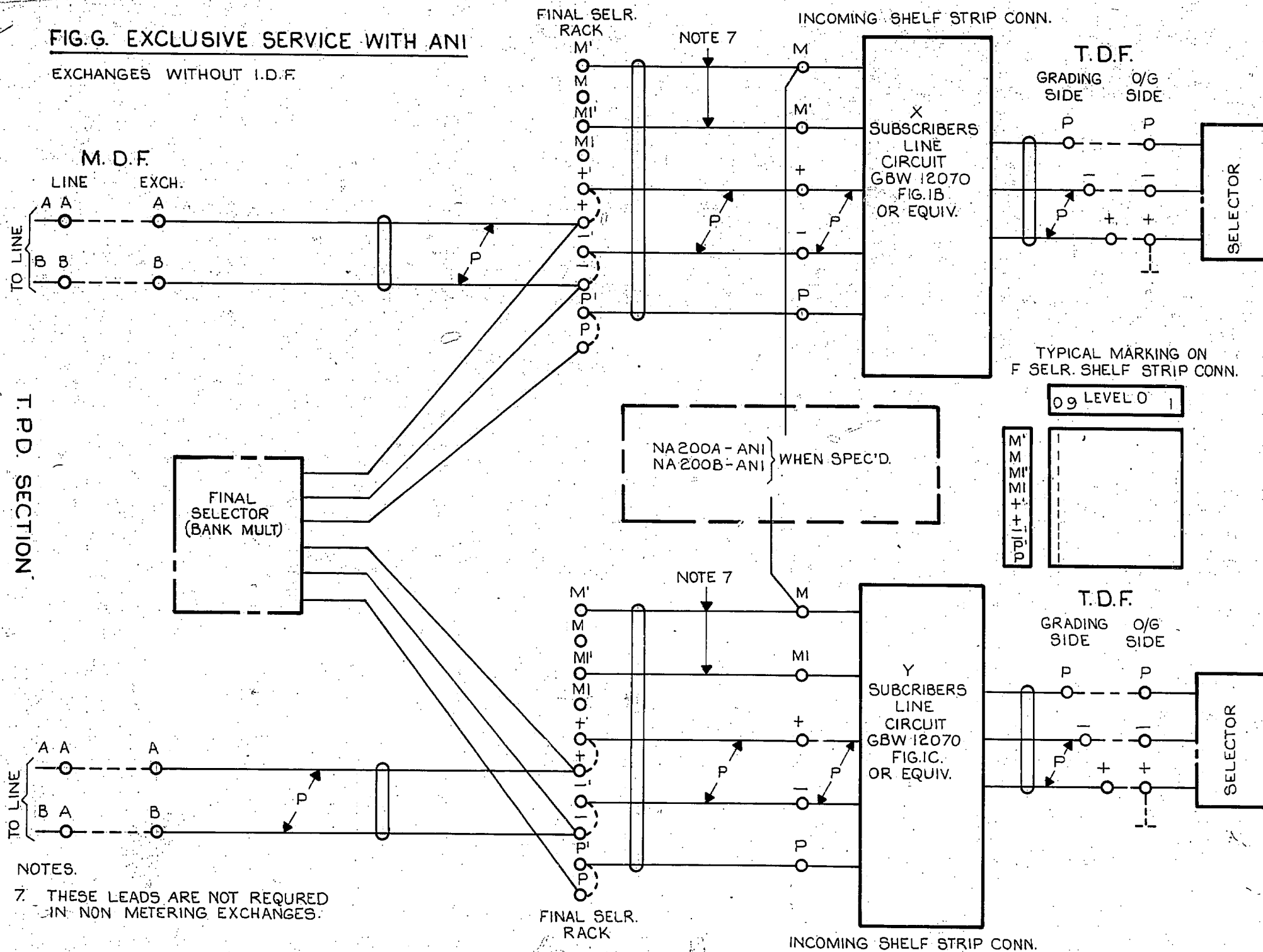
NOTES.

6.1. THIS FIG COVERS THE ADAPTATION OF
SHARED SERVICE EQUIPMENT FOR TWO
PARTY LINE & UNIDIRECTIONAL WORKING
IN EXCHANGES CONVERTED TO NON
METING EXCHANGES.

				SUBSCRIBERS LINE CIRCUIT			
				SHARED SERVICE SEPARATE CHARGING			
SHEETS 7,8 & 9 ADDED		(70490)	A	2.3.81	JR		
		(8709)	2.	3.12.68	SK		
AMENDMENT PARTICULARS				ISSUE	DATE	APPD	E
				DRAWN CHECKED WIRING CIRCUIT			
N.Z.P.O.				GBX 12070			
				SHEET 6-9			

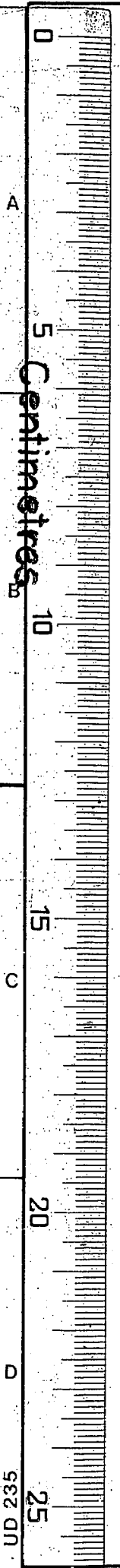
FIG. G. EXCLUSIVE SERVICE WITH ANI

EXCHANGES WITHOUT I.D.F.



NOTES.
7. THESE LEADS ARE NOT REQUIRED IN NON METERING EXCHANGES.

				SUBSCRIBERS LINE CIRCUIT			
				SHARED SERVICE			
				SEPARATE CHARGING			
				(70490)	A	4.3.81	JR
AMENDMENT PARTICULARS				ISS.	DATE	APD.	E
N.Z.P.O.				DRAWN		CHECKED	
				WIRING		ENGRS	
				GBX 12070			
				SHEET 7-9			



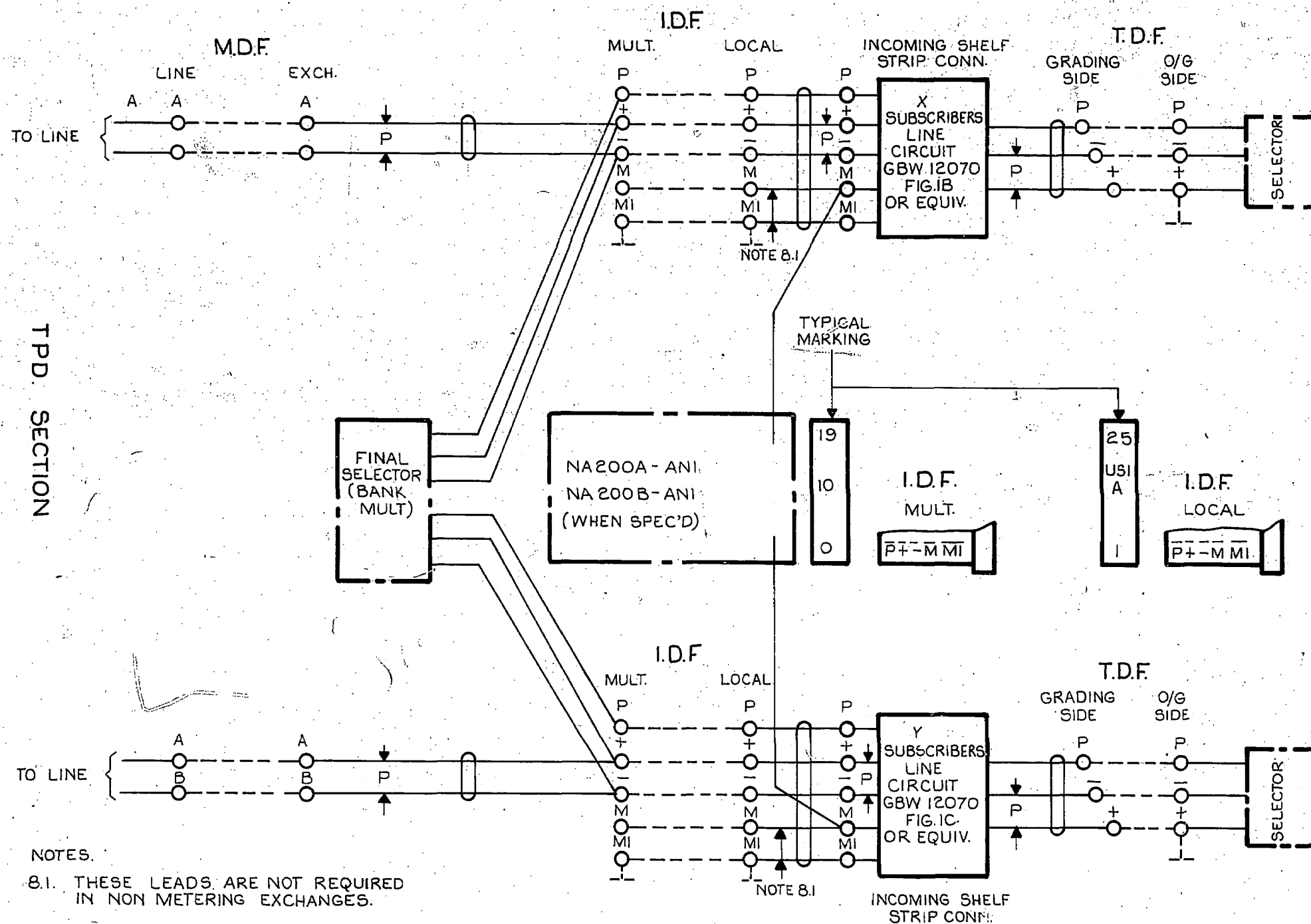


FIG.H EXCLUSIVE SERVICE WITH ANI EXCHANGES WITH I.D.F.

				SUBSCRIBERS LINE CIRCUIT			
				SHARED SERVICE			
				SEPARATE CHARGING			
				(70490)	A	4-3-81	JR
AMENDMENT PARTICULARS				ISS.	DATE	APD.	E
				GBX 12070			
N.Z.P.O.		DRAWN	CHECKED	WIRING	ENGRS.	SHEET 8.9	

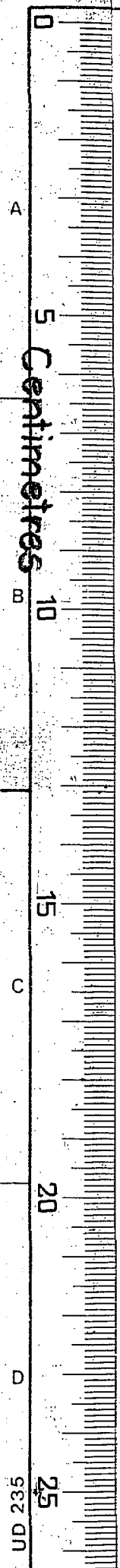
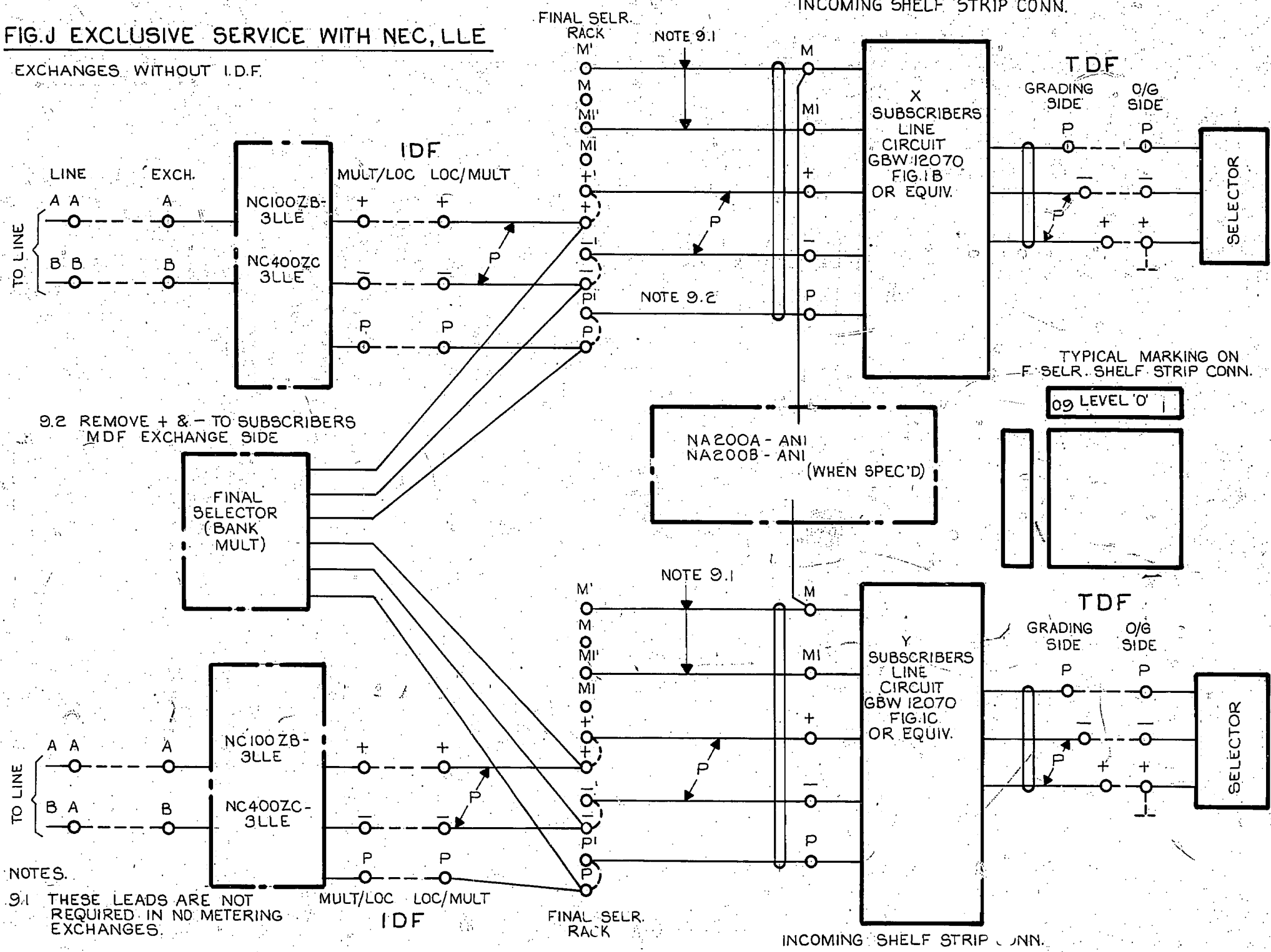


FIG. J EXCLUSIVE SERVICE WITH NEC, LLE

EXCHANGES WITHOUT I.D.F.



9.2 REMOVE + & - TO SUBSCRIBERS
MDF EXCHANGE SIDE

NOTES.

9.1 THESE LEADS ARE NOT
REQUIRED IN NO METERING
EXCHANGES.

				SUBSCRIBERS LINE CIRCUIT			
				SHARED SERVICE			
				SEPARATE CHARGING			
				(70490)	A	4-3-81	JR
AMENDMENT PARTICULARS				ISS	DATE	APD	E
N.Z.P.O.		DRAWN	CHECKED	WIRING	ENGRS	GBX 12070	
						SHEET 9-9	

