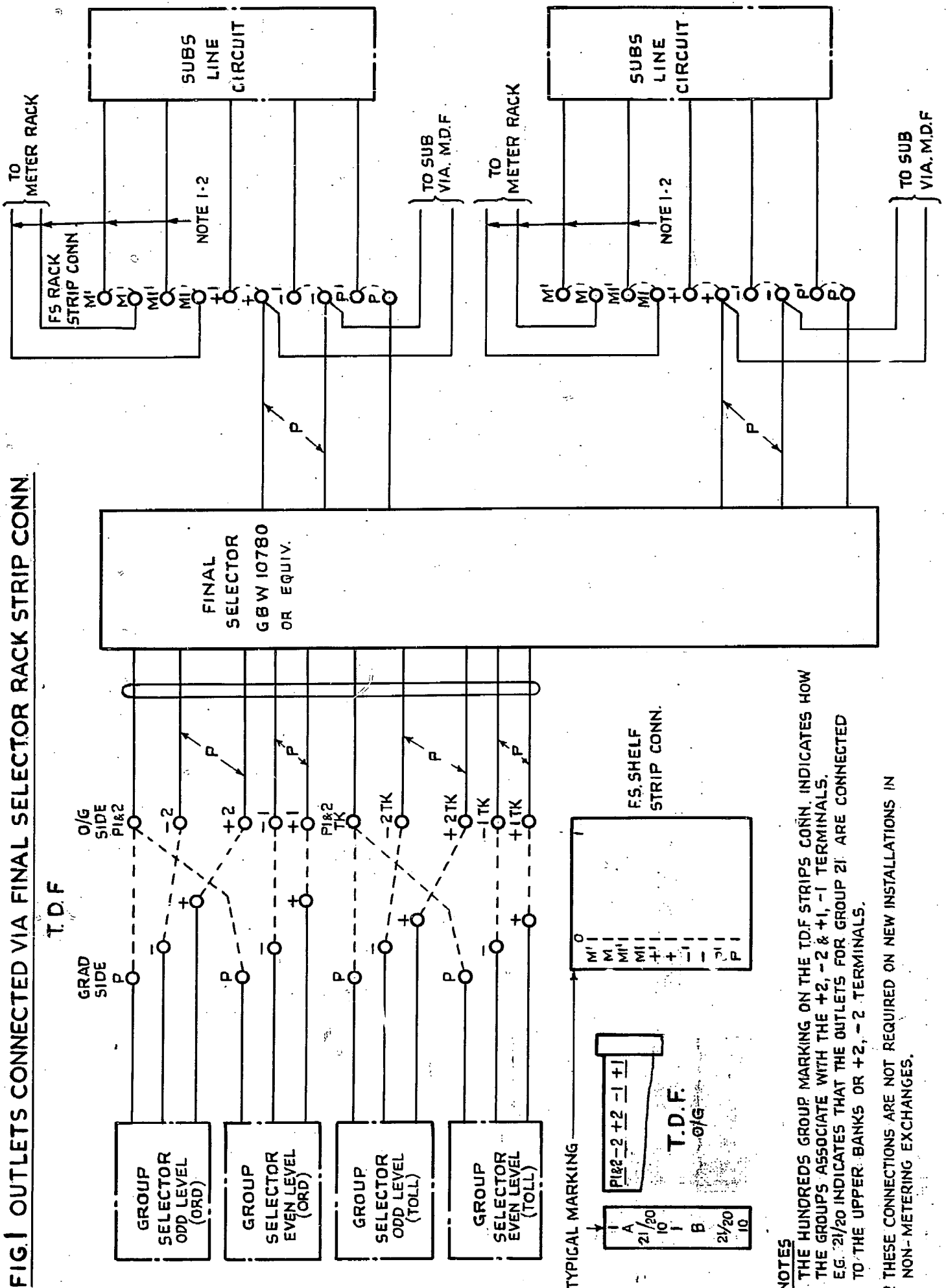


FIG. 1 OUTLETS CONNECTED VIA FINAL SELECTOR RACK STRIP CONN.



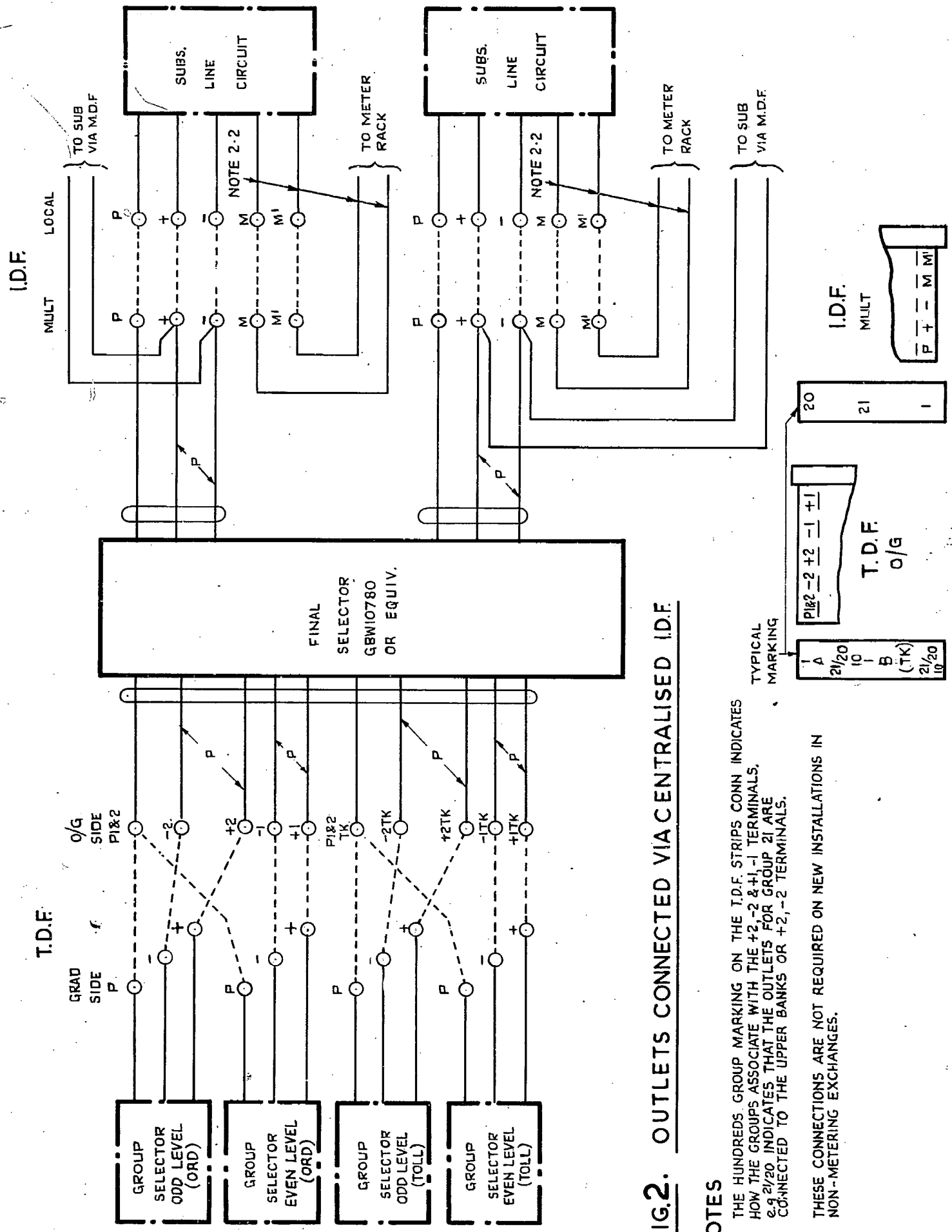
NOTES  
 1. THE HUNDREDS GROUP MARKING ON THE T.D.F. STRIPS CONN. INDICATES HOW THE GROUPS ASSOCIATE WITH THE +2, -2 & +1, -1 TERMINALS. EG. 21/20 INDICATES THAT THE OUTLETS FOR GROUP 21 ARE CONNECTED TO THE UPPER BANKS OR +2, -2 TERMINALS.  
 2. THESE CONNECTIONS ARE NOT REQUIRED ON NEW INSTALLATIONS IN NON-METERING EXCHANGES.

AMENDMENT PARTICULARS		ISSUE	DATE	APPD
1				
2	10782 ADDED TO DIAGRAM NUMBER			
3	WAS SHEET 1-2			
4	WAS SHEET 1-4 NOTE 1.2 ADDED (86065)		6-10-69	RW
N.Z.P.O.	DRAWN	CHECKED	WIRING	ENGINEERS

200 LINE FINAL SELECTOR WITH TOLL FACILITIES REGULAR. 2000 TYPE

GBX 10780 10782 10781

SHEET 1-5



**FIG.2. OUTLETS CONNECTED VIA CENTRALISED I.D.F.**

**NOTES**

- 2-1 THE HUNDREDS GROUP MARKING ON THE I.D.F. STRIPS CONN INDICATES HOW THE GROUPS ASSOCIATE WITH THE +2, -2 & +1, -1 TERMINALS, & 9 2/20 INDICATES THAT THE OUTLETS FOR GROUP 21 ARE CONNECTED TO THE UPPER BANKS OR +2, -2 TERMINALS.
- 2-2 THESE CONNECTIONS ARE NOT REQUIRED ON NEW INSTALLATIONS IN NON-METERING EXCHANGES.

AMENDMENT PARTICULARS	ISSUE	DATE	APPD
1			
2			
3			
4		6-10-69	RW
WAS SHEET 2-4 NOTES ADDED (86065)			
WAS SHEET 2-2			
10782 ADDED TO DIAGRAM NUMBER			
N.Z.P.O.	DRAWN	CHECKED	WIRED
			ENGINERS
			9/1/60

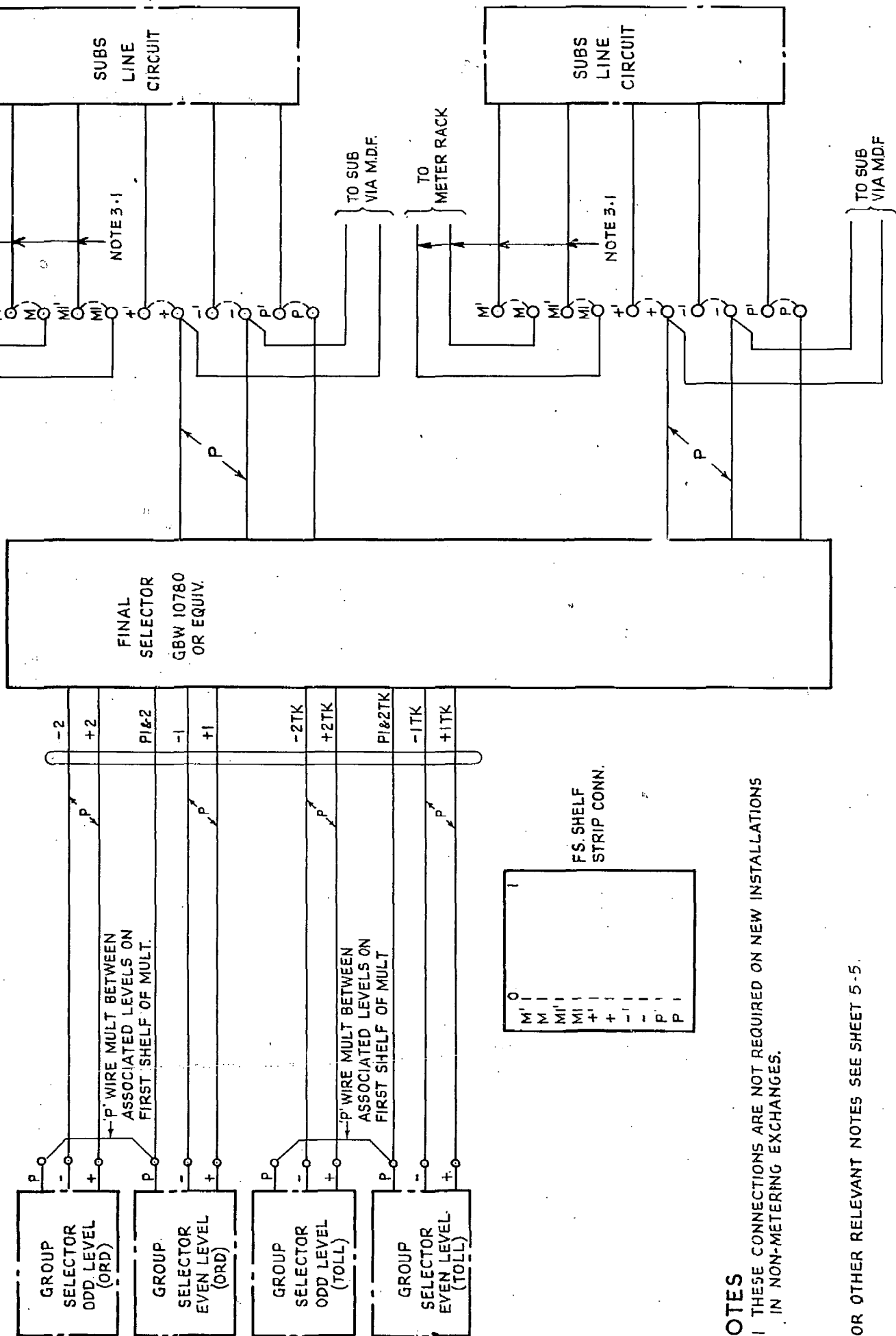
200 LINE FINAL SELECTOR  
WITH TOLL FACILITIES  
REGULAR.  
(2000 TYPE)

GBX 10780 10782  
10781

SHEET 2-5

# FIG 3 OUTLETS CONNECTED VIA FINAL SELECTOR RACK STRIP CONN

CABLING OF OUTLETS BETWEEN PEN-ULTIMATE GROUP SELECTOR BANK MULT TERM STRIPS AND FINAL SELECTORS WITHOUT T.D.F.



**NOTES**  
 3.1 THESE CONNECTIONS ARE NOT REQUIRED ON NEW INSTALLATIONS IN NON-METERING EXCHANGES.

FOR OTHER RELEVANT NOTES SEE SHEET 5-5.

					200 LINE FINAL SELECTOR WITH TOLL FACILITIES REGULAR 2000 TYPE	
WAS SHEET 3-4. NOTE 3.1 ADDED (86065)			4	6-10-69	Rw	
AMENDMENT PARTICULARS			ISSUE	DATE	APP'D	E.
N.Z.P.O.	DRAWN.	CHECKED.	WIRING.	ENGR'S	GBX 10780 10782 10781	
						SHEET 3-5



