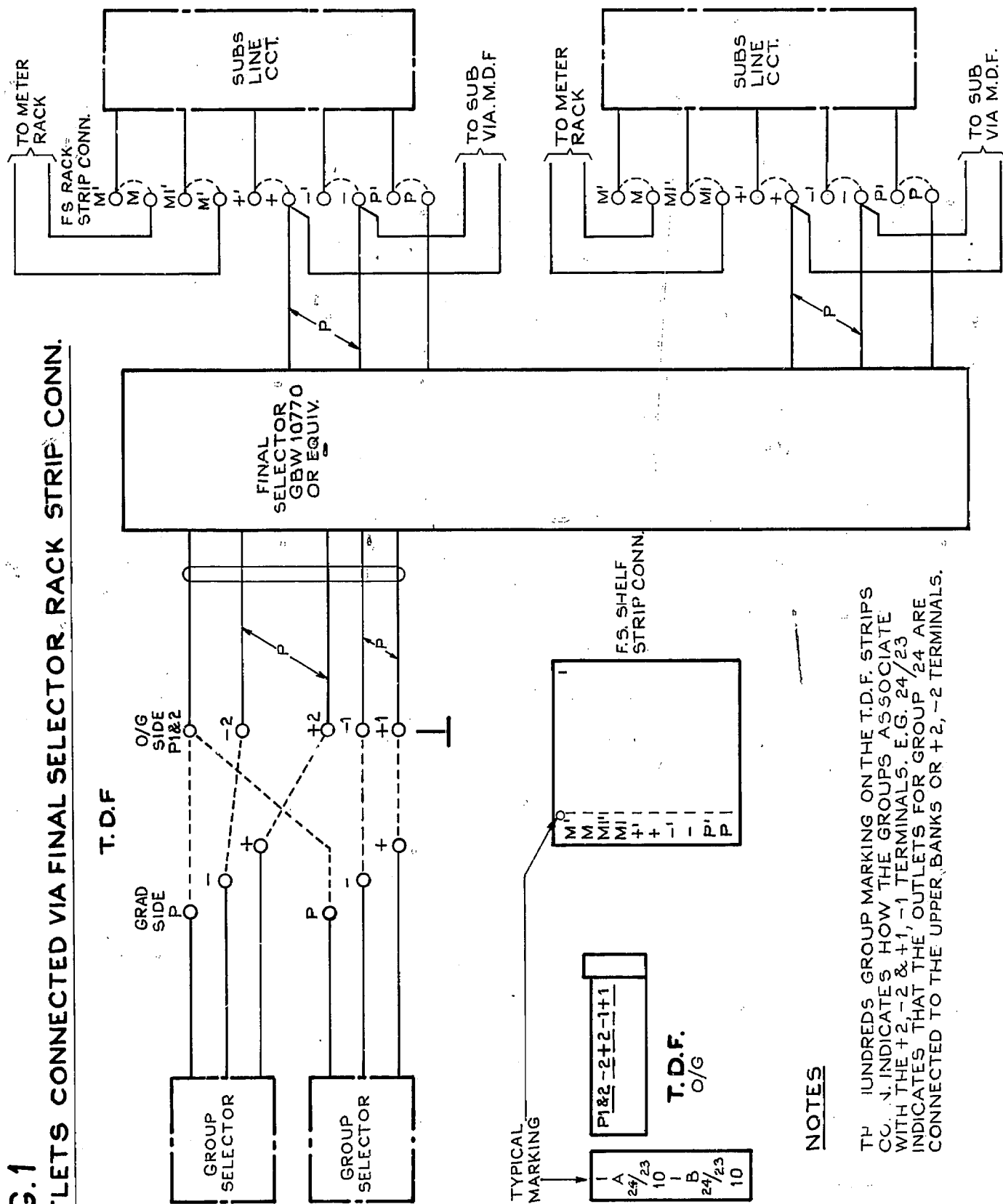


FIG.1
OUTLETS CONNECTED VIA FINAL SELECTOR RACK STRIP CONN.



PROOF

RETRACED FROM ISS.3 OF 6.11.56	(183022)	3A	16.11.79	
WAS SHEET 1.2	(68197)	3	6.11.56	C.W.H.
10772 ADDED TO DIAGRAM NUMBER	(31667)	2	5.5.54	
		1	7.6.50	

**200 LINE FINAL SELECTOR
ORDINARY
POSITIVE BATTERY METERING
2000 TYPE**

AMENDMENT PARTICULARS	ISS	DATE	APD	SIZE: A4	E
-----------------------	-----	------	-----	----------	---

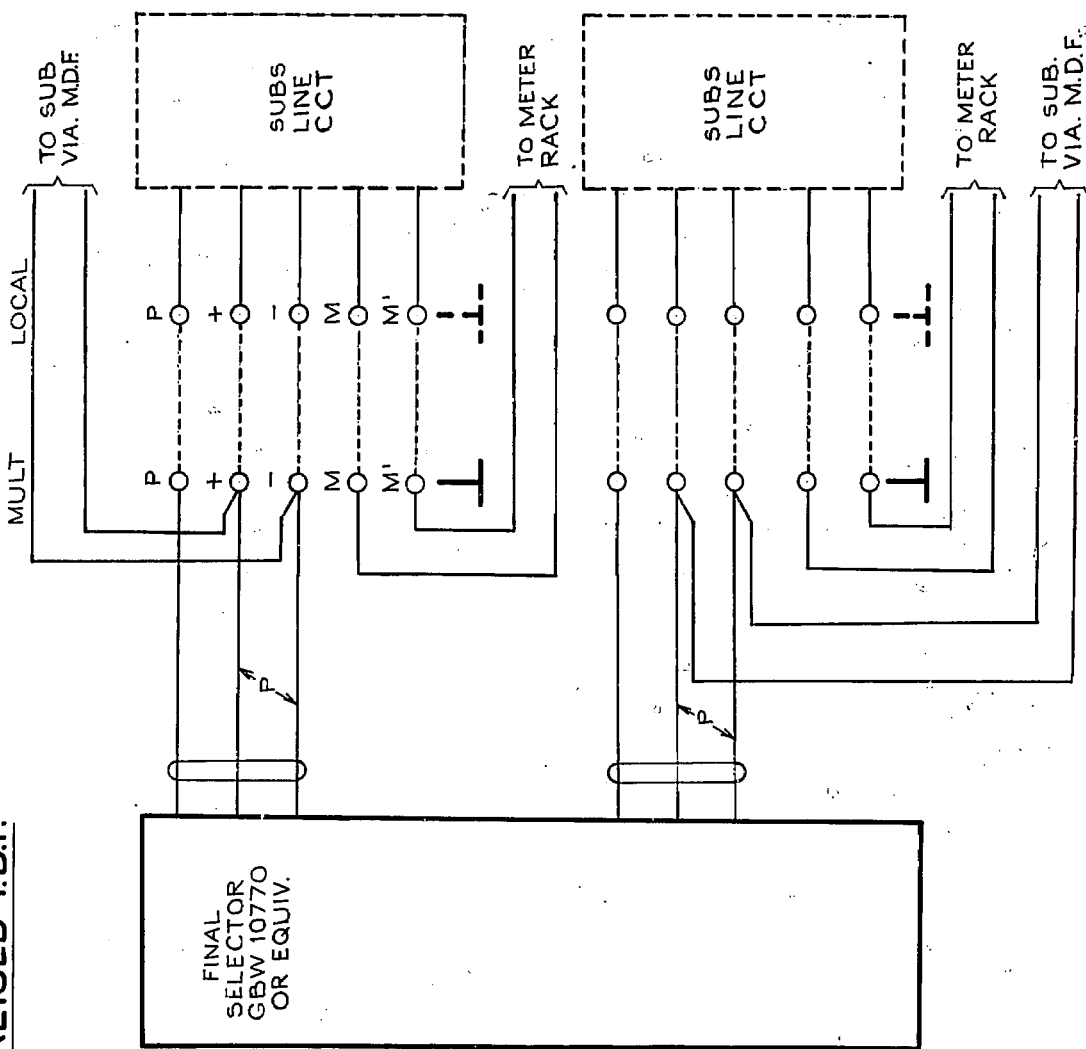
ONZ PO	5	DRAWN	CHECKED	WIRING	ENGRS
Centimetres 10					

GBX 10770 10772
10771

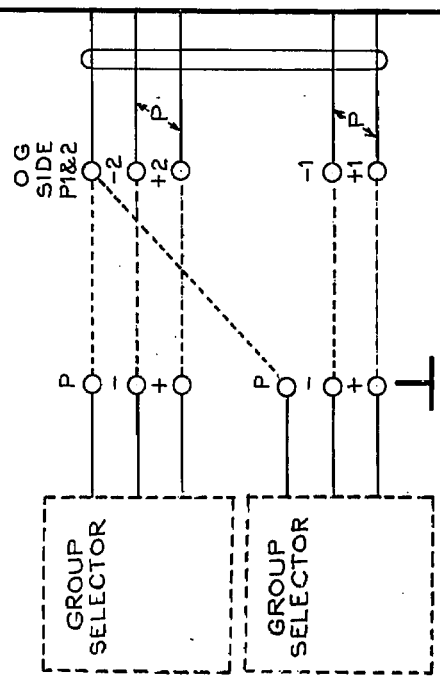
SHEET 1-4

FIG. 2
OUTLETS CONNECTED VIA CENTRALISED I.D.F.

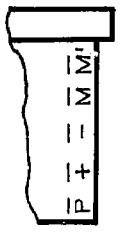
I.D.F.



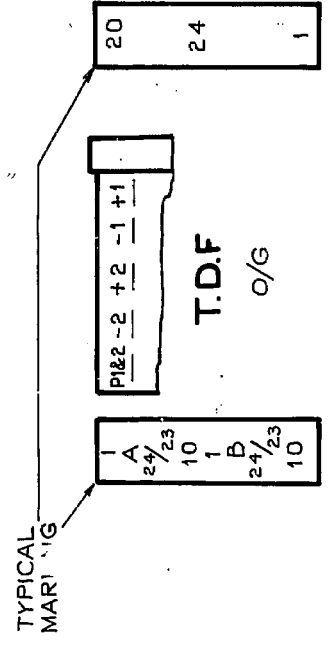
T.D.F.



I.D.F.
MULT.



T.D.F.
O/G



PROOF

RETRACED FROM ISS. 3 OF 16.11.56 (183022)	3A	16.11.79
WAS SHEET 2-2 (68197)	3	16.11.56 C.W.H.
10772 ADDED TO DIAGRAM NUMBER (31667)	2	5.5.54
	1	7.6.50
AMENDMENT PARTICULARS	ISSUE	DATE
	APD.	
0 NZPO	5	DRAWN
		CHECKED
		WIRING
		ENGRS
	10	
Centimetres		

**200 LINE FINAL SELECTOR
ORDINARY
POSITIVE BATTERY METERING
2000 TYPE**

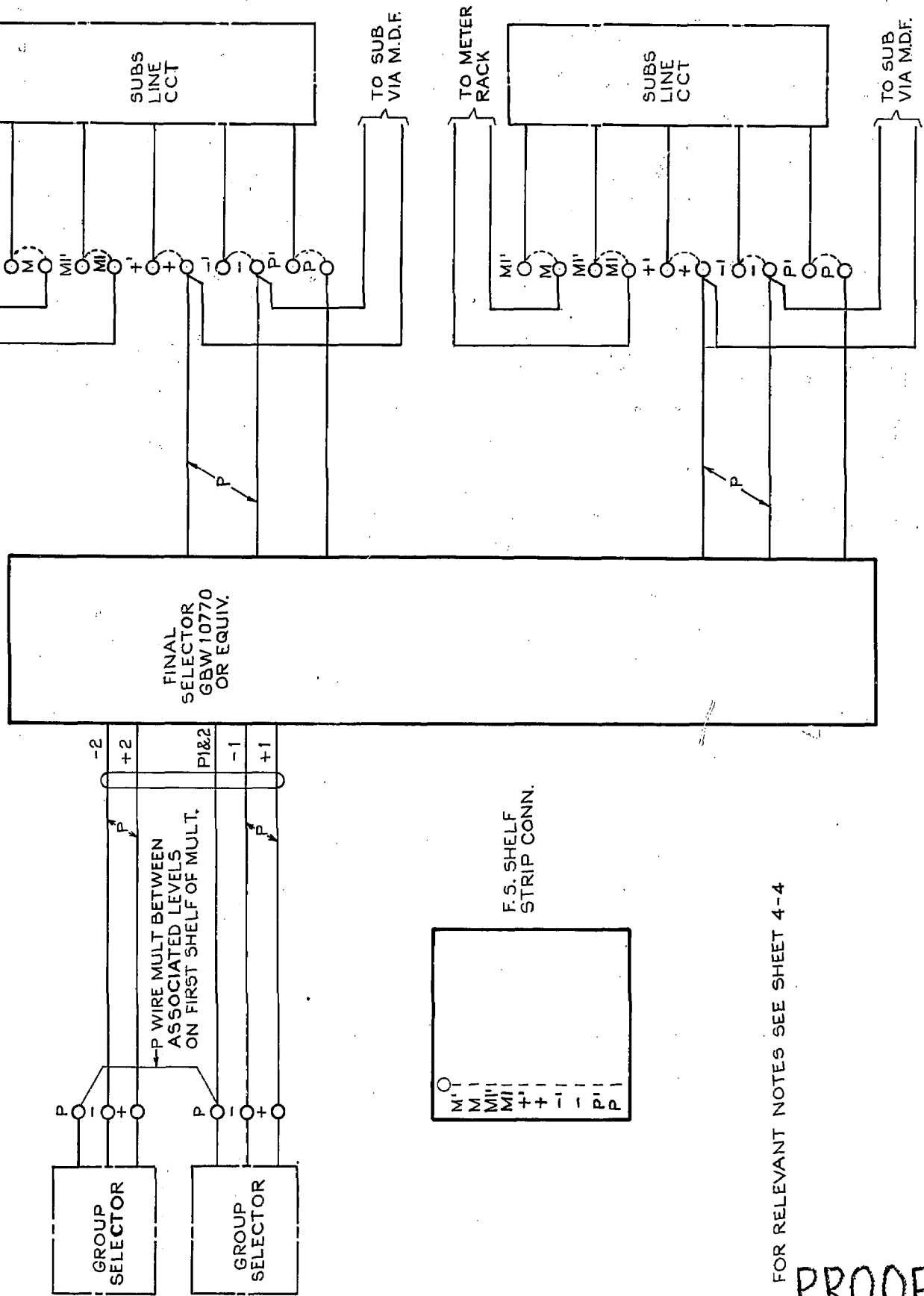
SIZE: A4 E

GBX 10770 10772
10771

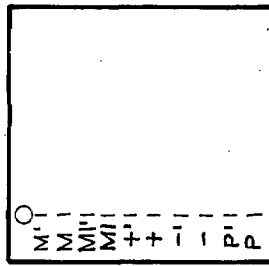
SHEET 2-4 20

FIG. 3
OUTLETS CONNECTED VIA FINAL SELECTOR RACK STRIP CONN

CABLING OF OUTLETS BETWEEN PEN-ULTIMATE GROUP SELECTOR BANK MULT TERM STRIPS AND FINAL SELECTORS WITHOUT I.D.F.



F.S. SHELF STRIP CONN.



FOR RELEVANT NOTES SEE SHEET 4-4

PROOF

				200 LINE FINAL SELECTOR ORDINARY POSITIVE BATTERY METERING 2000 TYPE	
RETRACED FROM ISS. 3 OF 16-11-56 (183022)		3 A	16-11-79		
(68197)		3	16-11-56 C.W.H.		
AMENDMENT PARTICULARS			ISSUE DATE	APD.	SIZE: A4
					E
DRAWN			CHECKED	WIRING	ENGRS
5				10	
Centimetres			GBX 10770 10771		0772
			15		
					SHEET 3-4 20

NOTES

- 4.1 THE HUNDREDS NUMBERING OF THE PENULTIMATE SELECTOR LEVELS INDICATES HOW THE GROUPS ASSOCIATE WITH THE +2,-2 & +1,-1 TERMINALS, eg. LEVELS 24/23 INDICATES THAT THE OUTLETS FOR GROUP 24 ARE CONNECTED TO THE UPPER BANK OR +2,-2 TERMINALS.
- 4.2 EXCEPT WHEN OTHERWISE REQUIRED OR AS LIMITED BY THE SIZE OF CABLE PROVIDED, ALL OUTLETS SHALL BE COMPLETELY WIRED BETWEEN THE GROUP SELECTOR BANK MULTIPLE TERMINAL STRIPS AND THE FINAL SELECTOR SHELF JACKS.
- 4.3 WHERE GROUP SELECTOR OUTLETS ARE NOT CABLED THE "P" TERMINALS SHALL BE "COMMONED" ON THE BANK MULT. TERMINAL STRIPS AND CONNECTED TO EARTH VIA THE SHELF MISC. TERMINAL STRIP.
- 4.4 STRAPPING ON F.S. SHELF JACKS SHALL BE EFFECTED IN ACCORDANCE WITH THE NOTES ON THE RELEVANT GBU DIAGRAM.
- 4.5 FOR DIRECT CABLING TO F.S. GROUPS REFER TO GBW 14850.



PROOF

					200 LINE FINAL SELECTOR ORDINARY POSITIVE BATTERY METERING 2000 TYPE				
RETRACED FROM ISS.3 OF 16.11.56 (183022)					3A	16.11.79			
(68197)					3	16.11.56	C.W.H		
AMENDMENT PARTICULARS					ISSUE	DATE	APD.	SIZE: A4	E
					GBX		10770	10772	
NZPO					DRAWN E.U.	CHECKED	WIRING	ENGRS	
							10771	SHEET 4-4	