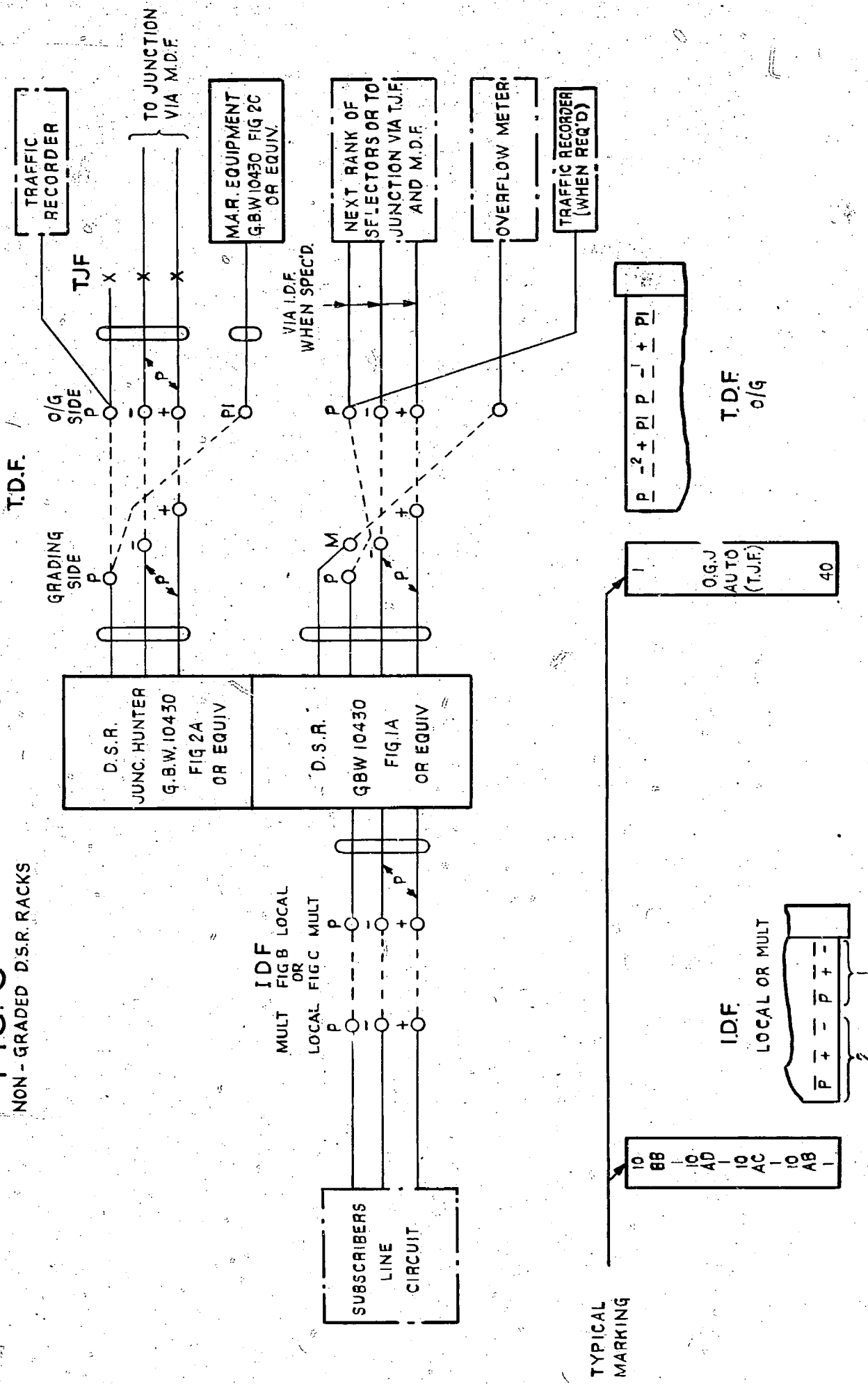




FIG. B NOT TO BE USED FOR NEW EXCHANGES.

FIG. C

NON-GRADED D.S.R. RACKS



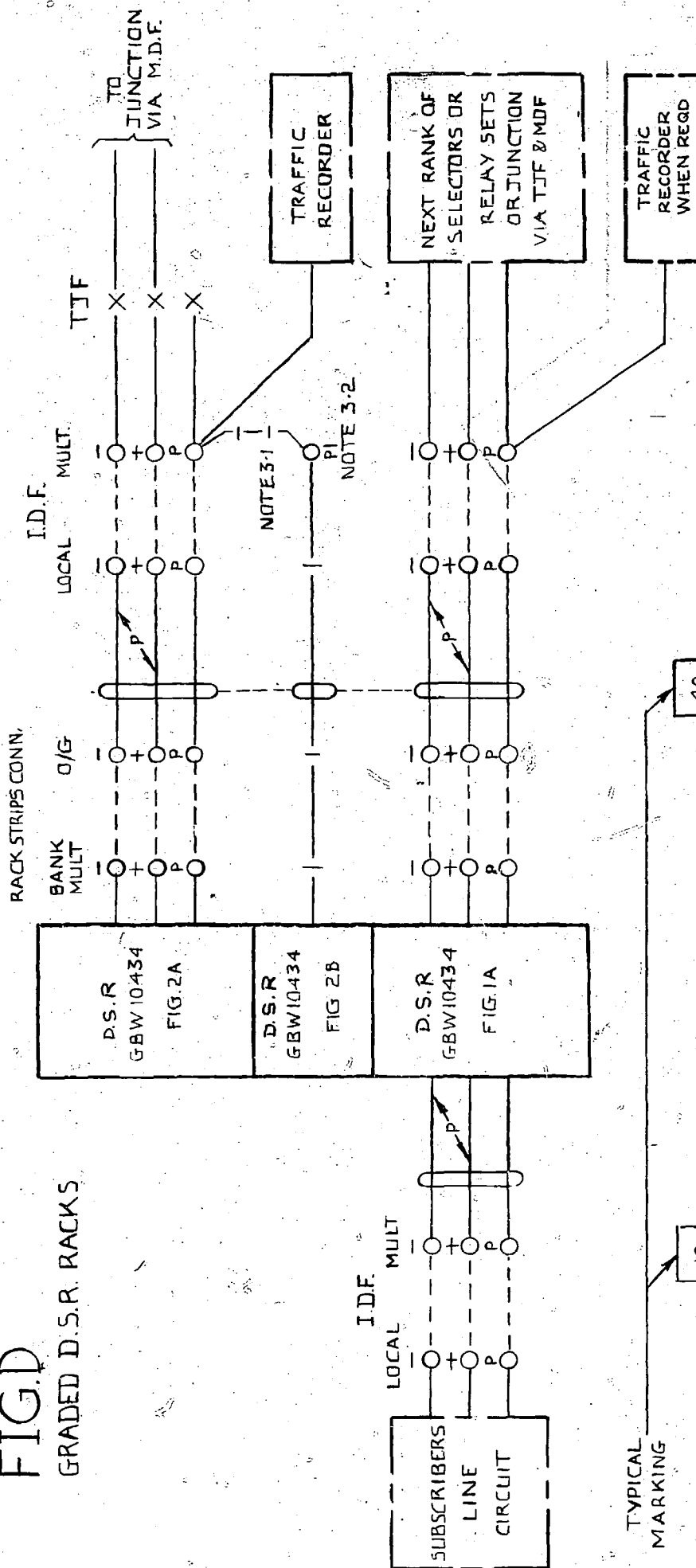
AMENDMENT PARTICULARS	ISSUE	DATE	APPD
4			
5			
6			
7		8-4-70	RW
8		12-2-71	B.S.H
WAS SHEET 2 OF 3 (4999) 10434 ADDED TO DGM. NUMBER, WAS SHEET 2-2 (21923) FIG. C AND FIG. B NOTE RE NEW WORK ADDED 10433 ADDED TO DGM NUMBER			
N.Z.P.O.	DRAWN	CHECKED	WIRING CIRCUIT

DISCRIMINATING SELECTOR REPEATER  
 COIN BOX  
 200 OUTLET  
 2000 TYPE

GBX | 10430 | 10433  
 | 10431 | | 10434  
 | 10432 | |

SHEET 2/4

FIG.D  
GRADED D.S.R. RACKS



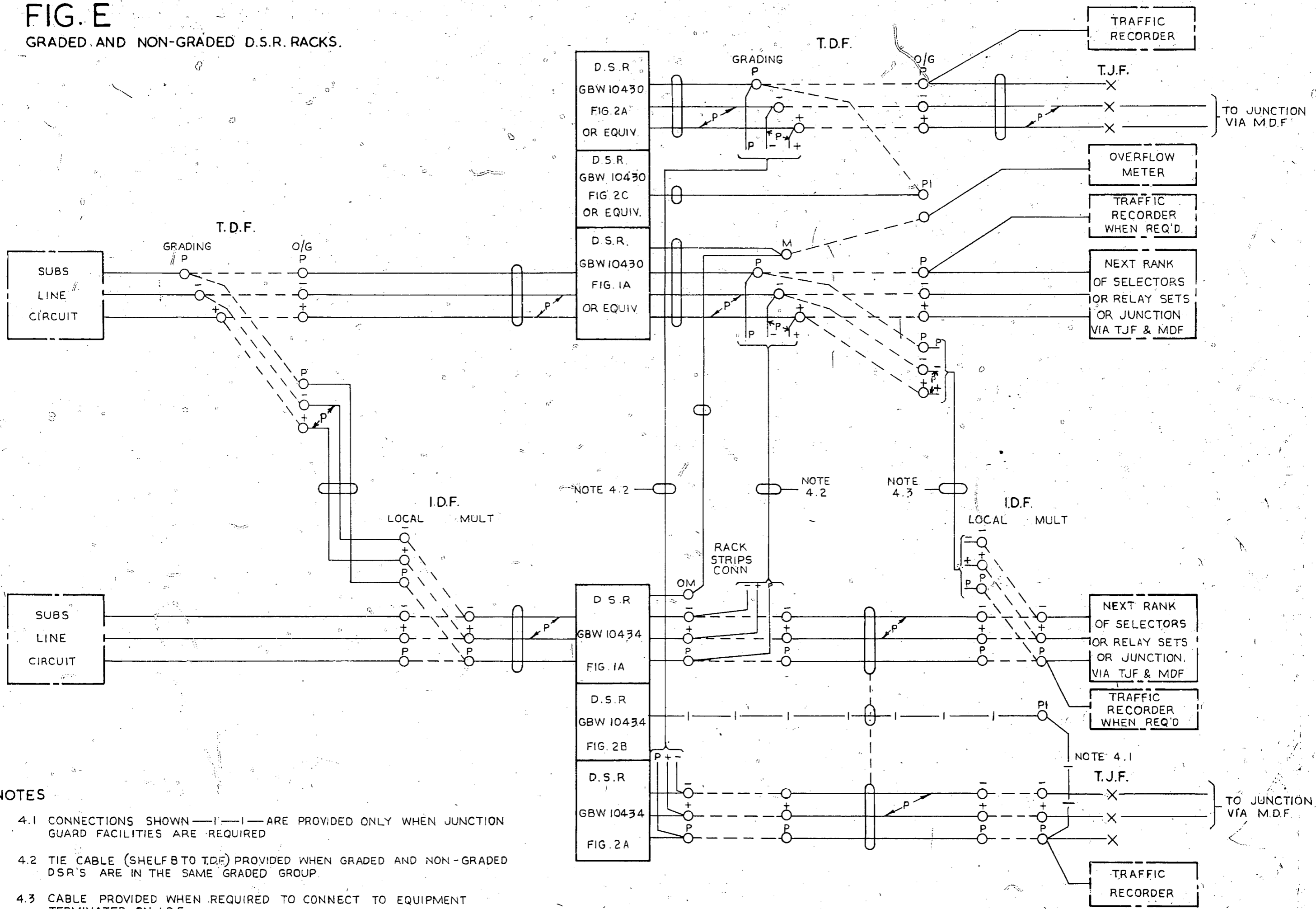
NOTES:

- 3.1 CONNECTIONS SHOWN — | — | — ARE PROVIDED ONLY WHEN JUNCTION GUARD FACILITIES ARE REQUIRED.
- 3.2 FOR MARKING OF THIS BLOCK SEE GBX 11070 FIG. J OR EQUIVALENT.

SELV LEVEL TRAFFIC RECORDER CONN ADDED WAS SHEET 3 OF 3 (4000)				8	12-2-71	B.S.H.	DISCRIMINATING SELECTOR REPEATER COIN BOX 200 OUTLET 2000 TYPE						
(21923)				7	8-4-70	RW							
AMENDMENT PARTICULARS				ISSUE	DATE	APPD							
N.Z.P.O.		DRAWN	CHECKED	WIRING CIRCUIT		GBX	<table border="0"> <tr> <td>0430</td> <td>0433</td> </tr> <tr> <td>0431</td> <td>0434</td> </tr> <tr> <td>0432</td> <td></td> </tr> </table>	0430	0433	0431	0434	0432	
0430	0433												
0431	0434												
0432													
							SHEET 3-4						

# FIG. E

GRADED AND NON-GRADED D.S.R. RACKS.



## NOTES

- 4.1 CONNECTIONS SHOWN ARE PROVIDED ONLY WHEN JUNCTION GUARD FACILITIES ARE REQUIRED
- 4.2 TIE CABLE (SHELF B TO T.D.F) PROVIDED WHEN GRADED AND NON-GRADED DSR'S ARE IN THE SAME GRADED GROUP.
- 4.3 CABLE PROVIDED WHEN REQUIRED TO CONNECT TO EQUIPMENT TERMINATED ON I.D.F.
- 4.4 I.D.F & T.D.F BLOCK LAYOUTS & MARKING AS ON SHEETS 1,2,&3 AS APPLICABLE.

				DISCRIMINATING SELECTOR REPEATER COIN BOX 200 OUTLET 2000 TYPE			
				(4999)	8	12-2-71	B.S.H
AMENDMENT PARTICULARS				ISSUE	DATE	APPD	E
N.Z.P.O.				CHECKED	DRAWN	WIRING	CIRCUIT
				GBX 10430 10433 10431 10434 10432		SHEET 4-4	