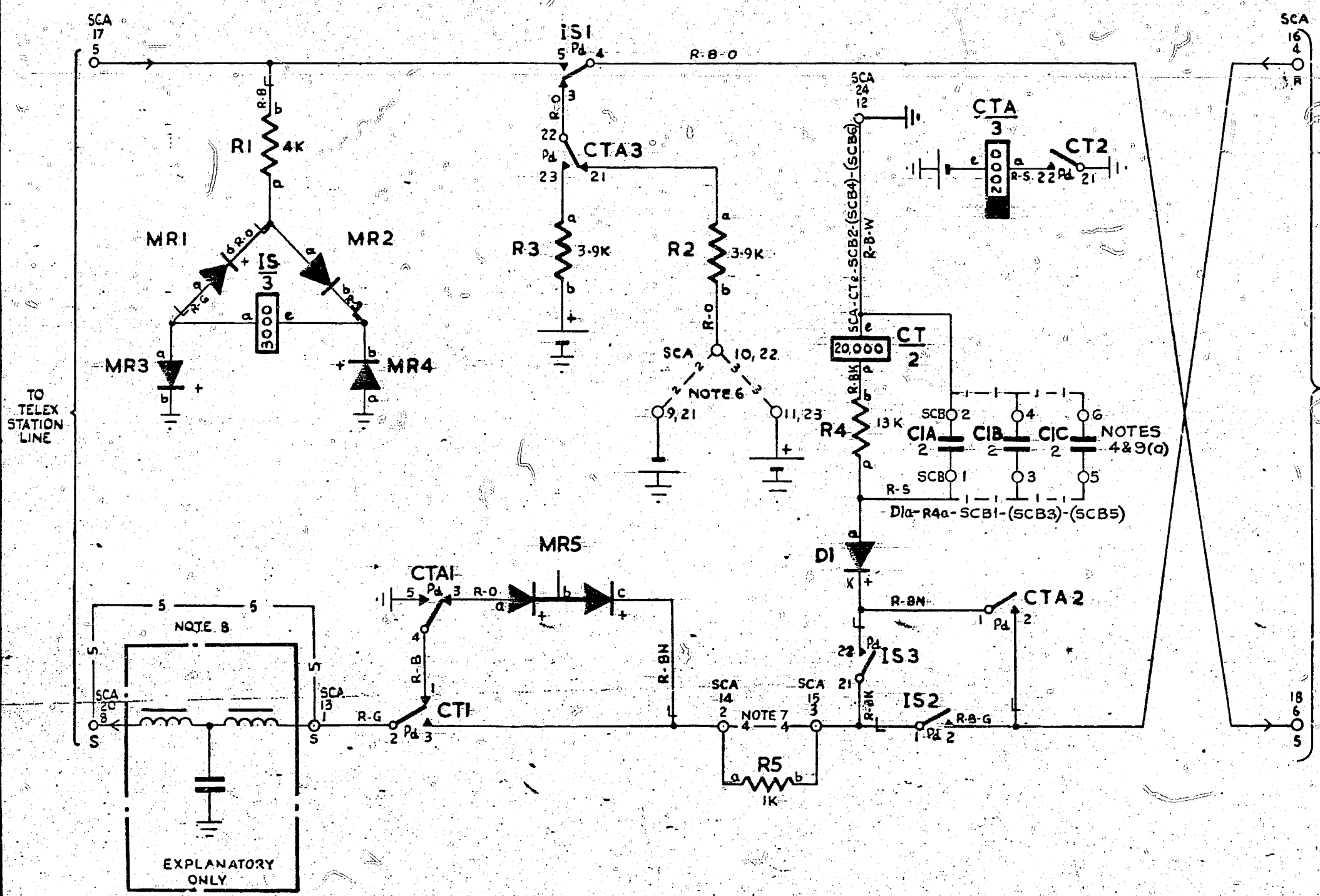
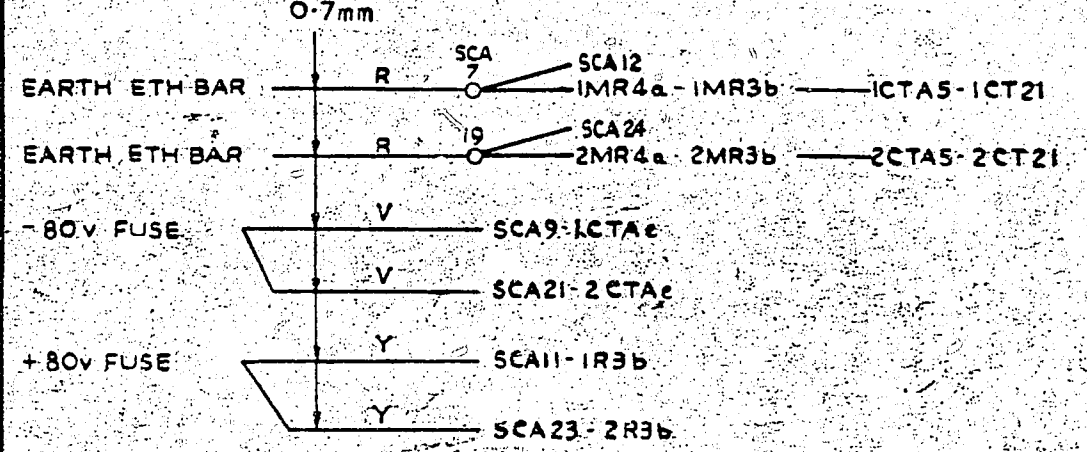


5 Centimeters
 10
 15
 20
 25
 30



- NOTES**
- 1 FUSING 0.5 AMP PER 2 CCTS.
 - 2 ALL WIRING TO BE 0.5mm UNLESS OTHERWISE SPECIFIED.
 - 3 NO POSITIVE OR NEGATIVE BIAS MUST BE CONNECTED TO THE OUT STATION V/F MODULATORS OF CIRCUITS USED WITH THIS UNIT
 - 4 CONNECT AS REQUIRED TO OBTAIN CORRECT RELEASE LAG RANGE FOR RELAY CT.
 - 5 → INDICATES DIRECTION OF TRANSMISSION
 - 6 WHEN CONNECTED TO AUTO TELEX EXCH OR AUTO SUB CENTRE VIA V/F CCT. ADD STRAP -2-2-. WHEN CONNECTED TO MANUAL TELEX SWITCHBOARD VIA V/F CCT. ADD STRAP -3-3-
 - 7 FOR STATION LINES EXCEEDING 2K OHMS LOOP RESISTANCE ADD STRAP SHOWN -4-4-. FOR STATION LINES LESS THAN 2K OHMS LOOP RESISTANCE OMIT STRAP SHOWN -4-4-
 8. WHEN LINE FILTER IS NOT REQUIRED ADD STRAP -5-5-
 9. ON SOME EARLY EQUIPMENT:-
 (a) SCB WAS NOT FITTED AND CIA, CIB, CIC CONSISTED OF A SINGLE UNIT 2+2+2 μf CAPACITOR CI WITH TAGS a-b, c-d, e-f.
 (b) -80V WIRING WAS BK AND +80V WIRING WAS O.



				AUTOMATIC TELEX SYSTEM			
				PANEL TELEGRAPH			
				N.Z. No. 103A			
				V.F. STATION LINE RELAY UNIT			
				GEO-THERMAL AREAS			
CI CHANGED. SCB & NOTE 9 ADD.		(55767)	2	23-12-67	MW		
		(81461)	1	27-10-67	AM		
AMENDMENT PARTICULARS				ISSUE	DATE	APP'D	REF
				GBW 17150	SIZE	5	80/5
NZPO		DRAWN		CHECKED		WIRING	
						GBW 19490	