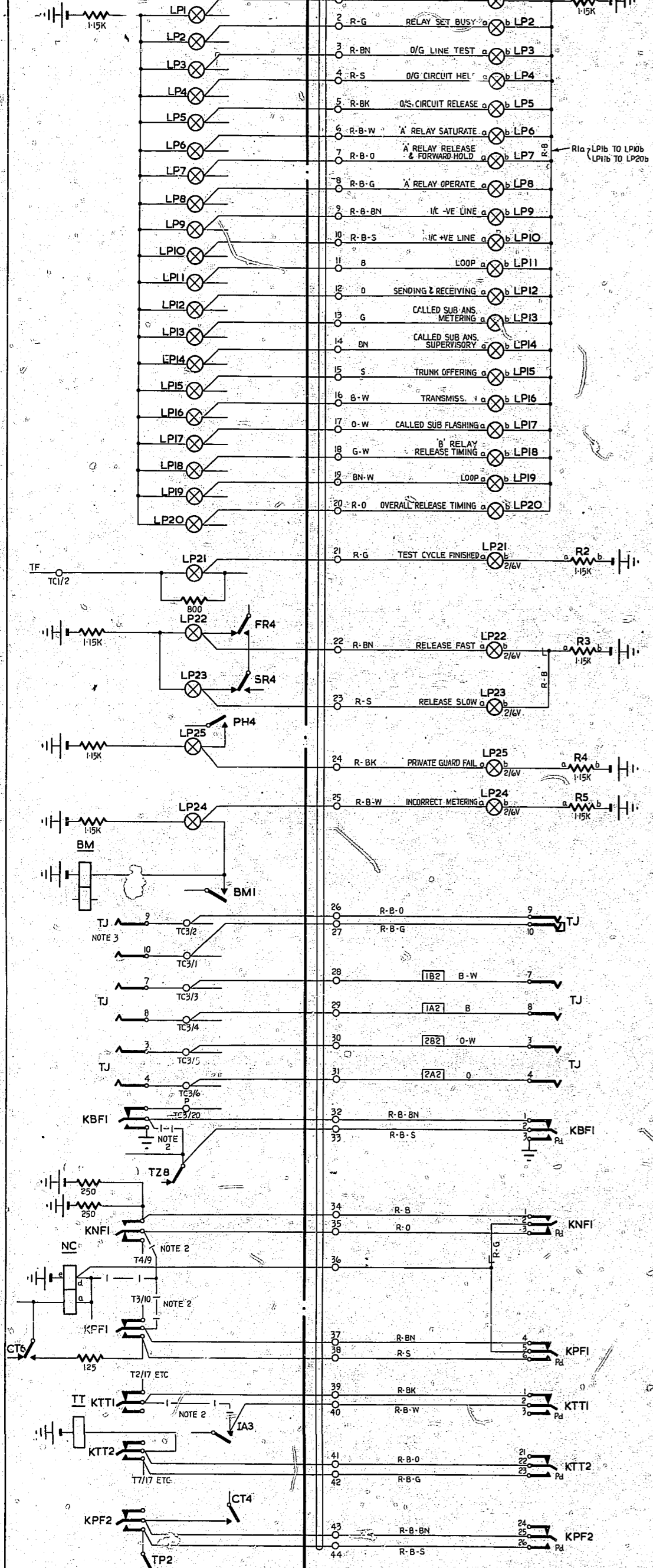
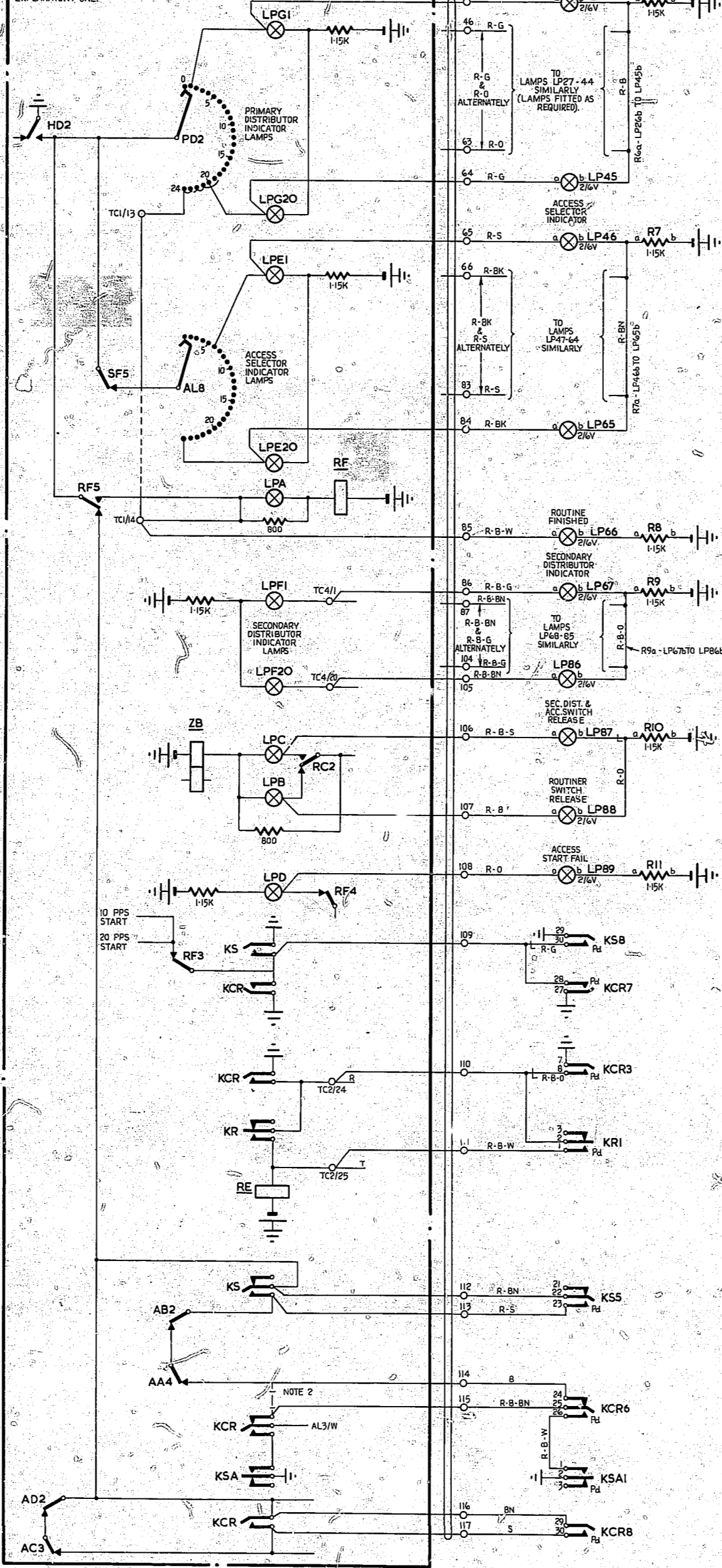


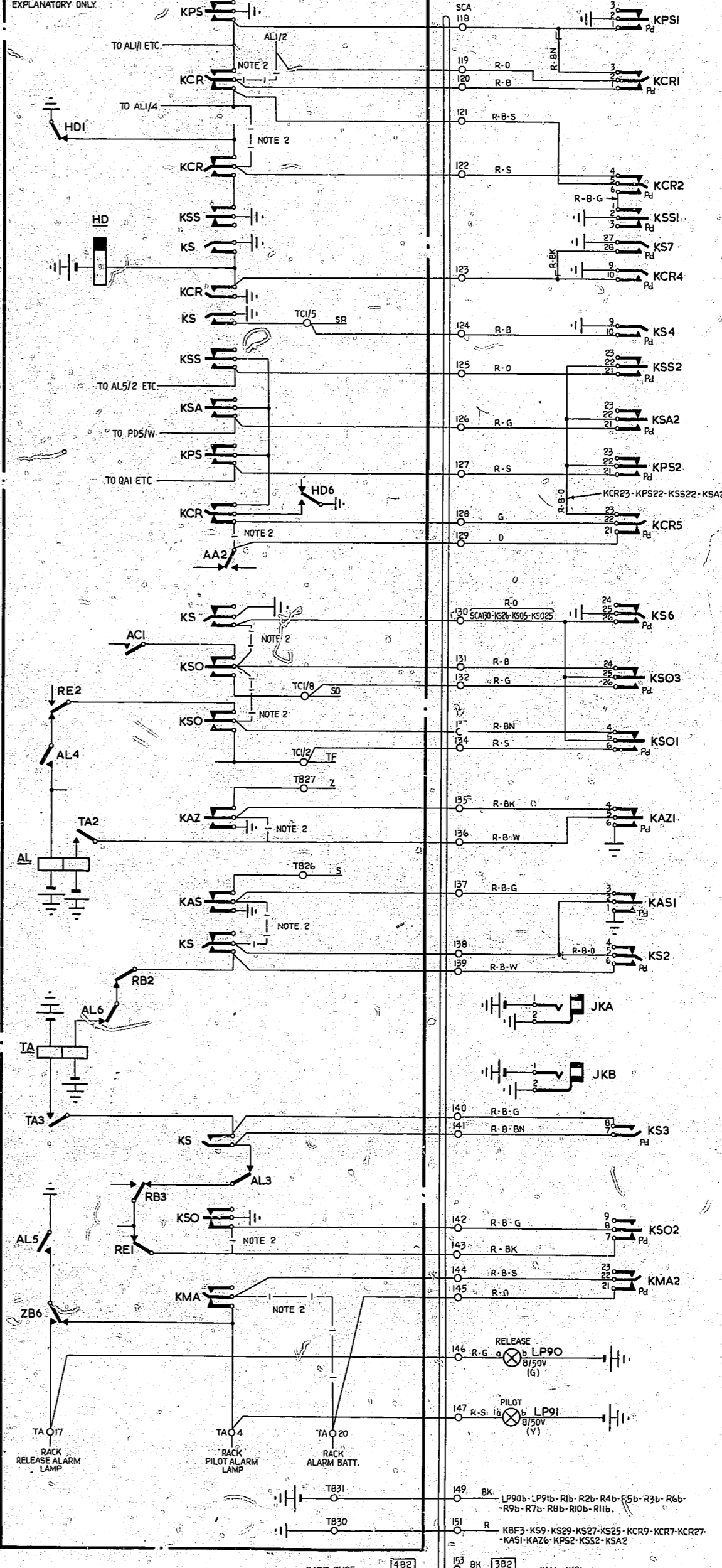
**PART OF
AUTO-AUTO RELAY SET ROUTINER TEST UNIT**
GBW12520 OR EQUIV.
EXPLANATORY ONLY



**PART OF
AUTO-AUTO RELAY SET ROUTINER ACCESS CONTROL CIRCUIT**
GBW1490 OR EQUIV.
EXPLANATORY ONLY



**PART OF
AUTO-AUTO RELAY SET ROUTINER ACCESS CONTROL CIRCUIT**
GBW1490 OR EQUIV.
EXPLANATORY ONLY



- NOTES**
1. FUSING: RESISTORS AND ALARM LAMPS FUSED WITH ASSOCIATED TEST AND ACCESS CONTROL UNITS. BATTERY JACKS FUSED WITH BATTERY JACKS ON ASSOCIATED UNITS.
 2. WHEN THIS DUPLICATE DISPLAY PANEL IS PROVIDED, CONNECTIONS SHOWN IN T1 TO T10 ON THE ASSOCIATED TEST UNIT AND ACCESS CONTROL UNIT MUST BE DISCONNECTED.
 3. WHEN THIS DUPLICATE DISPLAY PANEL IS PROVIDED, THE LINK WHICH IS NORMALLY IN T9 & 10 ON THE ROUTINER TEST UNIT, MUST BE REMOVED.
 4. THE CABLED LEADS FROM THE DISPLAY PANEL ARE TO BE TERMINATED ON THE TEST UNIT AND ACCESS CONTROL UNIT POINTS AS ACTUALLY INDICATED.
 5. ALL WIRING NOT OTHERWISE SPECIFIED TO BE 25 SW.G.

PRIM STEP (KPS)	SEC STEP (KSS)	ACC STEP (KSA)	RESET (KR)	STEP ON (KSO)	START (KS)	MAIN ALM (KMA)	CONT RTE (KCR)	ALM TEST S (KAS)	ALM TEST Z (KAZ)	-VE FAULT IMITATION (KNF)	+VE FAULT IMITATION (KPF)	DISY FAULT IMITATION (KBF)	TRANSMISSION TEST (KTT)	TJ
2	2	2	2	4	8	2	8	2	2	2	2	2	2	12

KR2 23 22 21 KSO4 27 26 25 KS1 1 2 3 KMA1 1 2 3 KAS2 23 22 21 KAZ2 24 25 26 KNF2 21 22 23 KBF2 23 22 21 TJ 1 2 3 4 5 6 7 8 9 10 11 12

BATT. FUSE 14B2 EARTH ETH-BAR 14A2 JKAI - JKBI JKA2 - JKB2 22 SW.G.

AMENDMENT PARTICULARS ISSUE DATE APPR SIZE X SDY E

ROUTINER DUPLICATE DISPLAY FOR AUTO-AUTO RELAY SETS GEO-THERMAL AREAS GBW 19450