

FIG 1
B/W LINES TO AUTO (SERVICE CONNECTION) & NIGHT ALARM SUPERVISOR'S DESK OR ASSISTANT SUPERVISOR'S DESK

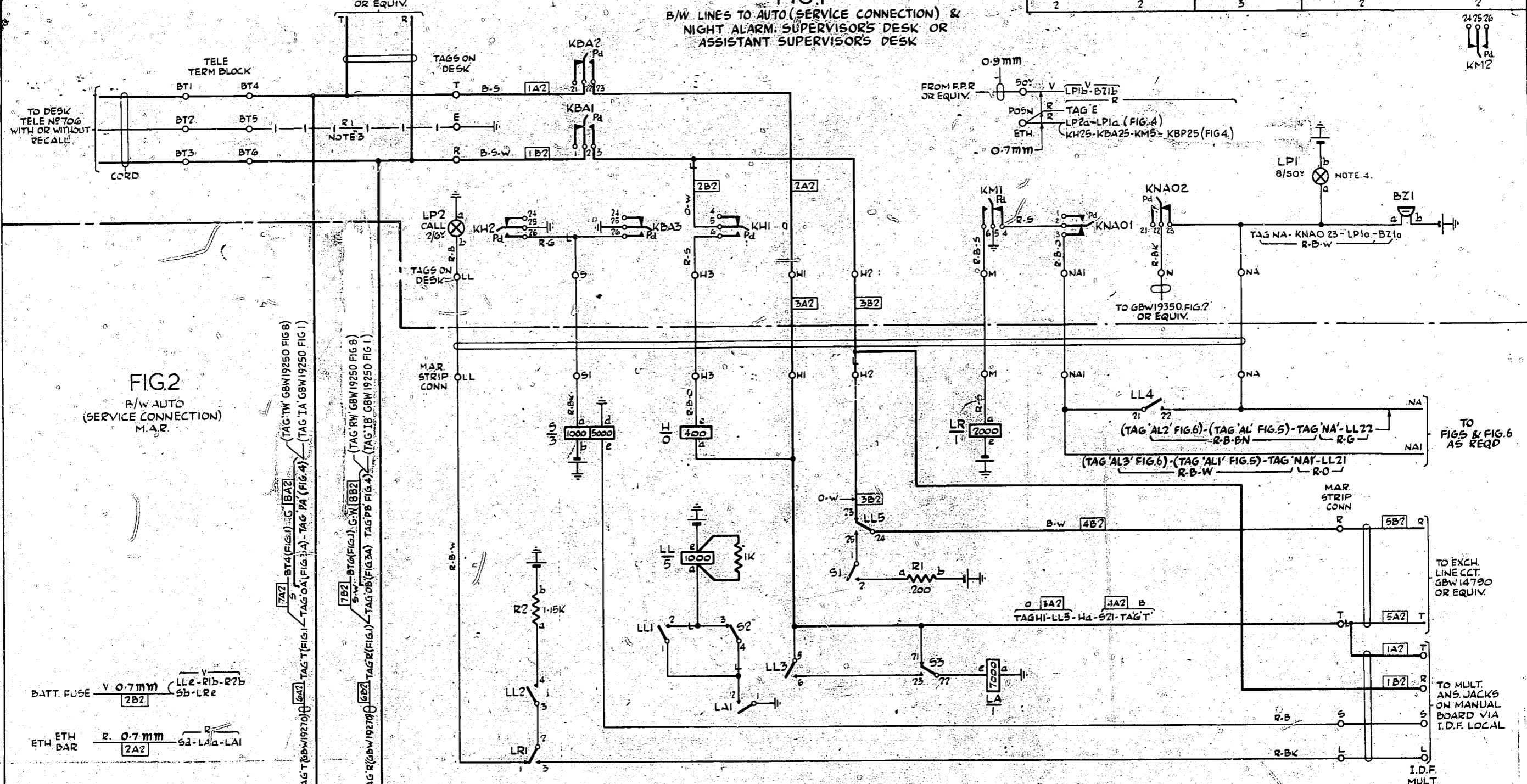


FIG 2
B/W AUTO (SERVICE CONNECTION) M.A.R.

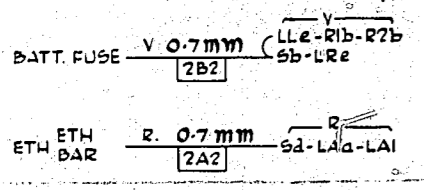
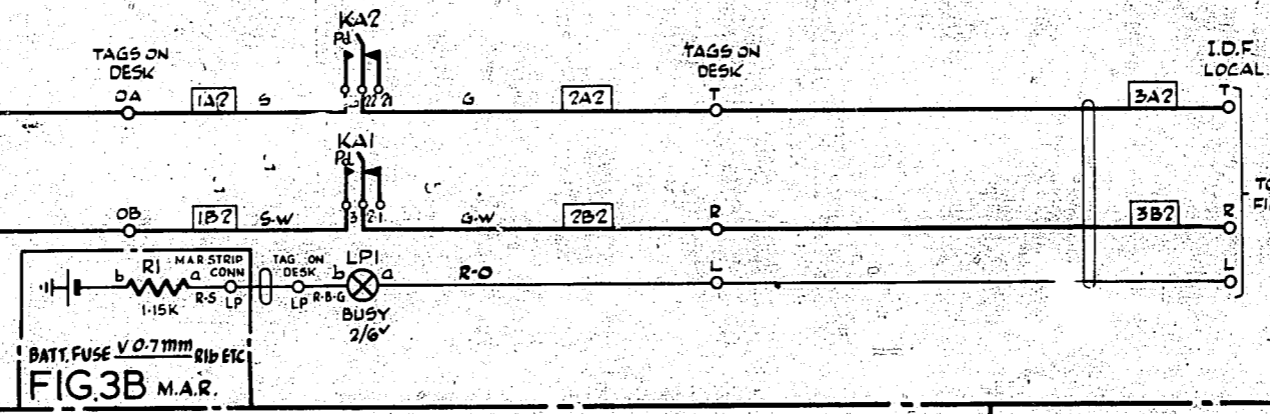


FIG 3A
ORDER WIRE CIRCUIT SUPERVISOR'S DESK



POSITION DIALLING (KA)
2

- NOTES:**
- FUSE: FIG 1: 15A PER CIRCUIT
FIG 2: " " " 10 CIRCUITS
FIG 3: " " " CIRCUIT
FIG 4: " " " CIRCUIT
 - ALL WIRING TO BE 0.5mm UNLESS OTHERWISE SPECIFIED.
 - WHEN TELE. NO 706 IS PROVIDED WITH RECALL FACILITY (RECALL BUTTON ON TELEPHONE) PROVIDE CONNECTION SHOWN -1-
 - DELETED
 - ON SOME EARLY EQUIPMENT LPI. FIG. 1 IS 50V/15W AND BATTERY WIRING IS BK OR W.

FIG 4
B/W LINES TO AUTO SUPERVISOR'S DESK
N.Z.P.O. GSI. TYPE OR EQUIV. EXCHANGE LINES.

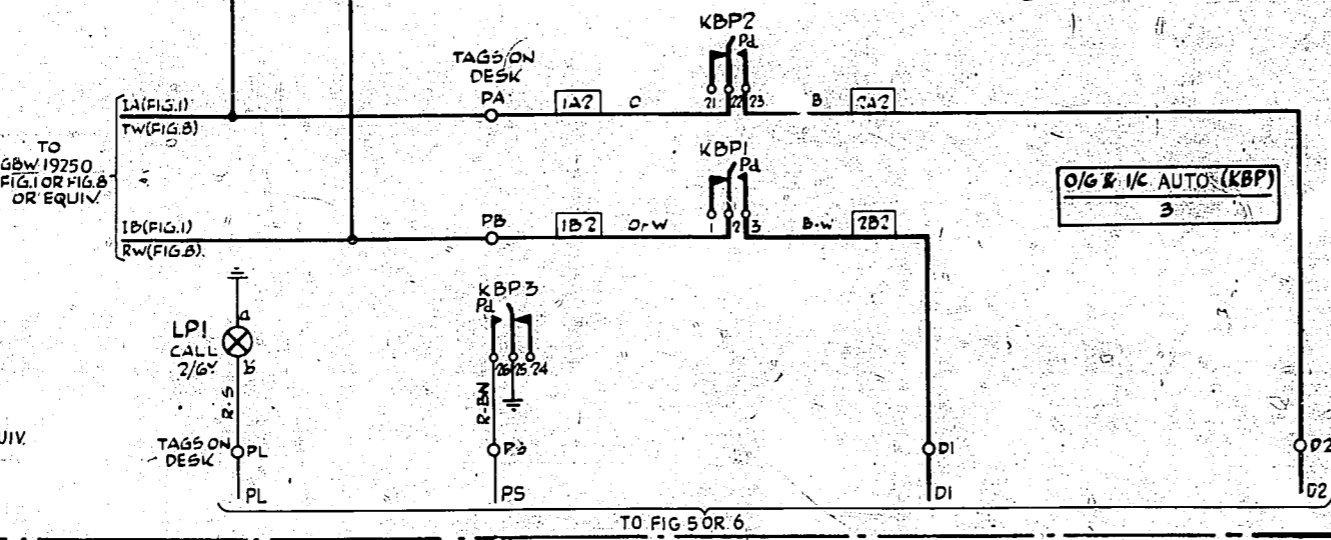


FIG 5
B/W LINES TO AUTO. M.A.R. N.Z.P.O. GSI. TYPE OR EQUIV. EXCHANGE LINES.

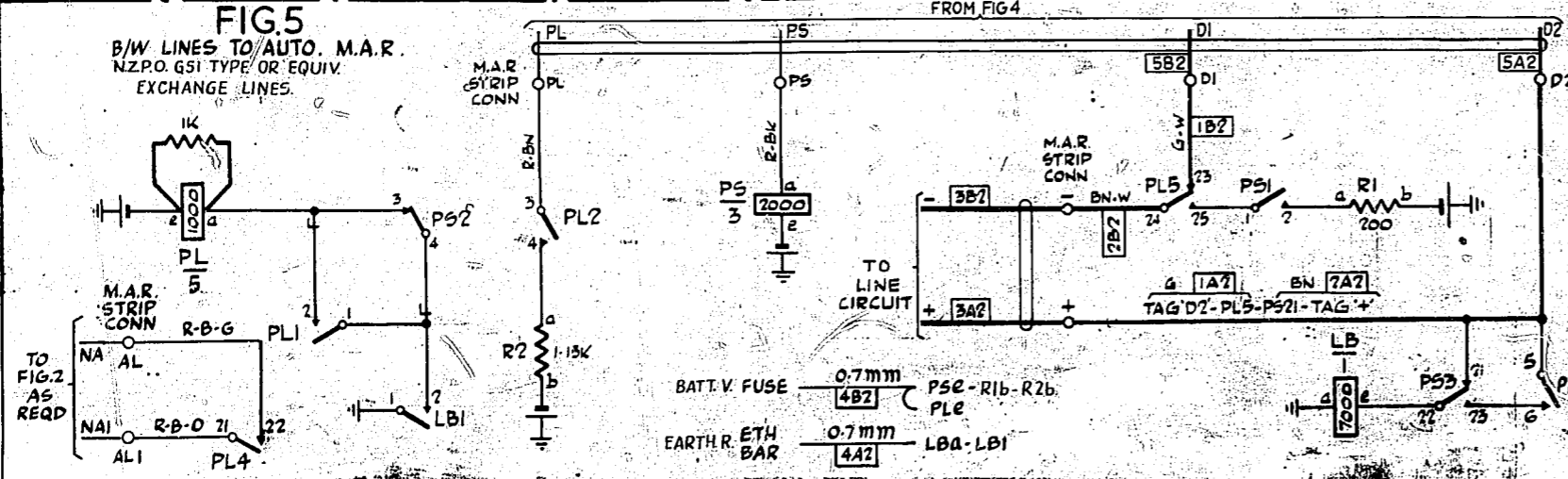
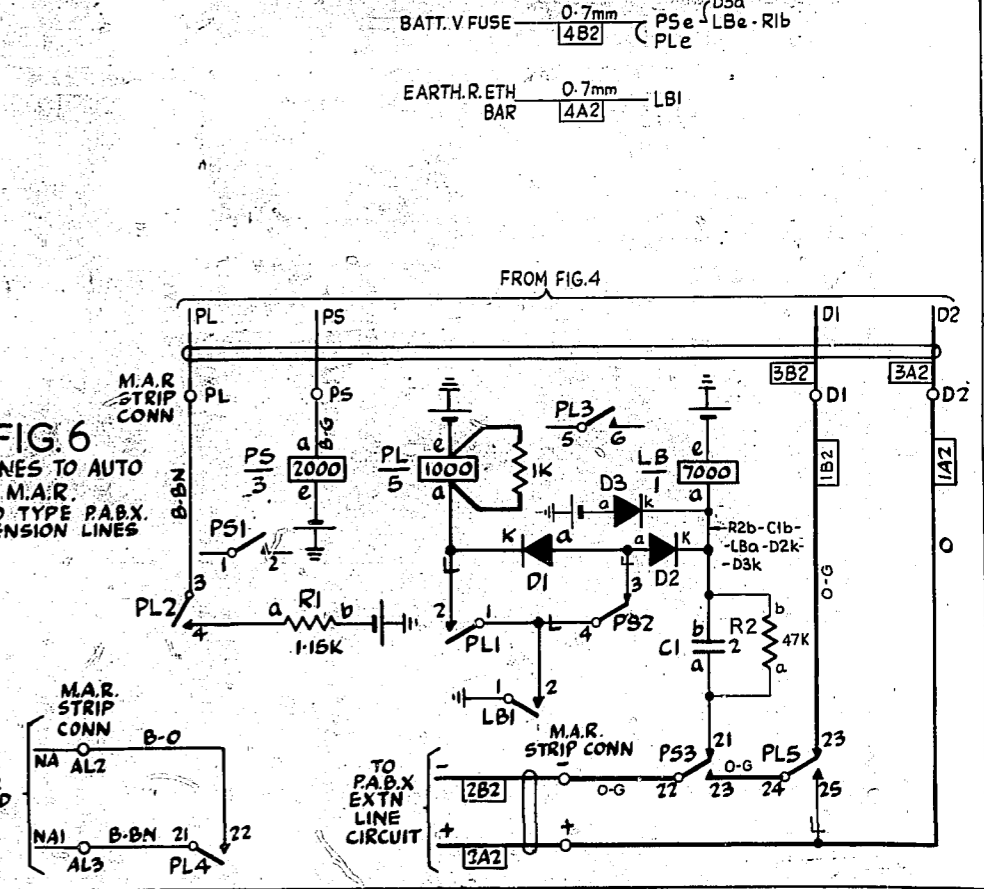


FIG 6
B/W LINES TO AUTO M.A.R. N.Z.P.O. TYPE PABX EXTENSION LINES



WIRING OF KNA01 & KNA02 AMD. (NZM:TH)	(176894)	4C	27.3.74	RED
D3: ADDED TO FIG 6.	(22859)	4B	30.4.74	BSK
D2 AND R2: ADDED TO FIG 6.	(2369)	4A	21.11.72	BSH
FIG 6 WAS FIG 7. ORIGINAL FIG 6 DELETED	(34366)	4	14.3.72	BSH
FIG 5 WAS 5A258. FIGS 6 & 7 ADDED. NOTES AMENDED		3		
FIG 5 SUB-DIVIDED. NOTES 4 & 5 ADDED		2		
		1		
AMENDMENT PARTICULARS				
ISS DATE APPR REF: GBW.16360. SIZE M 50Y E				