

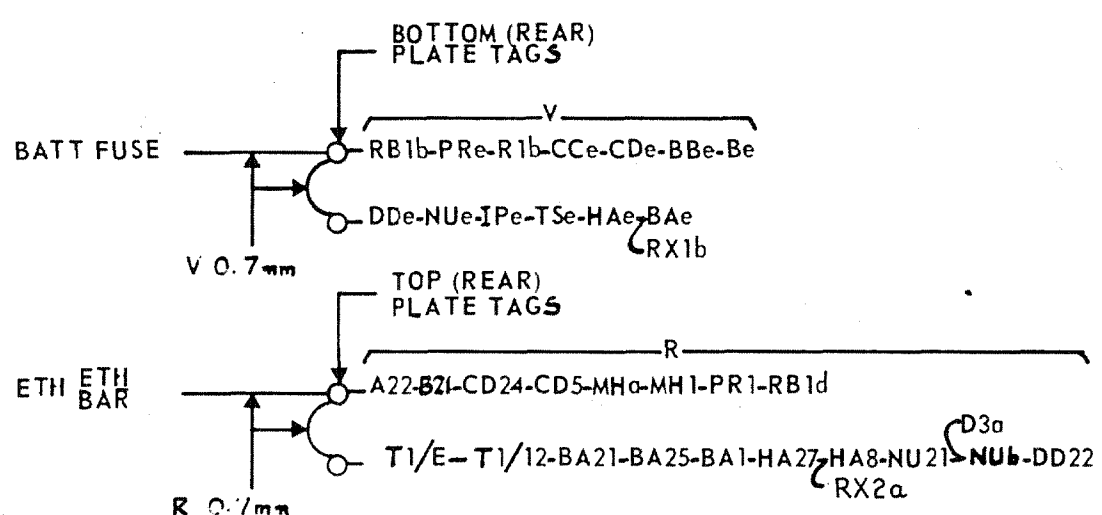
FROM GROUP SELECTOR LEVEL '0' GBW15960 OR EQUIV.

FROM GROUP SELECTOR LEVEL '1' GBW15960 OR EQUIV.

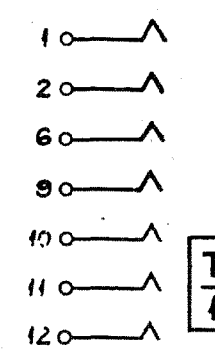
TO I/C JUNCTION RELAY SET GBW16880 OR EQUIV.

I.D.F. LOCAL

TO C.A.X. B/W JUNC. VIA I.D.F. MULT. AND M.D.F.



- NOTES:-
1. FUSEH, 5A PER CIRCUIT.
 2. ϕ FOR WIRING SEE GBW13730 OR EQUIV.
 3. ALL WIRING TO BE 0.5 mm² UNLESS OTHERWISE SPECIFIED.
 4. PRIOR TO ISSUE 3, METRIC WIRE SIZES WERE NOT SHOWN.



A1
A2

DRN	BN/TC	ENG
TR	APPROVED	MTH
CHK	B.P.	DRFT
ENG	DEPT.	

AMENDED TO NZM W.C. RX2 ADDED	(42332)	3A	17-284	GCG
T.J. WAS AN 8 SPRING JACK. NOTE 4 ADDED.	(30130)	3	16-127	B.S.-H.
D4 & D5 ADDED, CC RELAY CHANGED.	(39480)	2	20-771	B.S.-H.
		1		
AMENDMENT	ISS	DATE	APPD	

TOLERANCES (UNLESS OTHERWISE STATED)	MATERIAL	FINISH	REF.
THREE PLACE DEC. DIMS			
TWO PLACE DEC. DIMS			
FRACTIONAL DIMENSIONS	TITLE	U.A.X. NZ 13 FULL FACILITY O/G JUNCTION RELAY SET 2000 TYPE (PULSE GENERATION TYPE)	
OTHER REQUIREMENTS TO E.S.15.			
	NZPO	SIZE	GBW 16910