

- NOTES:-
- 11 FOR FUSE DETAILS SEE ASSOCIATED ACCESS CONTROL UNIT DIA GBW 11230 OR EQUIV.
 - 12 DISCRIMINATING LEADS ARE EARTHED AT THE VERTICAL BANK OF THE ACCESS SELB - THE DISCRIMINATING LEAD FOR EACH CLASS OF SELB AND SERVICE IS AS FOLLOWS - DA10/10 SELB (OPERATES RELAY 'DY')
 - 13 FOR WIRES FROM 'TC' ROW ONE ON TEST UNIT TO 'TC' ROW ONE ON CONTROL UNIT - SEE ASSOCIATED ACCESS CONTROL UNIT DIA GBW 11230 OR EQUIV.
 - 14 RELAY TEST RESISTOR YY & YZ ARE CORRECT FOR 49.5 VOLTS AT THE EQUIPT UNDER TEST
 - 15 ALL WIRES TO BE 0.5mm UNLESS OTHERWISE SPECIFIED.
 - 16 Ø FOR WIRING SEE GBW 11560 OR EQUIV.
 - 17 THIS DIAGRAM MAY BE USED FOR CONVERTING EQUIPMENT MADE TO GBW 11220 WHEN IT IS REQUIRED TO REPLACE THERMIONIC VALVE TONE DETECTOR BY A TRANSISTORIZED TONE DETECTOR NOT REQUIRING A POSITIVE BATT. SUPPLY.

NOT TO BE USED FOR NEW WORK.

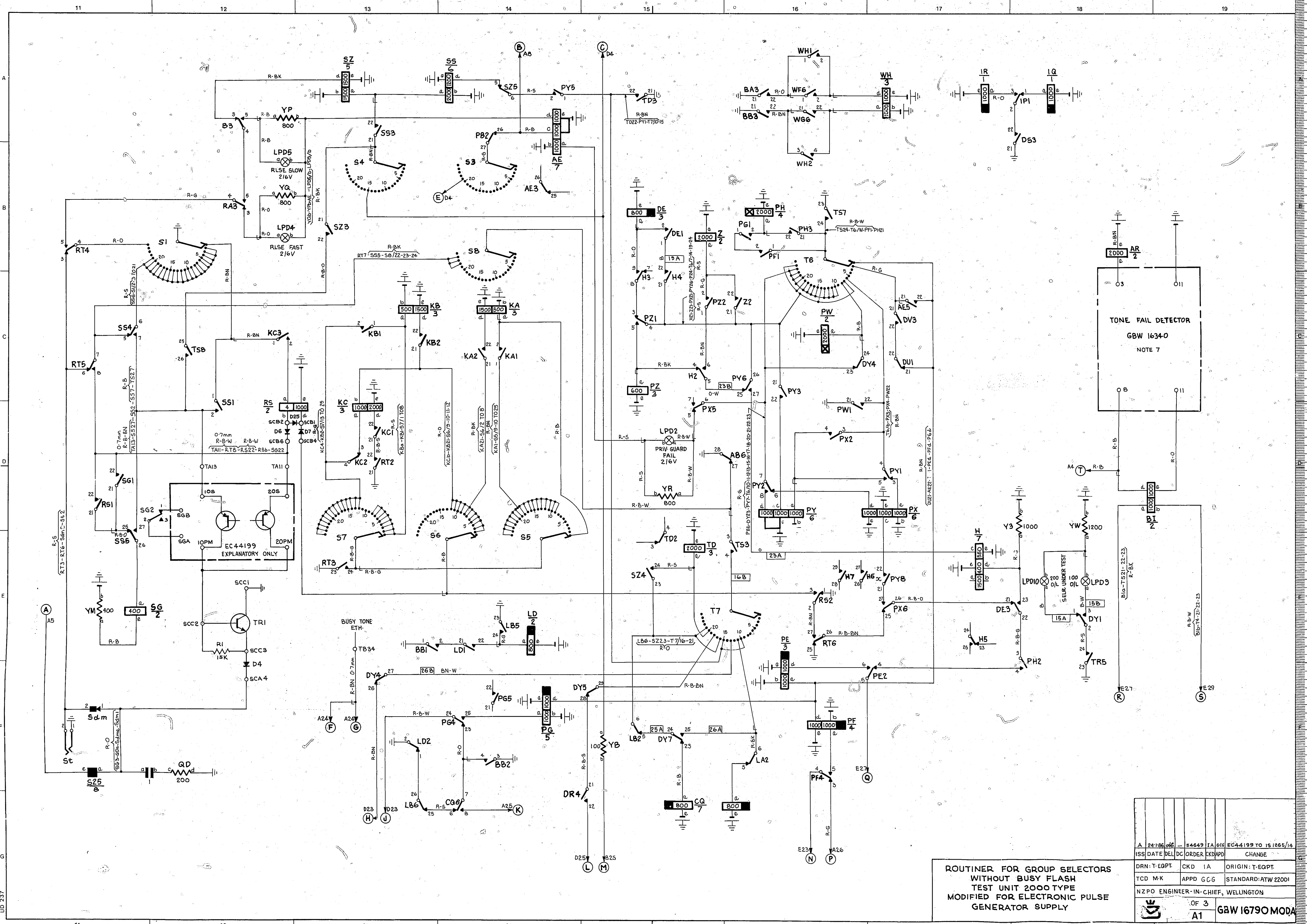
ISS DATE	DEL DC	ORDER CKD/APP	CHANGE
24/1/66		54649 JA	SCS EC 44199 TO 16 1265/14
DRN: T-EQPT	CKD: JA	ORIGIN: T-EQPT	
TCO: M-K	APPD: GCG	STANDARD: ATW 22001	
NZPO ENG:	N-CHIEF, WELLINGTON		
SIZE: A1	3F 3	GBW 16790 MODA	

ROUTINER FOR GROUP SELECTORS WITHOUT BUSY FLASH TEST UNIT 2000 TYPE MODIFIED FOR ELECTRONIC PULSE GENERATOR SUPPLY

UD 237

50V G

5 CENTIMETRE

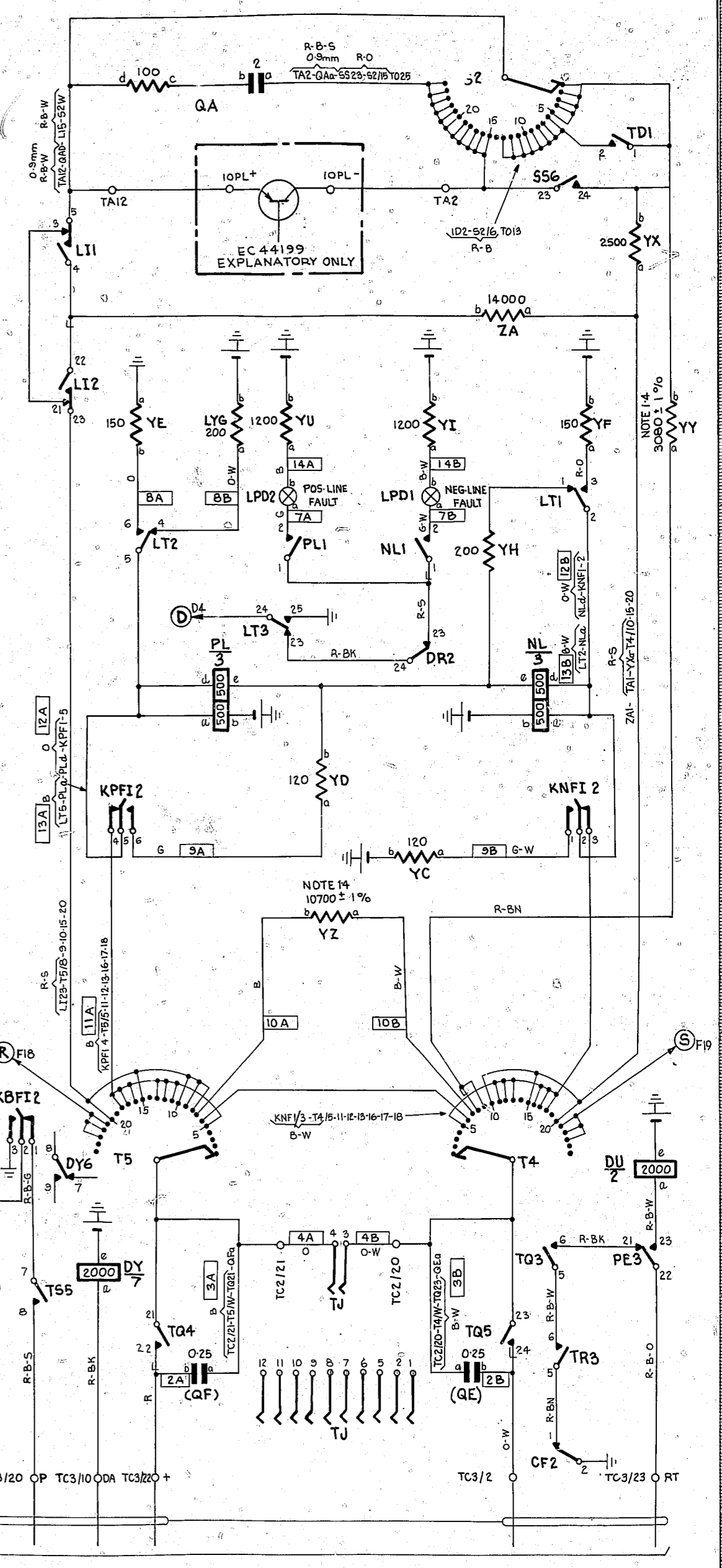
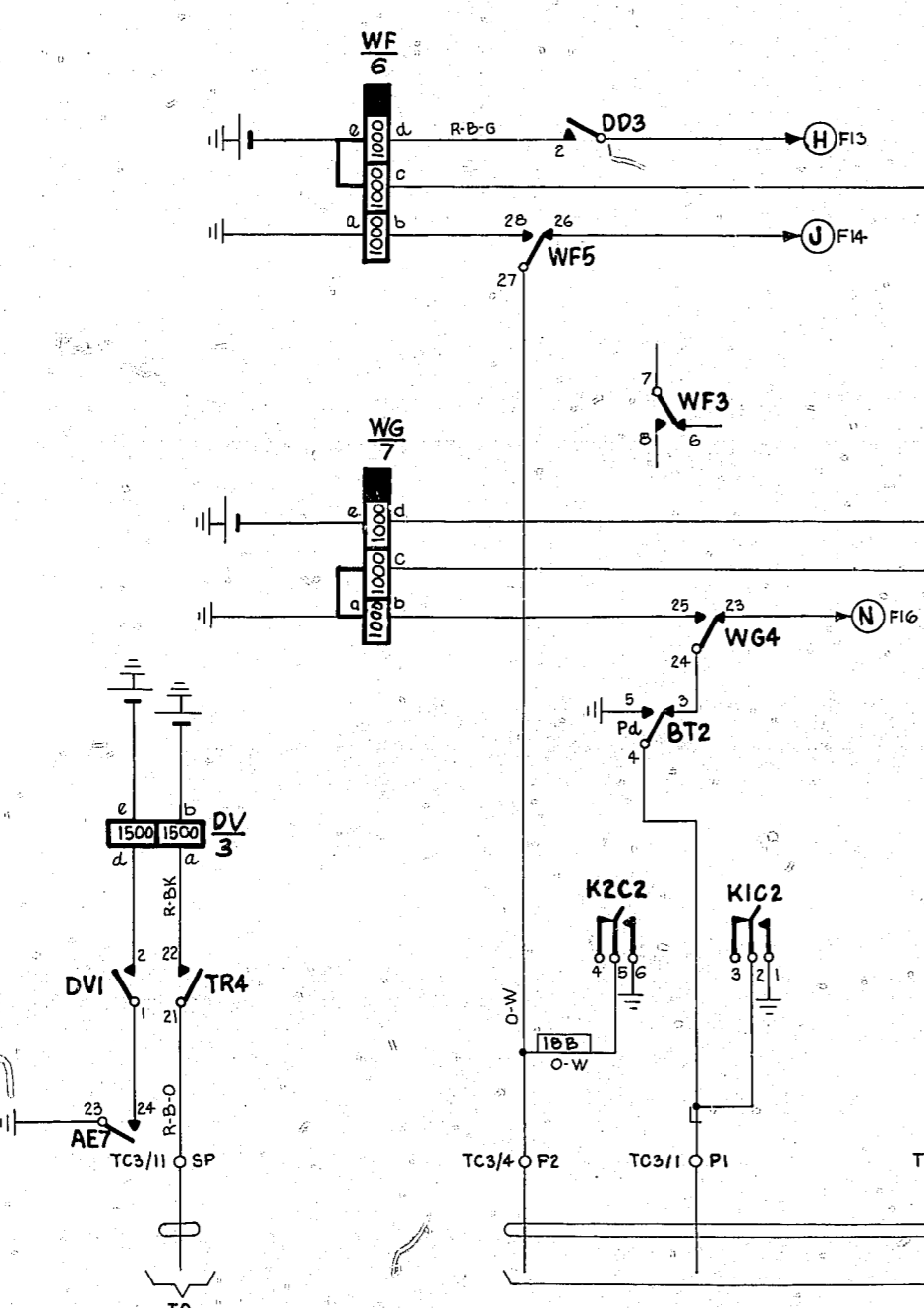
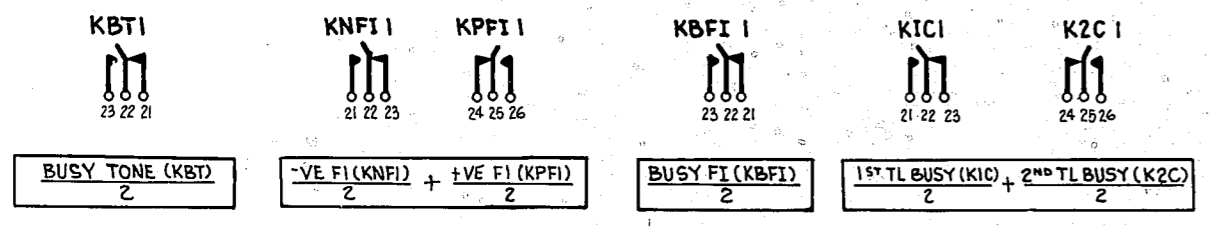
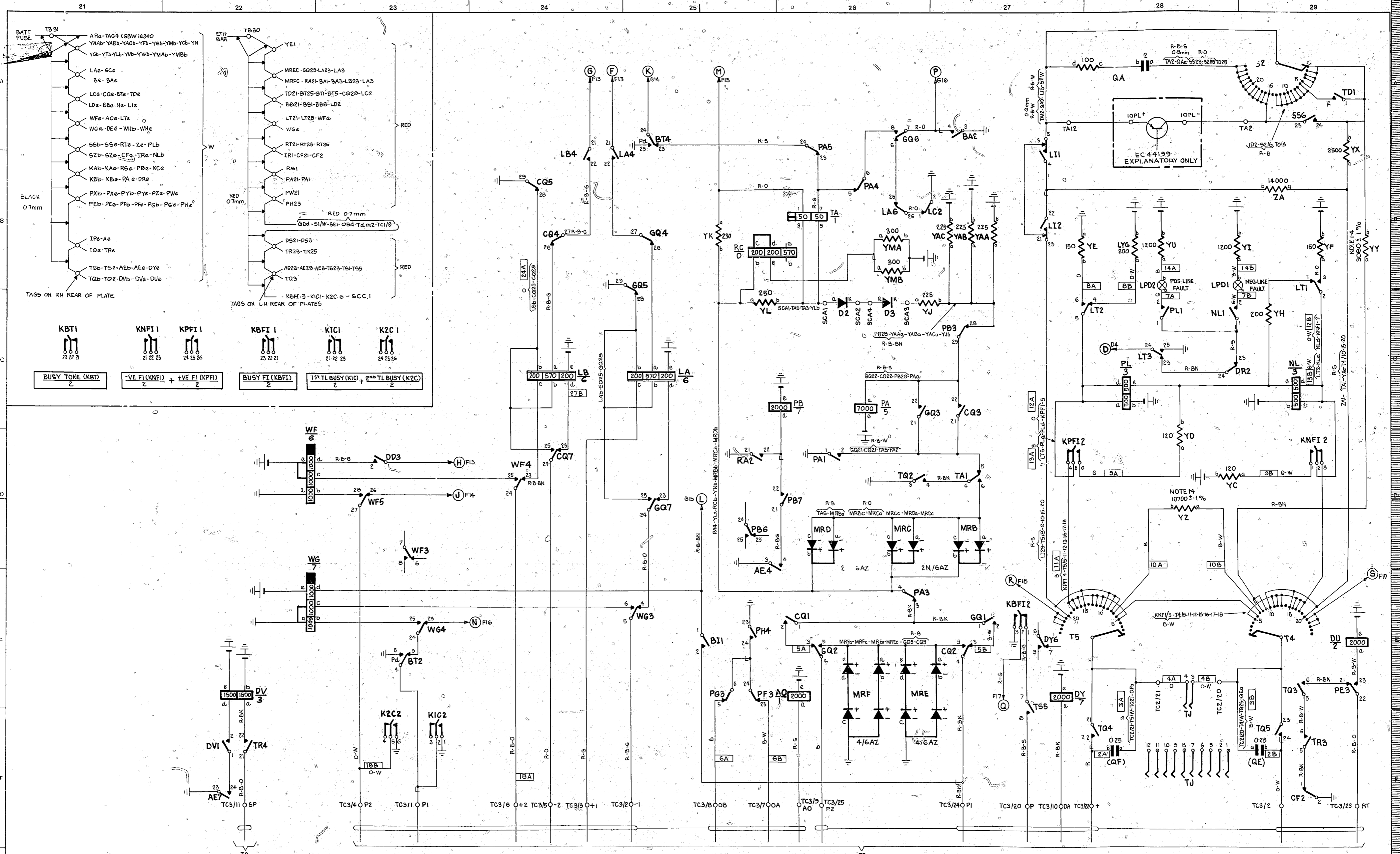


ROUTINER FOR GROUP SELECTORS
WITHOUT BUSY FLASH
TEST UNIT 2000 TYPE
MODIFIED FOR ELECTRONIC PULSE
GENERATOR SUPPLY

ISS	DATE	DEL	DC ORDER	CKD	APPD	CHANGE
DRN	T-EQPT	CKD	IA	ORIGIN	T-EQPT	
TCD	M-K	APPD	G-C	STANDARD	ATW 22001	
NZPO ENGINEER-IN-CHIEF, WELLINGTON						
OF 3						
A1						GBW 16790 MODA

UID 237

5 CENTIMETRE



ISS	DATE	DEL	DC	ORDER	CKD	APP	CHANGE
DRN	T-EQPT	CKD	LA	ORIGIN	T-EQPT		
TCD	M-K	APPD	GCG	STANDARD	ATW22001		
NZ PO	ENGINEER-IN-CHIEF,	WELLINGTON					
OF 3							
A1							GBW 16790 MOD A

ROUTINER FOR GROUP SELECTORS
WITHOUT BUSY FLASH
TEST UNIT 2000 TYPE
MODIFIED FOR ELECTRONIC PULSE
GENERATOR SUPPLY

5 CENTIMETRE

UD 237