

EXPLANATORY ONLY

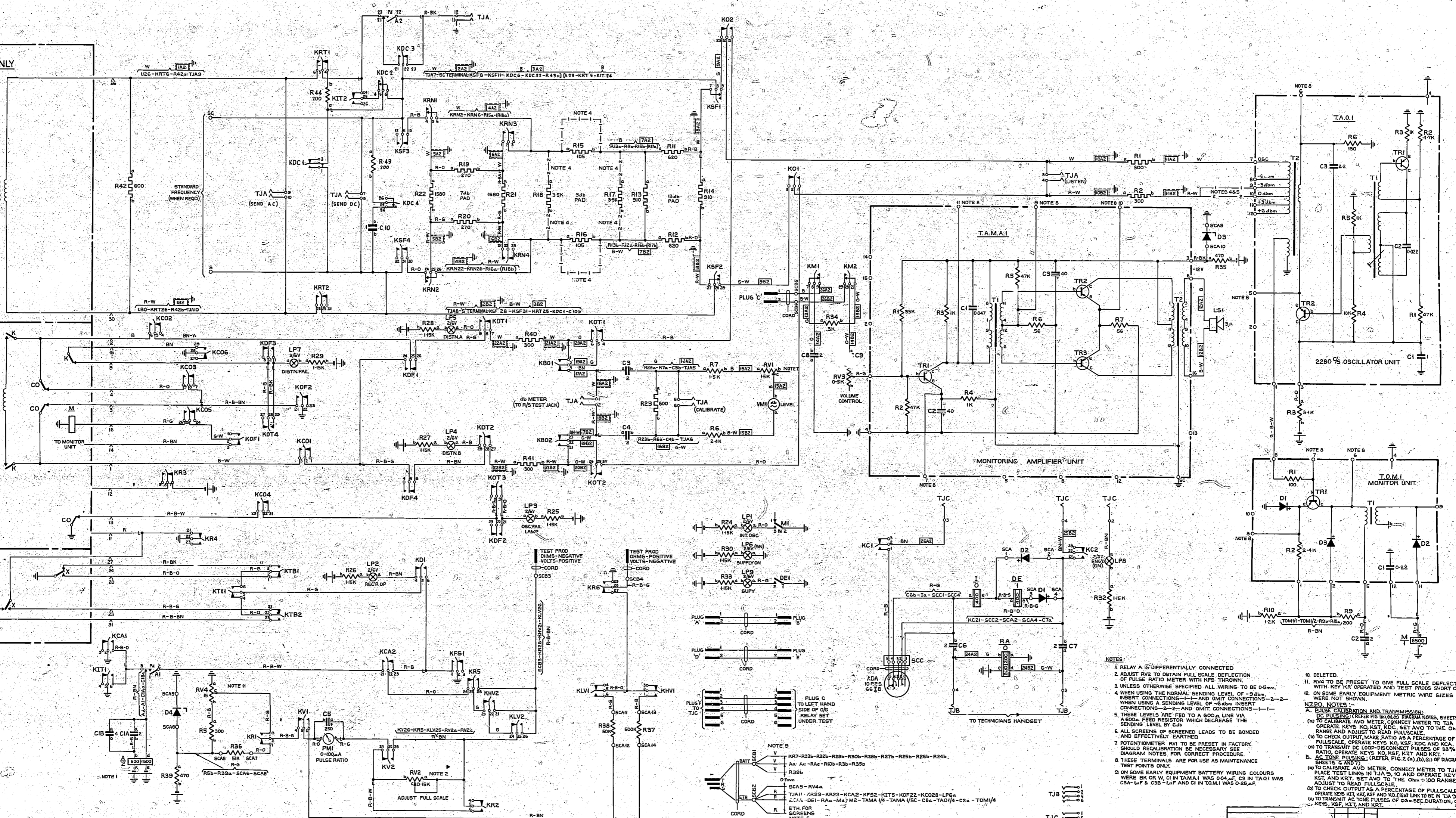
PART OF RECEIVER ON TRUNK CIRCUIT

EXPLANATORY ONLY

PART OF OSCILLATOR CIRCUIT

EXPLANATORY ONLY

PART OF TRUNK CIRCUIT RECEIVER OUTPUT



- NOTES:
- 1 RELAY A IS DIFFERENTIALLY CONNECTED
 - 2 ADJUST RV2 TO OBTAIN FULL SCALE DEFLECTION OF PULSE RATIO METER WITH KFS THROWN
 - 3 UNLESS OTHERWISE SPECIFIED ALL WIRING TO BE 0.5mm
 - 4 WHEN USING THE NORMAL SENDING LEVEL OF -9.4db, INSERT CONNECTIONS-1-1 AND OMIT CONNECTIONS-2-2 WHEN USING A SENDING LEVEL OF -6.4db, INSERT CONNECTIONS-2-2 AND OMIT CONNECTIONS-1-1
 - 5 THESE LEVELS ARE FED TO A 600Ω LINE VIA A 600Ω FEED RESISTOR WHICH DECREASES THE SENDING LEVEL BY 6db
 - 6 ALL SCREENS OF SCREENED LEADS TO BE BONDED AND EFFECTIVELY EARTHED
 - 7 POTENTIOMETER RV1 TO BE PRESET IN FACTORY. SHOULD RECALIBRATION BE NECESSARY SEE DIAGRAM NOTES FOR CORRECT PROCEDURE
 - 8 THESE TERMINALS ARE FOR USE AS MAINTENANCE TEST POINTS ONLY
 - 9 ON SOME EARLY EQUIPMENT BATTERY WIRING COLOURS WERE BK OR W, CI IN T.A.M.A.1 WAS 004, P3 IN T.A.O.1 WAS C3A-1, P4 & C3B-1, P4F AND CI IN T.O.M.1 WAS 0-25, P4F
 - 10 DELETED
 - 11 RV4 TO BE PRESET TO GIVE FULL SCALE DEFLECTION WITH KEY KR OR TEST PRODS SHORT CIRCUITED
 - 12 ON SOME EARLY EQUIPMENT METRIC WIRE SIZES WERE NOT SHOWN
- W.P.O. NOTES:
- A. PULSE CALIBRATION AND TRANSMISSION:
 (a) TO CALIBRATE AVO METER, CONNECT METER TO TJA 7, B AND OPERATE KEYS KO, KST, KDC AND KCA. SET AVO TO THE 0.1mV ± 100 RANGE AND ADJUST TO READ FULLSCALE.
 (b) TO CHECK OUTPUT MAKE RATIO AS A PERCENTAGE OF THE FULLSCALE. OPERATE KEYS KO, KSF, KDC AND KCA.
 (c) TO TRANSMIT DC LOOP-DISCONNECT PULSES OF 50% MAKE RATIO. OPERATE KEYS KO, KSF, KIT AND KRT.
- B. AC TONE PULSING: REFER FIG. 2 (a), (b), (c) OF DIAGRAM NOTES SHEETS G AND 7.
- (a) TO CALIBRATE AVO METER, CONNECT METER TO TJA 7, B PLACE TEST LINKS IN TJA 5, 10 AND OPERATE KEYS KO, KST, AND KRT. SET AVO TO THE 0.1mV ± 100 RANGE, AND ADJUST TO READ FULLSCALE.
 (b) TO CHECK OUTPUT AS A PERCENTAGE OF FULLSCALE OPERATE KEYS KIT, KSF AND KO (TEST LINK TO BE IN TJA 5, 10).
 (c) TO TRANSMIT AC TONE PULSES OF 60% SEC DURATION, OPERATE KEYS, KSF, KIT, AND KRT.

RECR NON OP (KRN)	SEND FULL LEVEL (KSF)	DISTN TEST (KDT)	DIST FAIL (KDF)	OSC FAIL (KOF)	IMPULSE TEST (KIT)	FULL SCALE (KFS)	RECR TEST (KRT)	CHECK RELAY A (KCA)	DISTORTION (KD)	OSC TEST (KOT)	INT OSC TEST (KO)	BEAT QPS (KBO)	TEST X CONTACT, TEST CONTACT	TEST BREAK ACTION (KTB)	CONNECT (KC)	VOLTS 0-5 (KV)	VOLTS 0-5 (KLV)	OHM-F. BATT. DISC (KBD)	MONITOR (KM)	DC PULSE OUTPUT (KPO)
4	4	6	4	2	2	2	2	2	2	4	2	2	2	2	2	2	2	2	2	2

TEST CIRCUIT FOR RECEIVERS & OSCILLATORS NZS.S.A.C. N° 2T & 3T

REDAWN FOR TROLLEY MOUNTING MONITORING AMPLIFIER ADDED AMENDMENT PARTICULARS

ISSUE DATE APPD REF: W/P SIZE X SOV B

NZPO DRAWN A/E CHKD WIRING CIRCUIT GBW 16570