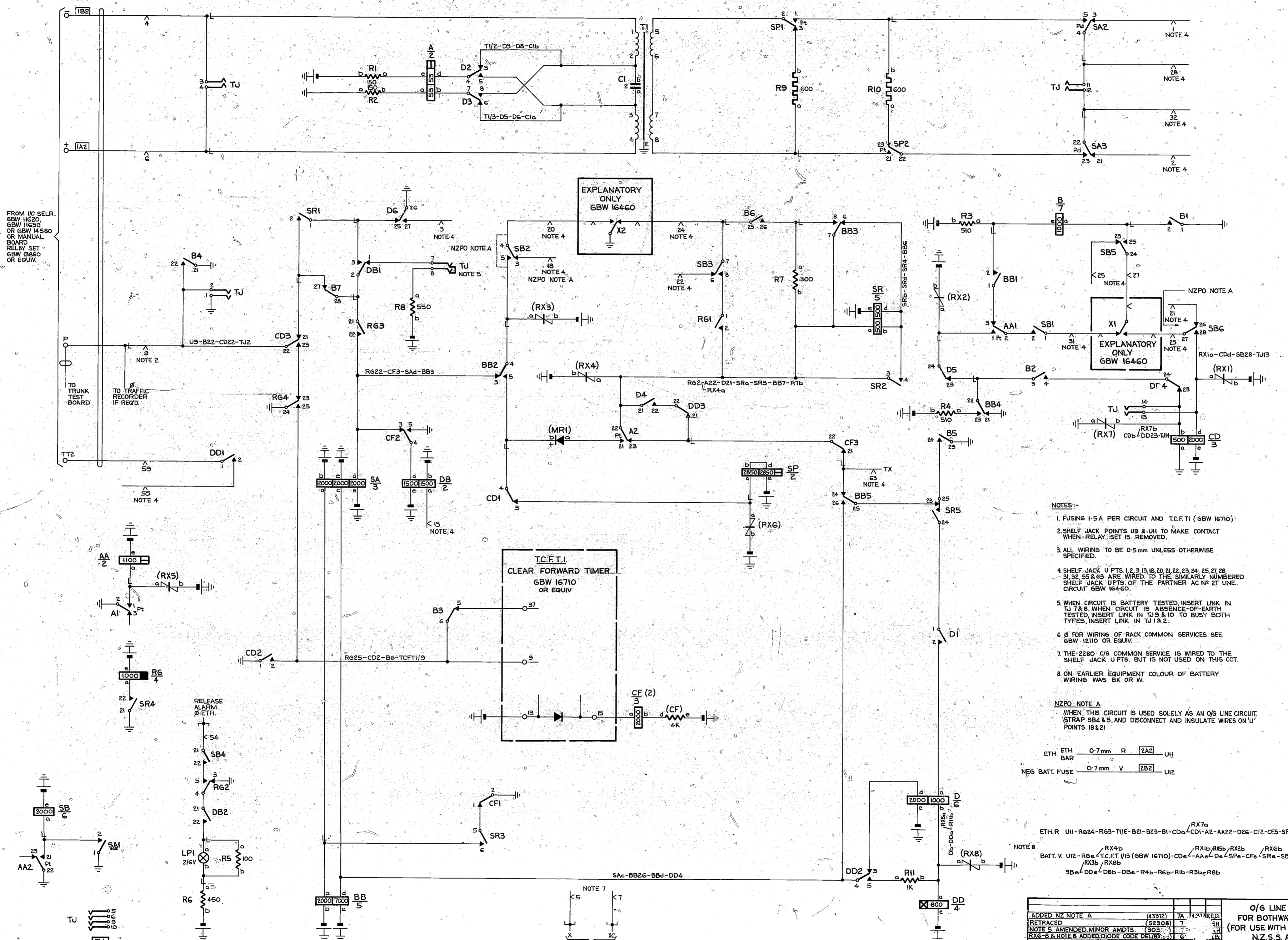


I.D.F.  
MULT. OR LOC.

FROM I/C SELR.  
GBW 11620,  
GBW 11630  
OR GBW 14580  
OR MANUAL  
BOARD  
RELAY SET  
GBW 13860  
OR EQUIV.



EXPLANATORY  
ONLY  
GBW 16460

T.C.F.T.I.  
CLEAR FORWARD TIMER  
GBW 16710  
OR EQUIV

- NOTES:-
1. FUSING 1.5A PER CIRCUIT AND T.C.F.T.I. (GBW 16710);
  2. SHELF JACK POINTS U9 & U11 TO MAKE CONTACT WHEN RELAY SET IS REMOVED.
  3. ALL WIRING TO BE 0.5mm UNLESS OTHERWISE SPECIFIED.
  4. SHELF JACK UPTS 1, 2, 3, 13, 18, 20, 21, 22, 23, 24, 25, 27, 28, 31, 32, 55 & 63 ARE WIRED TO THE SIMILARLY NUMBERED SHELF JACK UPTS OF THE PARTNER AC N° 21 LINE. CIRCUIT GBW 16460.
  5. WHEN CIRCUIT IS BATTERY TESTED, INSERT LINK IN TU 7 & 8. WHEN CIRCUIT IS ABSENCE-OF-EARTH TESTED, INSERT LINK IN TU 9 & 10 TO BUSY BOTH TYPES, INSERT LINK IN TU 1 & 2.
  6. Ø FOR WIRING OF RACK COMMON SERVICES SEE GBW 12110 OR EQUIV.
  7. THE 2280 C/S COMMON SERVICE IS WIRED TO THE SHELF JACK UPTS. BUT IS NOT USED ON THIS CCT.
  8. ON EARLIER EQUIPMENT COLOUR OF BATTERY WIRING WAS BK OR W.

NZPO NOTE A  
WHEN THIS CIRCUIT IS USED SOLELY AS AN O/G LINE CIRCUIT (STRAP SB4 & 5, AND DISCONNECT AND INSULATE WIRES ON 'U' POINTS 18 & 21)

ETH BAR 0.7mm R 2A2 U11  
NEG BATT. FUSE 0.7mm V 2B2 U12

ETH.R U11-R624-R63-TU/E-B21-B23-B1-CDa-CD1-A2-AA22-D26-CF2-CF5-SR21-SAI-BB21-R2a-TU1  
NOTE 8  
BATT. V. U12-R6e-T.C.F.T.I./1/3 (GBW 16710)-CDe-AAe-De-SPe-CFe-SRe-SBe-SAb-SAe-BBb-SBe-DDe-DBb-DBe-R4b-R6b-R1b-R3b-R8b

ADDED NZ NOTE A	(43372)	7A	14.3.77	RED.
RETRACTED	(52308)	7		SH
NOTE 5 AMENDED MINOR AMDTS	(30571)	6		3H
RX6-B & NOTE B. ADDED DIODE CODE DEL(83)		6		1B
PARTICULAR AMENDMENTS	ISSUE DATE	APPL	REF - I.V.F.	SIZE A1 50V S
NZPO	DRAWN	CHECKED	WIRING	CIRCUIT
	M.A.A.		A.S.H.	

O/G LINE CIRCUIT  
FOR BOTHWAY WORKING  
(FOR USE WITH I/C LINE CCT)  
N.Z.S.S. AC N° 2T

GBW 16470

