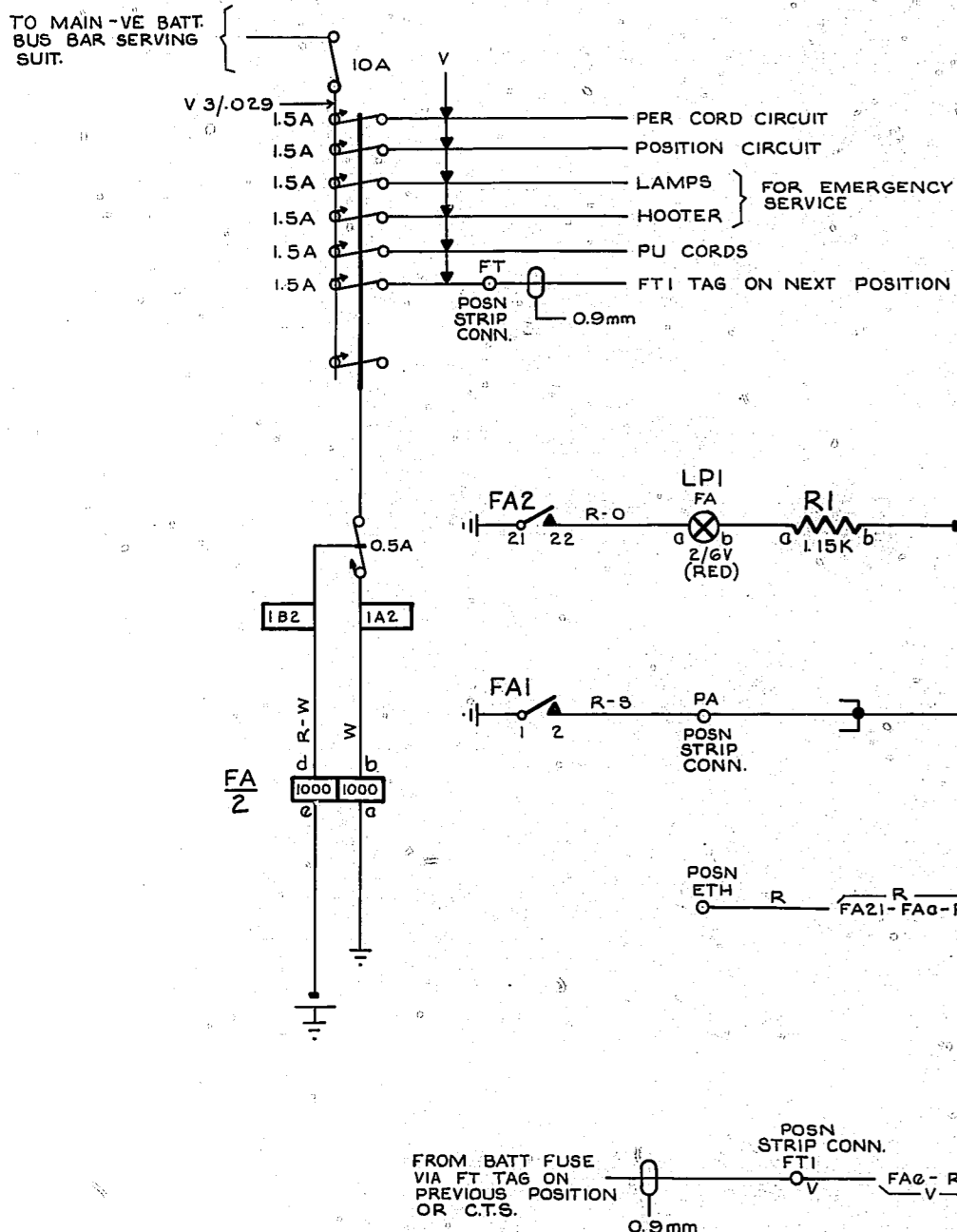


FIG. 1A. (NOTE.4.)
FUSE ALARM
MANUAL BOARD
1 PER POSN.



- NOTES.**
1. ALL WIRING TO BE 0.7mm UNLESS OTHERWISE SPECIFIED PLATE WIRING TO BE 0.5mm.
 2. DELETED.
 3. WHEN SWITCHING OF MULT ANS EQUIPMENT IS REQUIRED USE CONNS -1-1- WHEN SUCH SWITCHING IS NOT REQUIRED USE CONNS. -2-2-
 4. FIG. 1A IS PROVIDED ON NEW TYPE POSITIONS ONLY I.E. WITH LOCAL FUSE PANELS.
 5. IN SOME EXCHANGES THE MANUAL SWITCHBOARD IS SITUATED IN A BUILDING REMOTE FROM THE AUTO EQUIPMENT BUILDING IN SUCH CASES THE CONNECTIONS FROM THE AUTO EQUIPMENT TO THE C.T.S. STRIP CONN. ARE MADE VIA THE IDF MULT. AND OR LOCAL (AUTO BUILDING) AND A MANUAL ROOM FRAME (MANUAL BUILDING).
 6. ON INTERNATIONAL EXCHANGES, KRA IS A PUSH TYPE KEY WITH SPRING NUMBERS SHOWN IN BRACKETS, THUS (3). ON G.S. SWITCHBOARDS WITH LEVER KEYS SPRING NUMBERS ARE SHOWN WITHOUT BRACKETS.
 7. FIG. 1D IS FUSED WITH FIG. 2 FROM FTI TERMINAL.
 8. ON EARLY EQUIPMENT BATT. WIRE WAS BK.
 9. ON EARLY EQUIPMENT LP2 WAS 12/50V.

N.Z. NOTE:
A. WHEN USED AT AUCKLAND GATEWAY TMX - REMOVE WIRE SHOWN -X- AND INSERT DIODE DI, CONNECT AS IN BRACKETS.

FIG. 2.
FUSE ALARM AND
NIGHT ALARM C.T.S.
(PART OF GBW 16140)

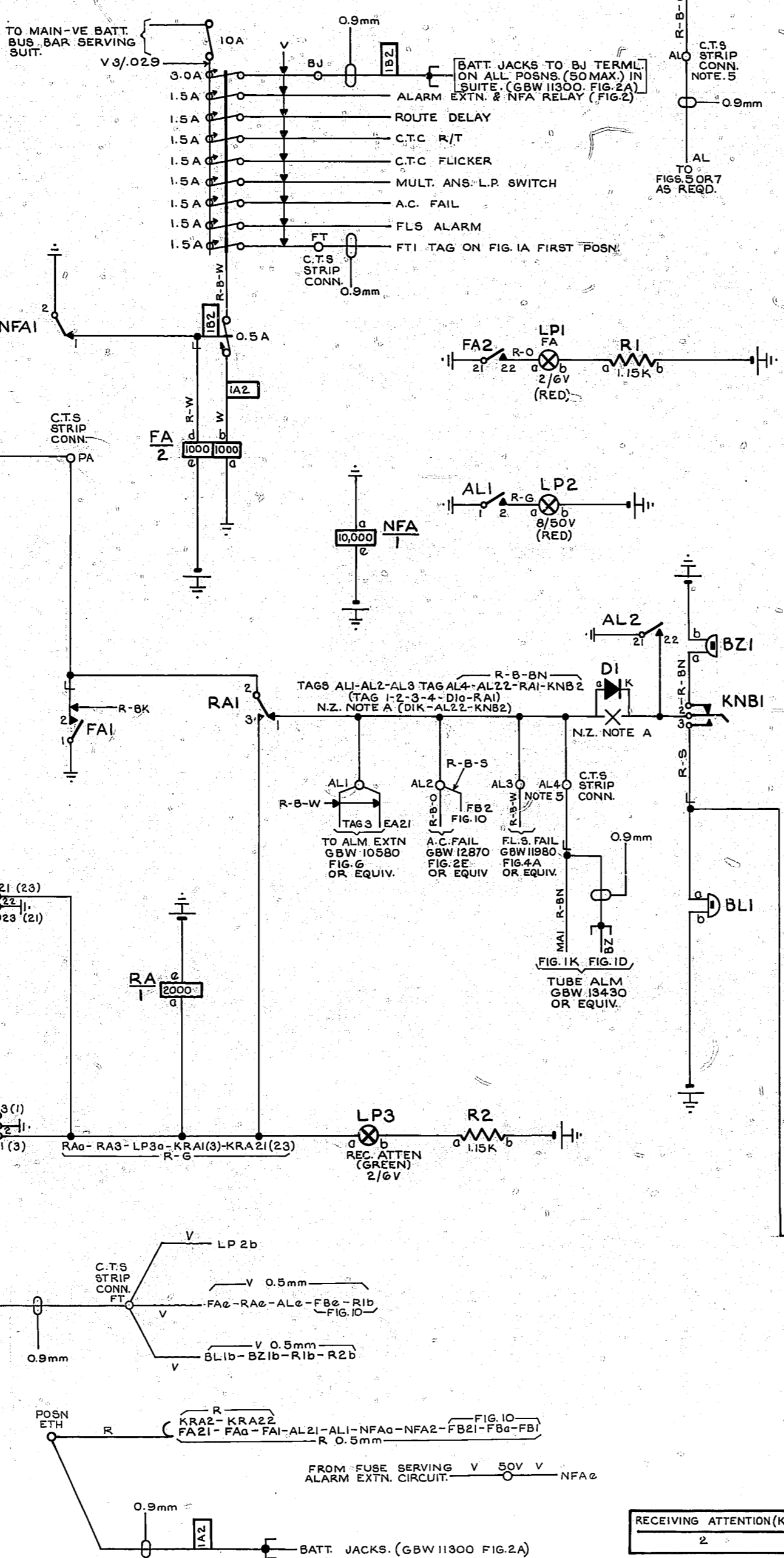


FIG. 10. NOTE.7.
C.T.S.
POS. BATT. DISTRIBUTION
AND FUSE ALARM
INTERNATIONAL EXCH.

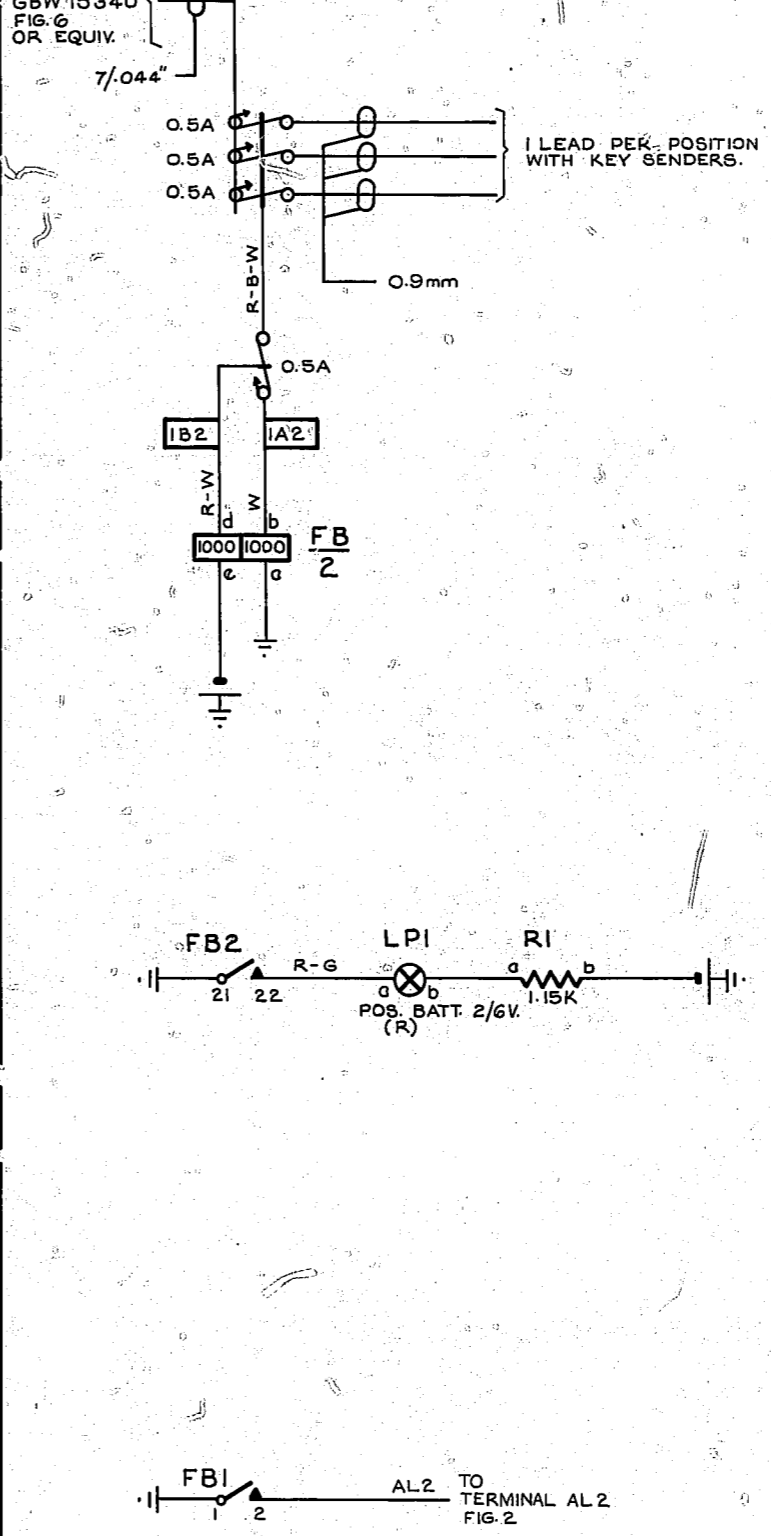


FIG. 3.

FIG. 4.

FIG. 5.

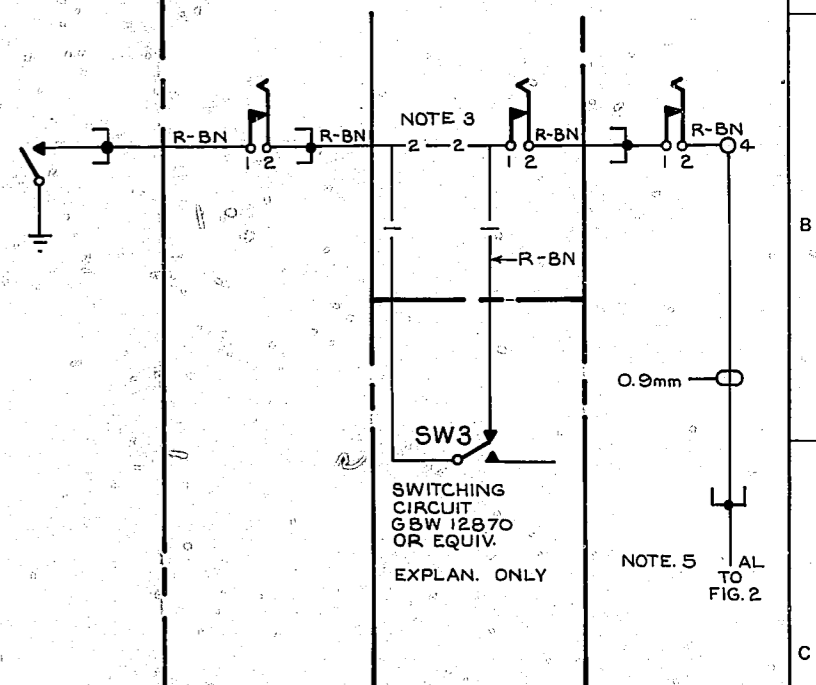


FIG. 6.

FIG. 7.

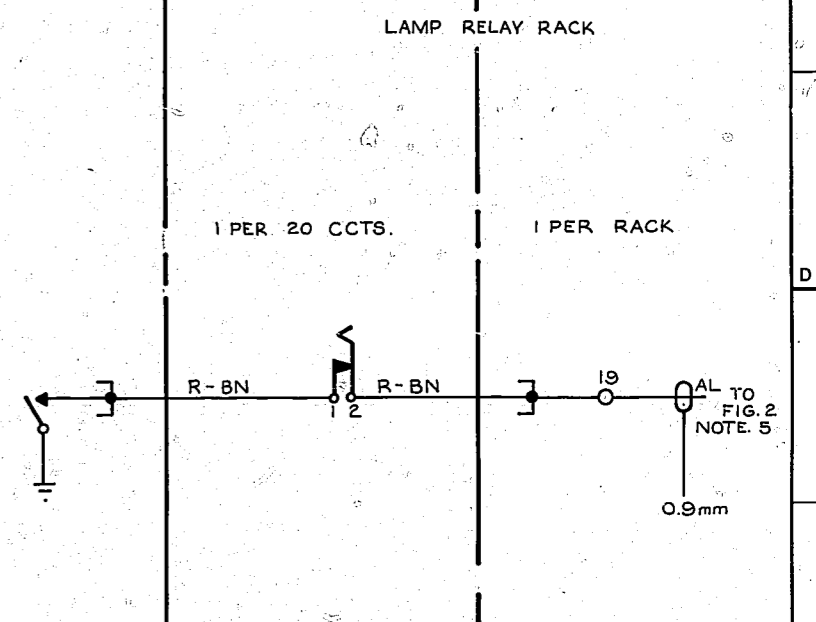
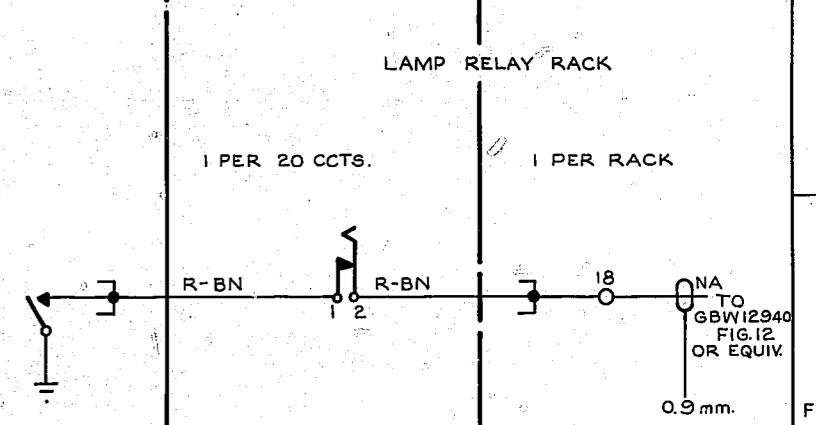


FIG. 9.

FIG. 8.



NO.	DATE	DEL	DC ORDER	CHKD	APPD	CHANGE
1	1950.10.14					RETRACTED & METALIZED
2	1950.11.17					RED MOD IN ACC. WITH NEM PH
3	1950.12.17					RED MOD IN ACC. WITH NEM PH
4	1951.01.17					RED MOD IN ACC. WITH NEM PH
5	1951.02.17					RED MOD IN ACC. WITH NEM PH
6	1951.03.17					RED MOD IN ACC. WITH NEM PH
7	1951.04.17					RED MOD IN ACC. WITH NEM PH
8	1951.05.17					RED MOD IN ACC. WITH NEM PH
9	1951.06.17					RED MOD IN ACC. WITH NEM PH
10	1951.07.17					RED MOD IN ACC. WITH NEM PH
11	1951.08.17					RED MOD IN ACC. WITH NEM PH
12	1951.09.17					RED MOD IN ACC. WITH NEM PH
13	1951.10.17					RED MOD IN ACC. WITH NEM PH
14	1951.11.17					RED MOD IN ACC. WITH NEM PH
15	1951.12.17					RED MOD IN ACC. WITH NEM PH

PROOF
MANUAL BOARD
AND C.T.S.
NIGHT ALARM AND FUSE
ALARM ARRANGEMENTS
S. C. S.

RECEIVING ATTENTION (KRA)	SUITE ALARM (KSN)	NIGHT BELL (KNB)
2	2	2

UD 237