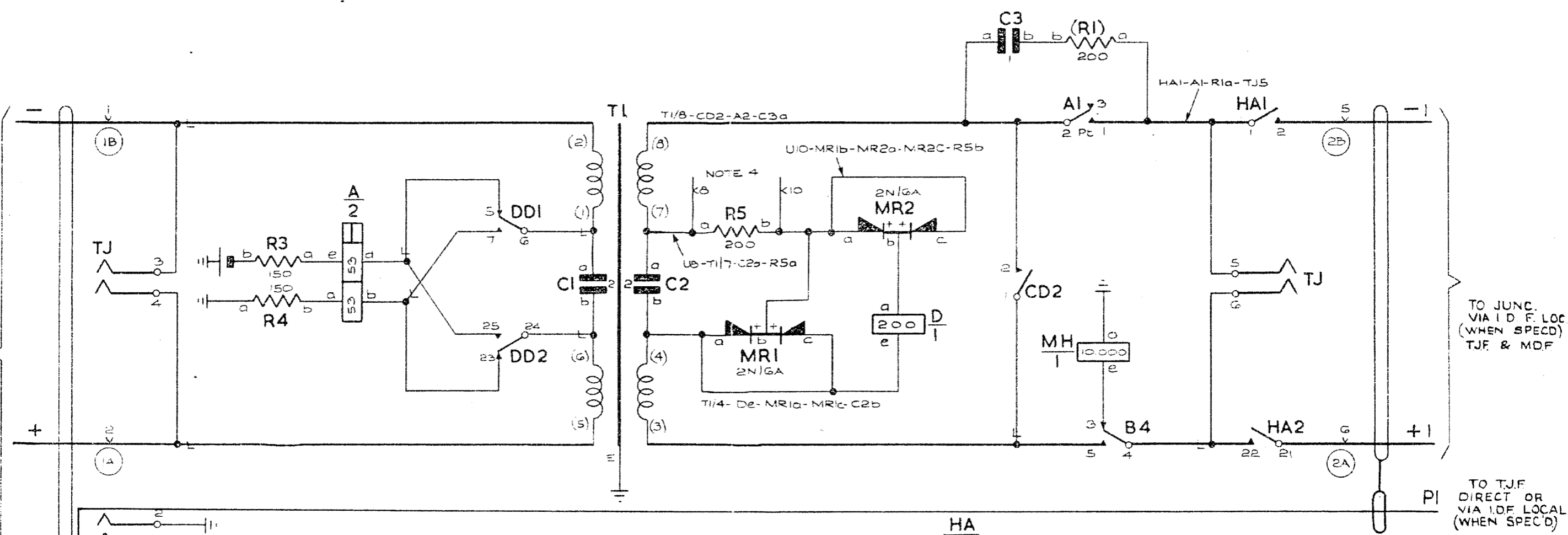


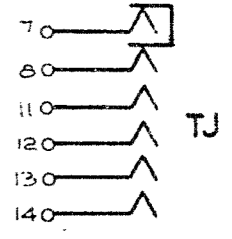
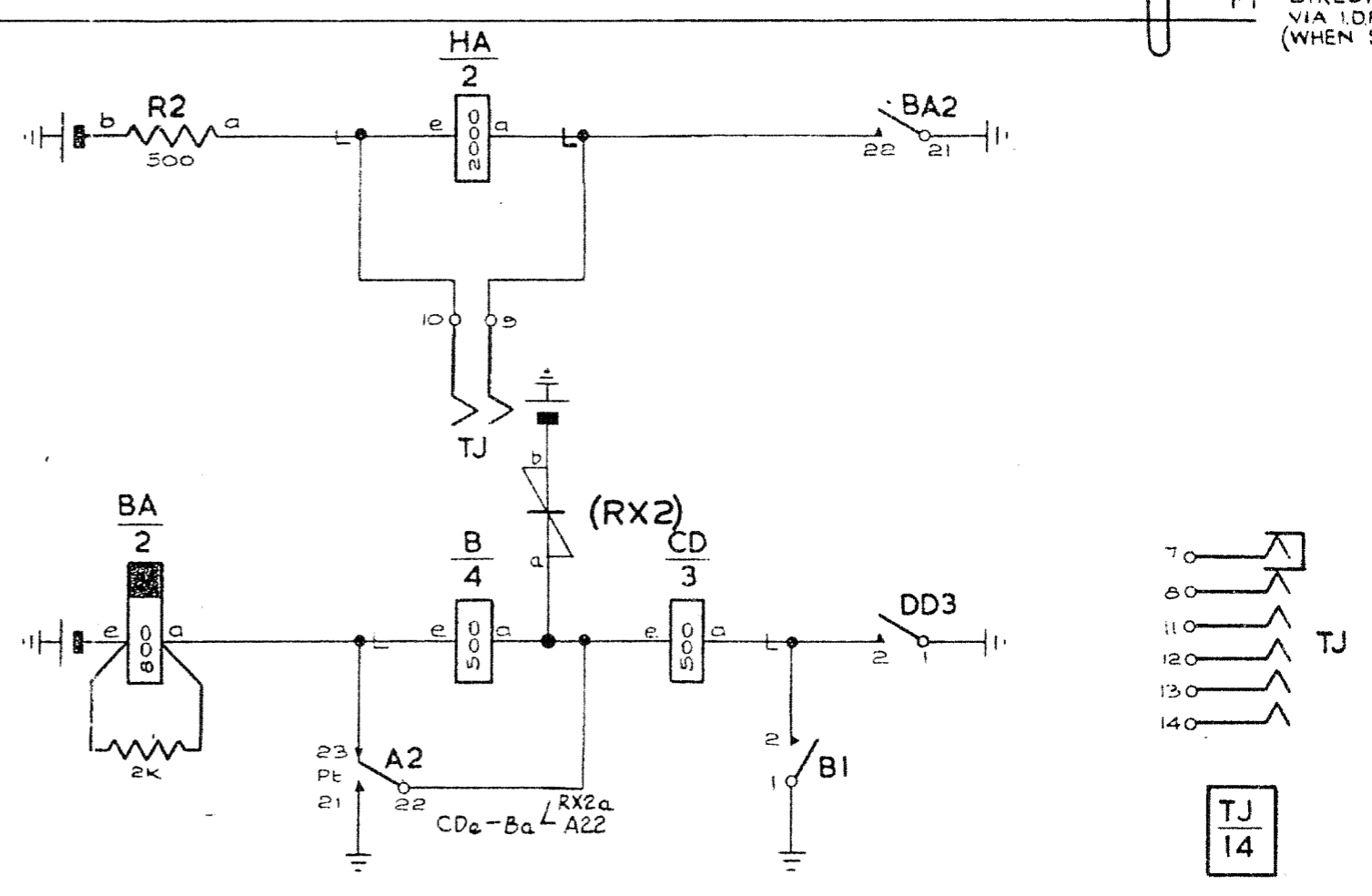
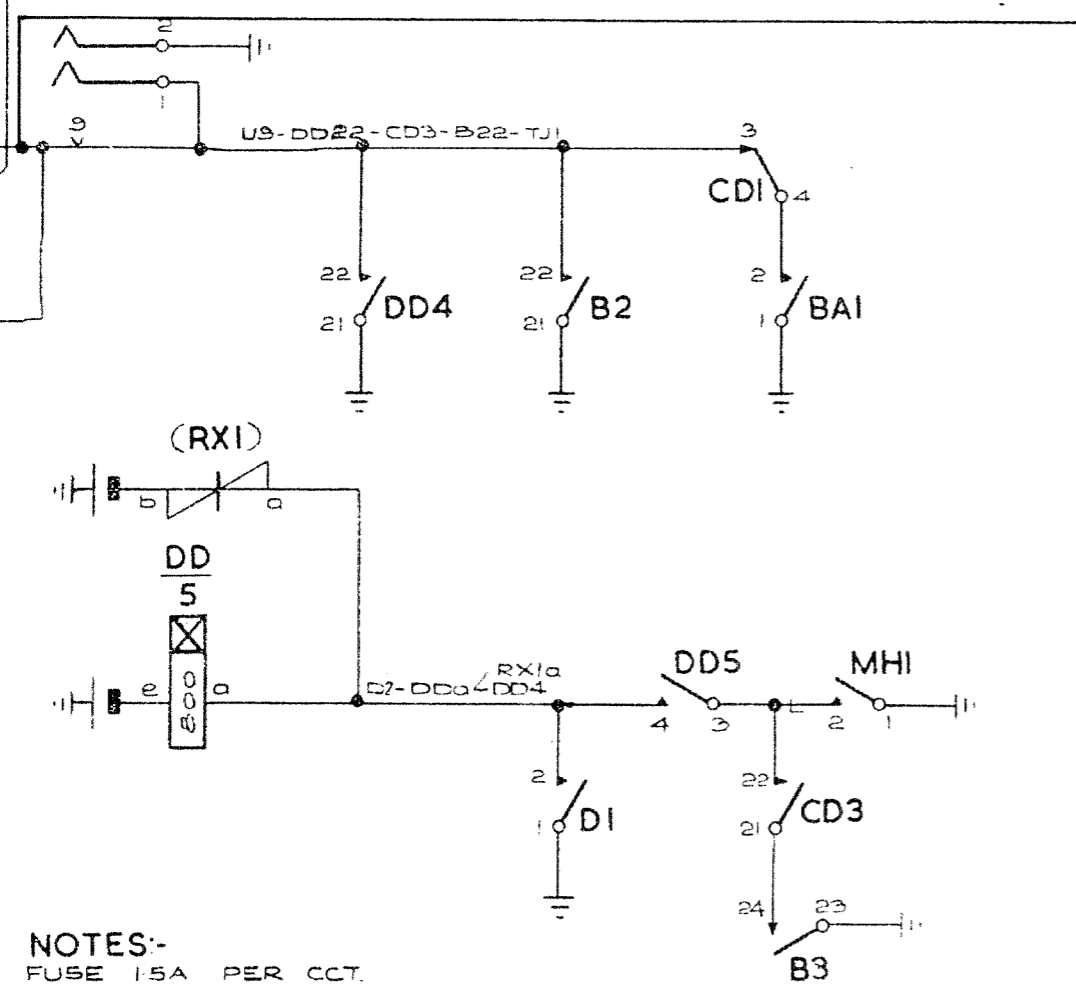
FROM GAP SELR LEVELS DIRECT OR VIA T.D.F. O/G OR I.D.F. MULT. OR LOCAL.



TO JUNC. VIA I.D.F. LOC (WHEN SPEED) TJF & MDF

TO TJF DIRECT OR VIA I.D.F. LOCAL (WHEN SPEED)

TRAFFIC RECORDER (WHEN SPEED)



TJ/14

**NOTES:-**

1. FUSE 1.5A PER CCT.
2. PLATE WIRING TO BE 25 SWG
3. Ø FOR WIRING SEE RACK COMMON SERVICES.
4. STRAP U9 & U10 WHEN JUNCTION RESISTANCE EXCEEDS 200 OHMS
5. U9 & U11 TO MAKE CONTACT WHEN RELAY SET IS REMOVED

BATT. W. U12-BAe-DDe-R2b-R3b  
 ETH. R. U11-T1E-BA2-BA1-D1-DD21-DD1-MHa-MH1-B21-B23-B1-A21-R4a-TJ2  
 BATT. BK. 22 SWG FUSE (3B) U12  
 ETH. R. 22 SWG ETHBAR (3A) U11

AMENDMENT PARTICULARS	ISSUE	DATE	APP
1/c & o/g TERMINATIONS REVISED & NOTE 5 ADDED (23176)	3	17.5.60	dh
RX2 ADDED (33580)	2	24.7.59	dh
(32480)	1	10.7.59	dh

N.Z.P.O. DRAWN 44 CHECKED WIRING D.S.O. CIRCUIT

SELECTOR LEVEL R/S TO REMOTE MANUAL BOARD EMERGENCY SERVICE FOR U.A.X. N.Z. 13

GBW 15630