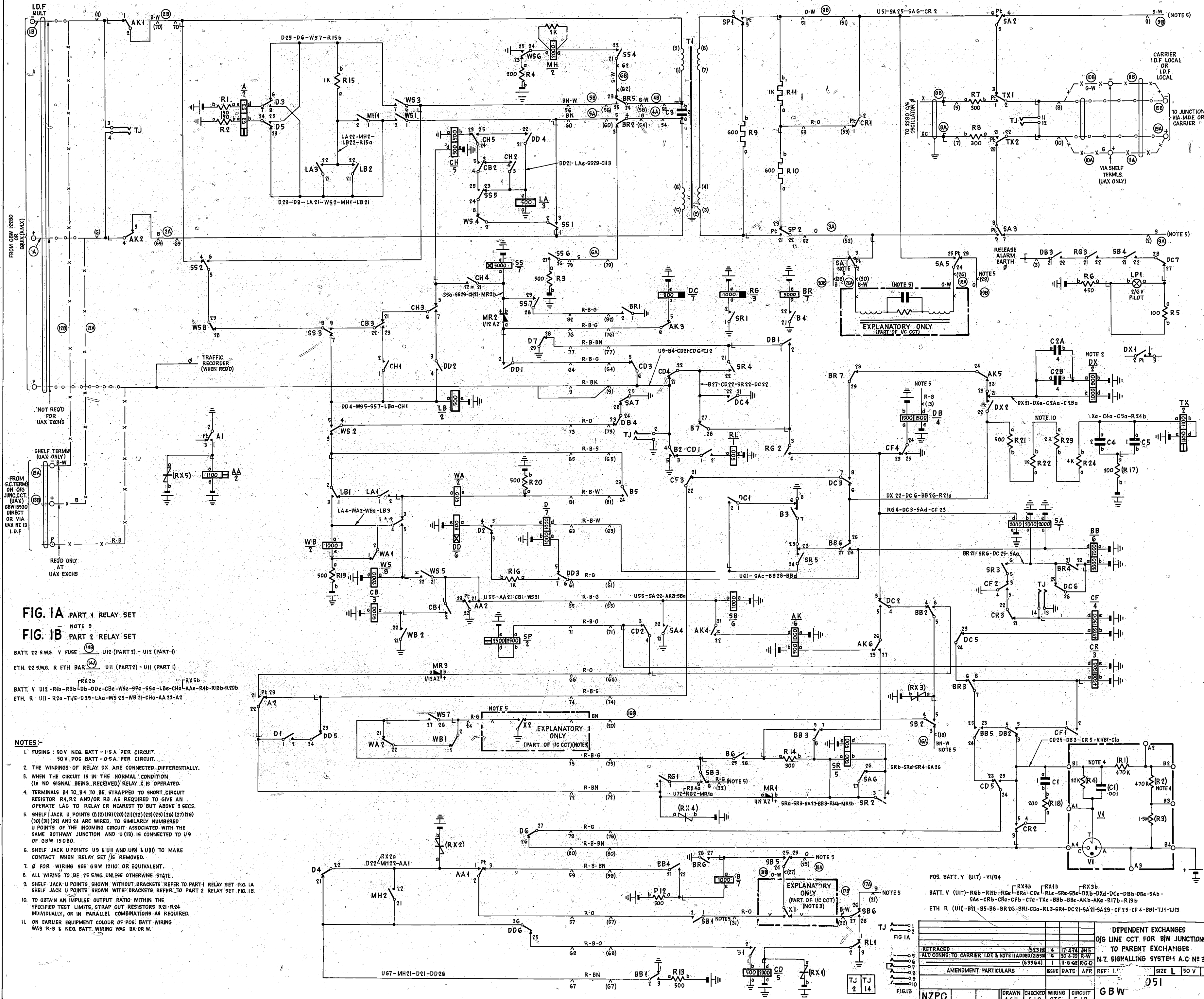


0  
5  
10  
15  
20  
25  
30  
35  
40  
45  
50  
55  
60  
CENTIMETERS



**FIG. 1A PART 1 RELAY SET**  
**FIG. 1B PART 2 RELAY SET**

NOTE 9  
 BATT. 22 S.W.G. V FUSE (U12) (PART 2) - U12 (PART 1)  
 ETH. 22 S.W.G. R ETH BAR (U11) (PART 2) - U11 (PART 1)  
 BATT. V U12 - R1b - R3b - Db - DDe - CBe - WSe - SPe - SSe - LBe - Che - AAe - R4b - R19b - R20b  
 ETH. R U11 - R2a - T1e - D29 - LAa - W52 - W51 - Ch - AA22 - A2

- NOTES:-**
1. FUSING: 50V NEG. BATT - 1.5A PER CIRCUIT.  
50V POS BATT - 0.5A PER CIRCUIT.
  2. THE WINDINGS OF RELAY DX ARE CONNECTED DIFFERENTIALLY.
  3. WHEN THE CIRCUIT IS IN THE NORMAL CONDITION (IE NO SIGNAL BEING RECEIVED) RELAY X IS OPERATED.
  4. TERMINALS B1 TO B4 TO BE STRAPPED TO SHORT CIRCUIT RESISTOR R1, R1 AND/OR R3 AS REQUIRED TO GIVE AN OPERATE LAG TO RELAY CR NEAREST TO BUT ABOVE 2 SECS.
  5. SHELF JACK U POINTS (1) (2) (10) (20) (21) (22) (23) (25) (26) (27) (28) (30) (31) (32) AND 24 ARE WIRED TO SIMILARLY NUMBERED U POINTS OF THE INCOMING CIRCUIT ASSOCIATED WITH THE SAME BOTHWAY JUNCTION AND U (13) IS CONNECTED TO U9 OF GBW 150B0.
  6. SHELF JACK U POINTS U9 & U11 AND U10 & U11 TO MAKE CONTACT WHEN RELAY SET /15 REMOVED.
  7. Ø FOR WIRING SEE GBW 1210 OR EQUIVALENT.
  8. ALL WIRING TO BE 25 S.W.G. UNLESS OTHERWISE STATED.
  9. SHELF JACK U POINTS SHOWN WITHOUT BRACKETS REFER TO PART 1 RELAY SET FIG. 1A SHELF JACK U POINTS SHOWN WITH BRACKETS REFER TO PART 2 RELAY SET FIG. 1B.
  10. TO OBTAIN AN IMPULSE OUTPUT RATIO WITHIN THE SPECIFIED TEST LIMITS, STRAP OUT RESISTORS R21-R24 INDIVIDUALLY, OR IN PARALLEL COMBINATIONS AS REQUIRED.
  11. ON EARLIER EQUIPMENT COLOUR OF POS. BATT WIRING WAS R-B & NEG. BATT WIRING WAS BK OR W.

DEPENDENT EXCHANGES		O/G LINE CCT FOR B/W JUNCTIONS TO PARENT EXCHANGES	
RETRACED	(52318)	4	17-478 JHE
ALT. CONNS TO CARRIER I.D.F. & NOTE II ADDRESS	(11554)	4	10-4-70 RW-W
	(63364)	1	11-6-62 RG-D
AMENDMENT PARTICULARS			
ISSUE DATE	APR	REF: L	SIZE L 50 V 5
NZPC		DRAWN	CHECKED
		A.S.H.	F.J.O.
		WIRING	C.I.S.
		CIRCUIT	F.J.O.
			GBW