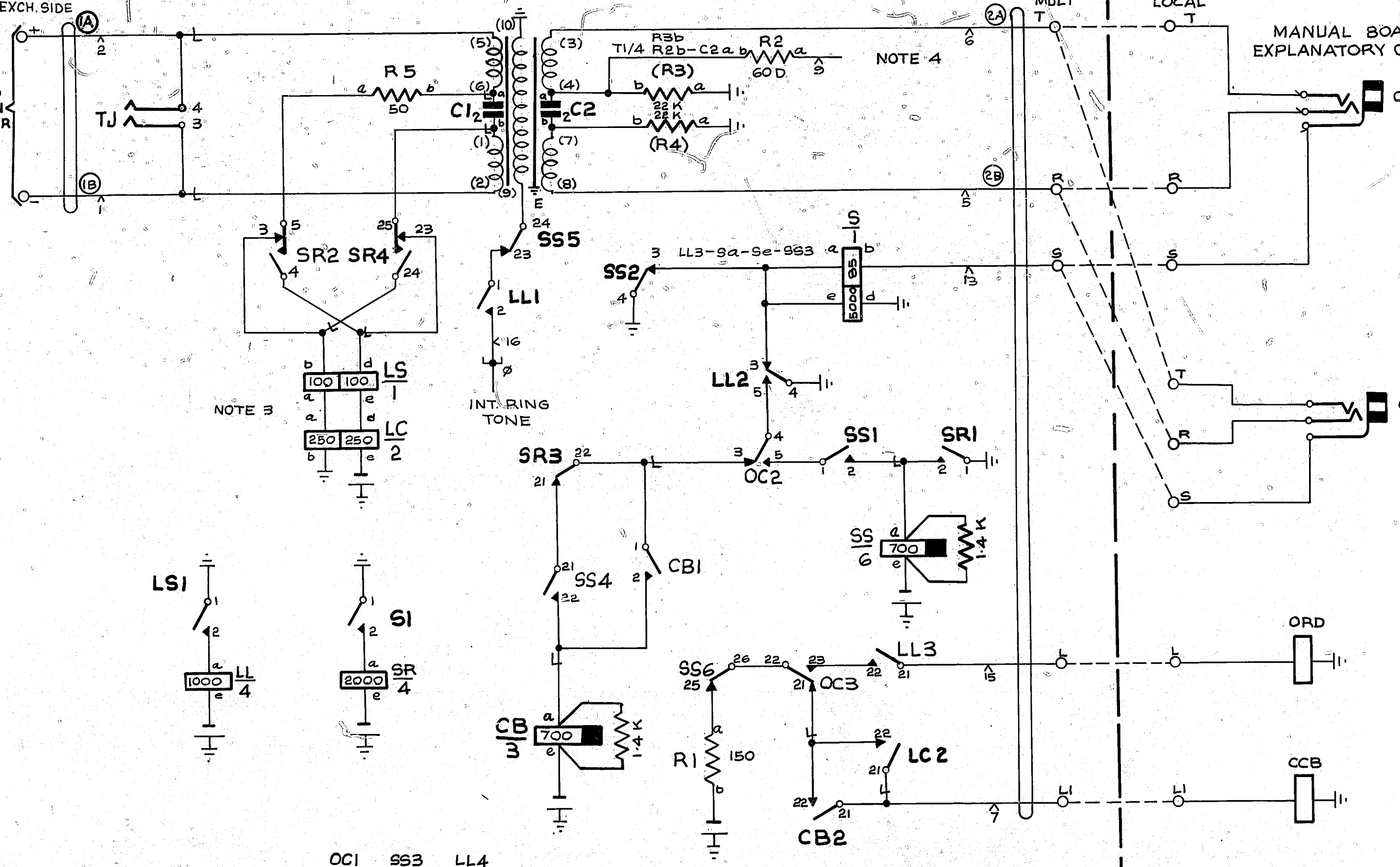


INCOMING JUNCTION FROM D.S.R LEVELS

M.D.F EXCH. SIDE

MANUAL I.D.F

MANUAL BOARD EXPLANATORY ONLY

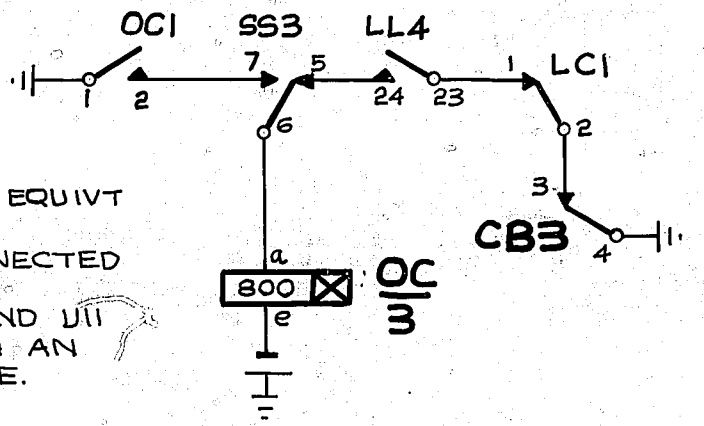


NOTE 3

NOTE 4

NOTES

1. FUSE 1.5A 1 PER CIRCUIT
2. Ø FOR WIRING SEE GBW 10640 OR EQUIV T
3. RELAY LC IS DIFFERENTIALLY CONNECTED
4. STRAP SHELF JACK POINTS U9 AND U11 WHEN CIRCUIT IS ASSOC'D. WITH AN UNDER 3DB UNREPEATED LINE.
5. ALL WIRING UNLESS OTHERWISE SPECIFIED TO BE 0.5mm.



BATTO.7mm BK FUSE U12  
ETH 0.7mm R ETH BAR U11

BATT. W- U12-LCe-LLe-SSe-SRe-OCe-CBe-R1b.  
ETHR. U11-TI/E←R3a  
                          TI/10-LSI-LCb-LL4-Sd-SI-SS4-SR1-OC1-CB4  
                          R4a

RETRACED AND METRICATED (154586)	2A	2.5.78	RED
MINOR WIRING MODIFICATIONS (8340)	2	9.11.57	
	(69220)	1	26.7.57
N.Z.P.O		TRACED GES	CHECK

LEVEL OF JUNCTION RELAY SET  
WITH TRANSFORMER BRIDGE  
SLEEVE CONTROL SYSTEM

GBW 15000

