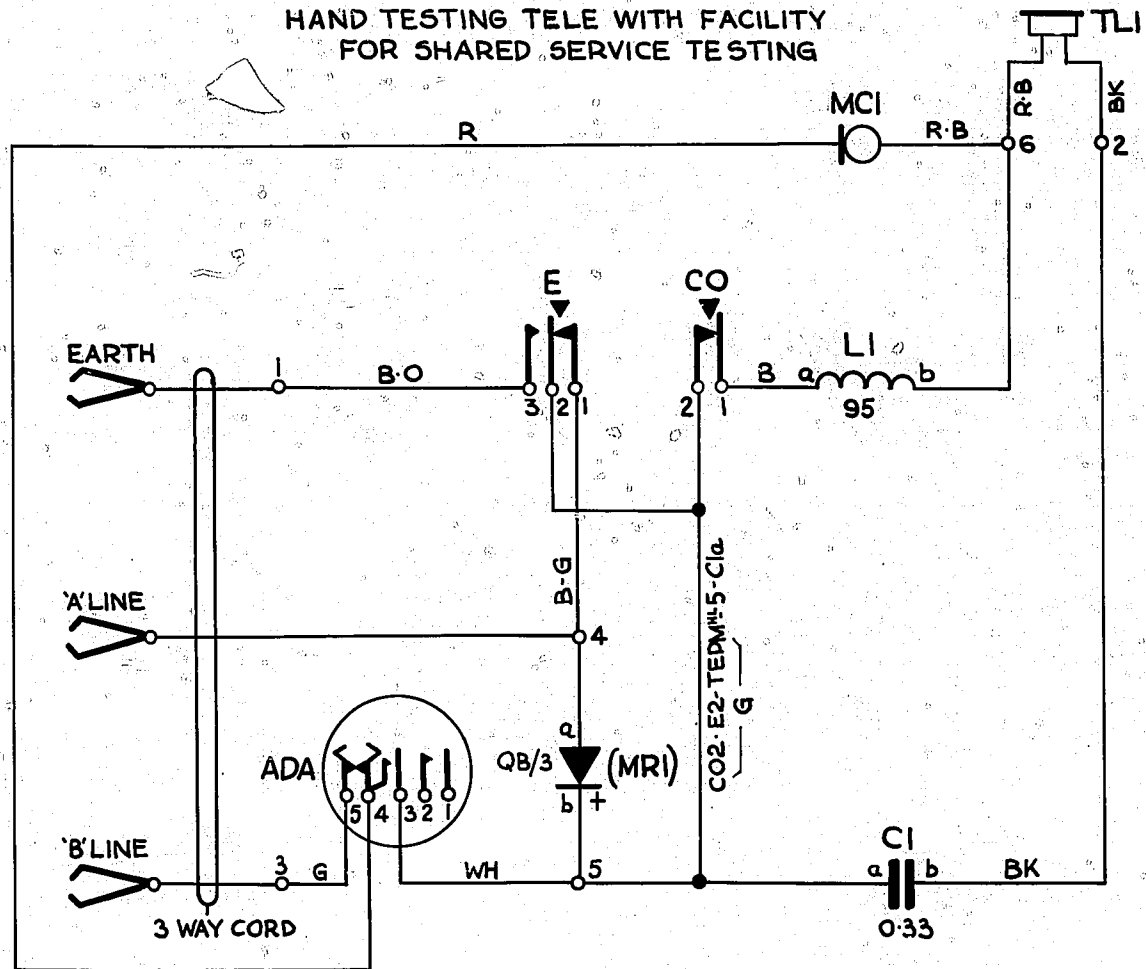
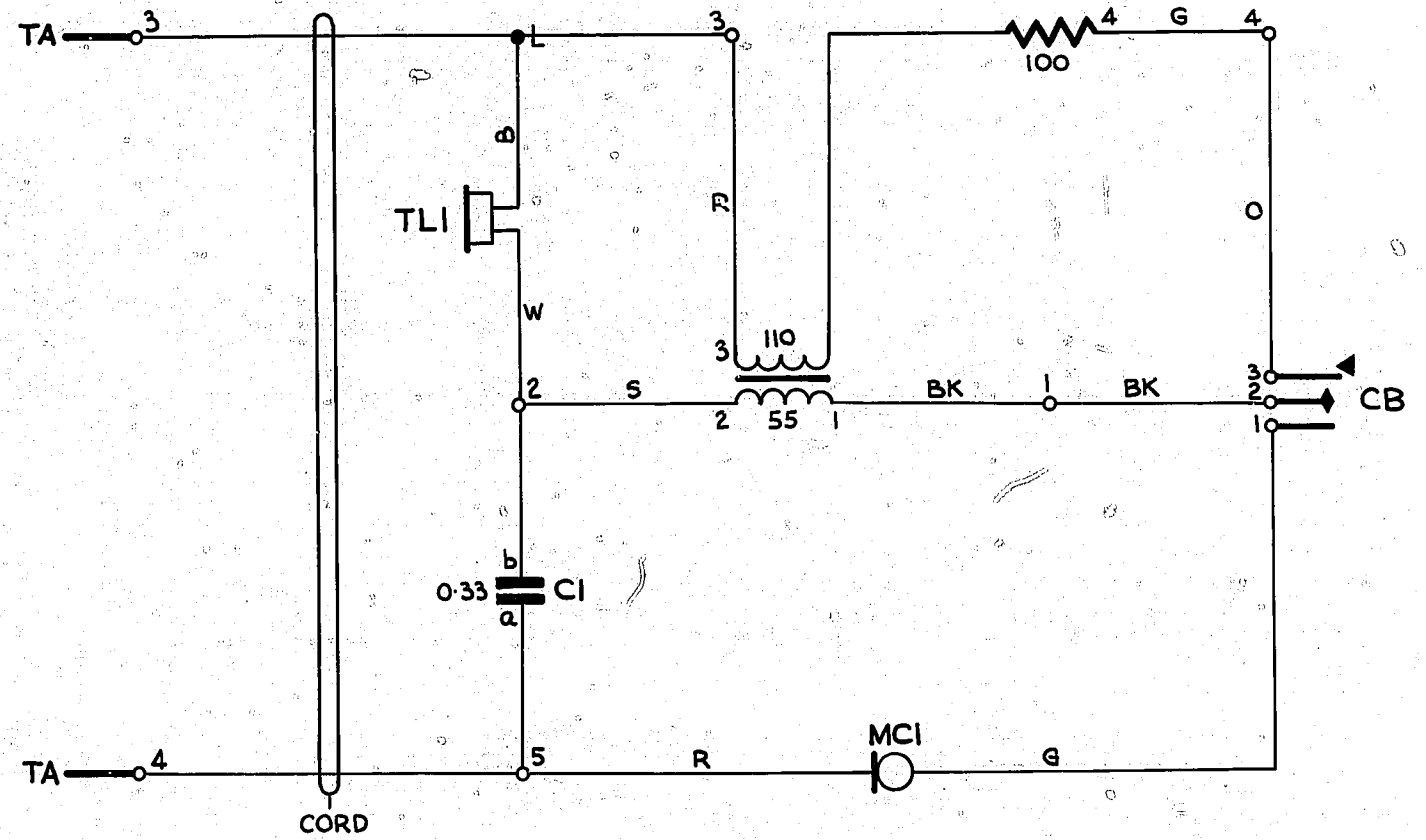


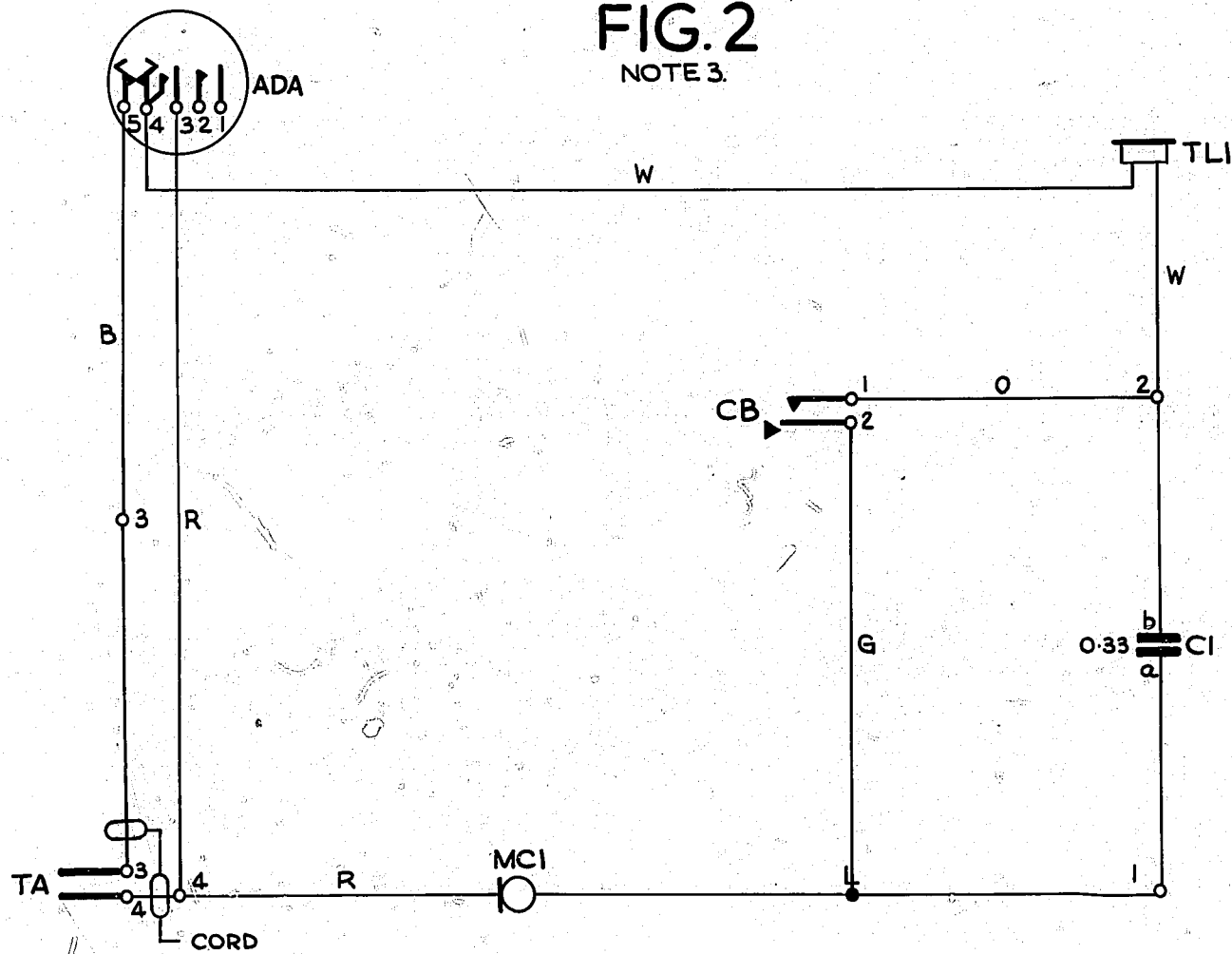
**FIG.1**  
HAND TESTING TELE WITH FACILITY  
FOR SHARED SERVICE TESTING



**FIG.3**  
TELE. 80 MK. 4  
NOTE 2

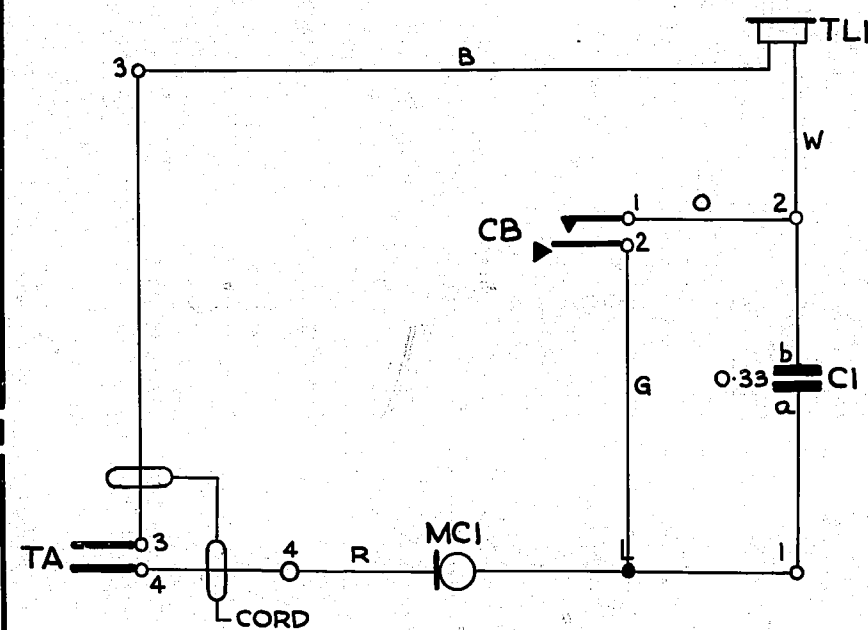


**FIG.2**  
NOTE 3.



**FIG.4**

TECHNICIAN'S HAND TESTING TELEPHONE



NOTES:-

1. ALL WIRING TO BE 0.5mm. UNLESS OTHERWISE SPECIFIED.
2. PROVIDED WHEN DIALLING FACILITY IS NOT REQUIRED.
3. PROVIDED FOR GENERAL TESTING IN EXCHANGE.

HAND TESTING  
TELEPHONES  
(BUTTINSKI PATTERN)

RETRACED & METRICATED (157775) 2A 17.5.78 RED  
REDRAWN FIGS 2-4 ADDED DRG TITLE REVISED(41489) 2 6.4.61 CAS

AMENDMENT PARTICULARS

ISSUE

DATE

APPD

REF

SIZE: S

50V H

N.Z.P.O.

DRAWN  
E.A.C.

CHECKED  
RKL  
29.7.56

WIRING  
RKL

CIRCUIT

GBW 4940