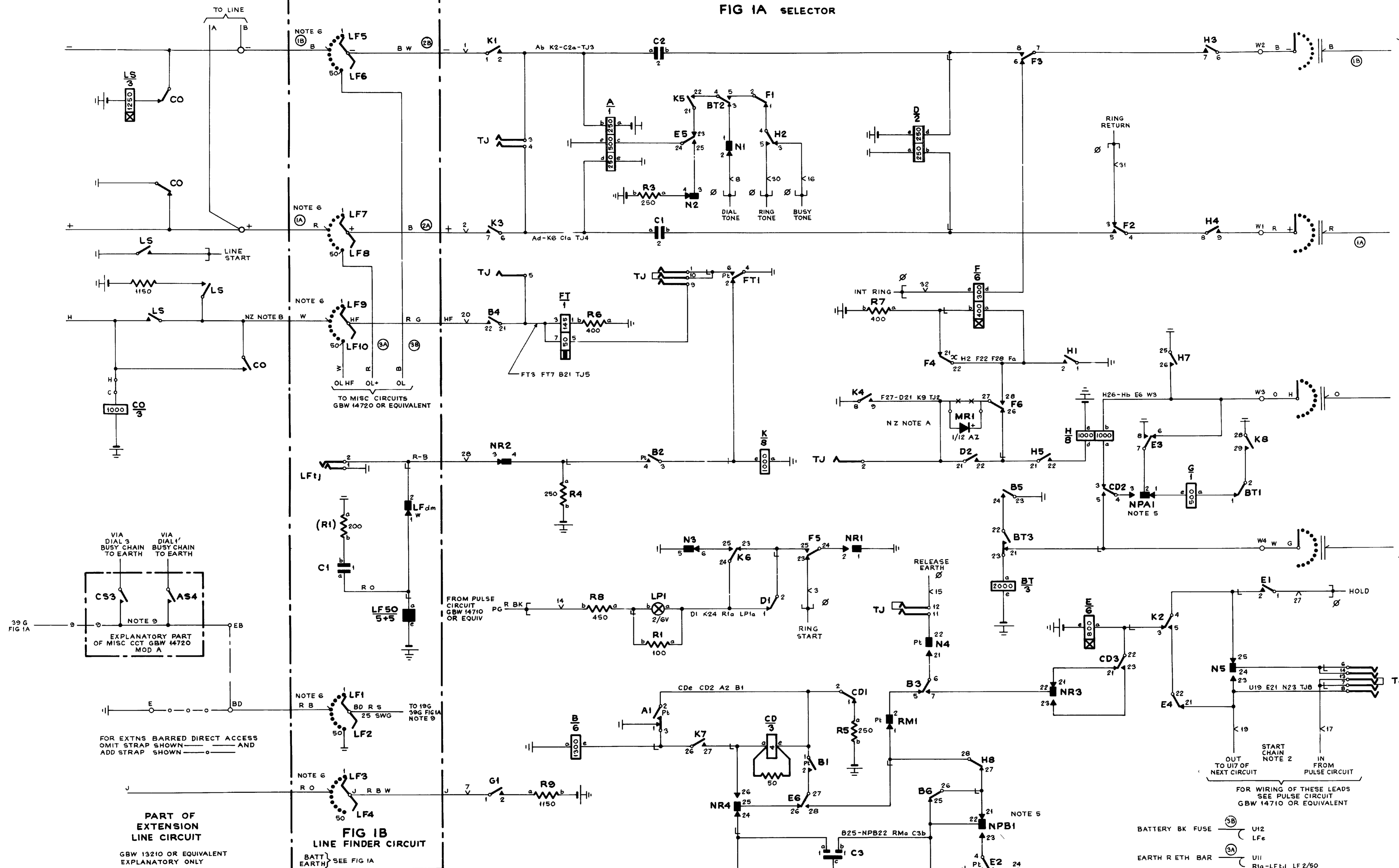
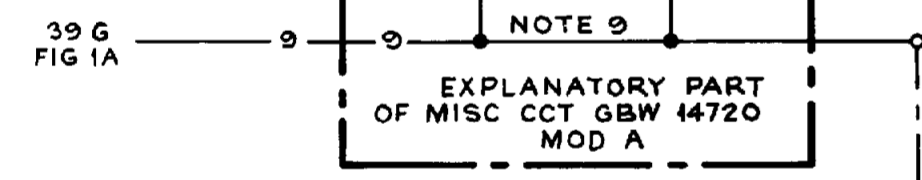


FIG 1A SELECTOR



FOR SEQUENCE OF MULTIPLES & WIRING OF OUTLETS SEE EXTENSION LINE CIRCUIT GBW 13210 OR EQUIVALENT & NOTE 8



FOR EXTS BARRED DIRECT ACCESS OMIT STRAP SHOWN AND ADD STRAP SHOWN

PART OF EXTENSION LINE CIRCUIT
GBW 13210 OR EQUIVALENT
EXPLANATORY ONLY

FIG 1B LINE FINDER CIRCUIT
BATT EARTH SEE FIG 1A

- NOTES**
- 1 FUSING 1.5A PER CIRCUIT
 - 2 JACK POINTS U9 & I1 AND U17 & I9 MAKE CONTACT WHEN RELAY SET IS REMOVED
 - 3 Ø FOR WIRING SEE GBW 13300 OR EQUIVALENT
 - 4 ALL WIRING BEARING A COLOUR CODE TO BE 23 SWG UNLESS OTHERWISE SPECIFIED BANK & SELECTOR WIRING TO BE 25 SWG
 - 5 NPA SPRINGS MAKE ON NZ LEVELS Ø 7 6 5 & Ø 35 LINE NPB SPRINGS MAKE ON NZ LEVELS Ø 4 3 2 1 & Ø 49 LINE NPA SPRINGS MAKE ON NZ LEVELS Ø 7 6 5 4 & Ø 49 LINE NPB SPRINGS MAKE ON NZ LEVELS Ø 3 2 1 & Ø
 - 6 FOR SEQUENCE OF MULTIPLES & WIRING OF OUTLETS SEE EXTENSION LINE CIRCUIT GBW 13210 OR EQUIVALENT
 - 7 LEVEL & CONTACT NUMBERS SHOWN ARE IN ACCORDANCE WITH REVERSE NUMBERED NZ DIAL BPO NUMBERING CORRESPONDING TO NZ NUMBERS 0123456789 15 0 9 8 7 6 5 4 3 2 1 RESPECTIVELY

- 8 MISCELLANEOUS CONNECTIONS FROM BANKS**
- | | | | |
|--------------|-----|-----------------------------|--|
| CONTACT 19 H | Ø | AS EXCH LINE DIAL '1' START | FROM MISC CCT GBW 14720 OR EQUIV |
| CONTACT 29 H | Ø | B5 NIGHT SERVICE START | |
| CONTACT 39 H | Ø | CS EXCH LINE DIAL 3 START | FROM MISC CCT GBW 14720 OR EQUIVALENT |
| CONTACT 19 G | R 5 | FROM LF 1/W FIG 1B NOTE 9 | |
| CONTACT 39 G | RB | NIGHT SERV BUSY EARTH | FROM MISC CCT GBW 14720 OR EQUIVALENT |
| CONTACT 08 H | Ø | Ø H | |
| CONTACT 08 + | R Ø | Ø L | ATTN LINE |
| CONTACT 08 - | B Ø | Ø L | |
| CONTACT 09 H | Ø | Ø L W FROM ATTN LINE CCTS | 35 LINE PBX ONLY |
| CONTACT 09 G | Ø | Ø | |
| CONTACT 09 G | Ø | Ø | FROM CS 22 (SPRING SET CS 3) GBW 14720 MOD A |
| CONTACT 09 G | Ø | Ø | |
- 9 WHEN ACCESS TO DIAL '3' ROUTE BY BARRED EXTS IS REQD PROVIDE CONNS SHOWN Ø-Ø, OMIT STRAPS 19G-39G, TOGETHER WITH STRAP BETWEEN SPRINGSETS AS4 & CS3 (GBW 14720 MOD A)**

- NZ NOTES**
- WHEN ACCESS TO V.H.F. SERVICE VIA AN EXTENSION LINE CCT IS REQUIRED MODIFY CONNECTING CCTS FOR CALLING PARTY RELEASE BY REMOVING WIRING SHOWN & INSERTING RECT MRI & WIRING SHOWN
 - ON SOME 35 LINE SYSTEMS THE HF MULT WIRING IS ØROWN INSTEAD OF WHITE

- BATTERY BK FUSE (ØB) U12 LFe
EARTH R ETH BAR (ØA) U11 R1Ø-LFt1 LF 2/50
EARTH R ETH BAR 15T G BANK OUTLET Ø9 MULT TO ALL BANKS 15T G BANK OUTLET 49 MULT TO ALL BANKS (35 LINE PABX ONLY) 15T G BANK OUTLET Ø9 MULT TO ALL BANKS
- BATTERY W U12 He De R3b R4b R5b Aa Ee-BTe Vme Rme R7b-R9b
EARTH R U11 H25 H1-FT4 Da Ae A1 B23 Ba K28 Ka K8 E5 E8
NR1 N5 R6a R2a

FROM MISC CIRCUITS GBW 14720 OR EQUIVALENT

FOR WIRING OF THESE LEADS SEE PULSE CIRCUIT GBW 14710 OR EQUIVALENT

35/49 LINE PABX			
CONNECTING CIRCUIT HAVING 'OUT' SERVICE ON TWO ROUTES (DIAL 1 & 3)			
RETRACED FROM ISS. E OF 91 Ø 71 NZ NOTE B AND Ø 71 NZ NOTE C (B2Ø) A	F 7 11 73 6.FE		
AMENDMENT PARTICULARS		ISSUE DATE	APD
		SIZE	A1
GBW 14660 MOD A			

N	NR	NPA	NPB	TJ
5	4	1	1	14

NZ	PO	DRAWN	CHECKED	WIRING	CIRCUIT
		ASL	RFH	RFH	