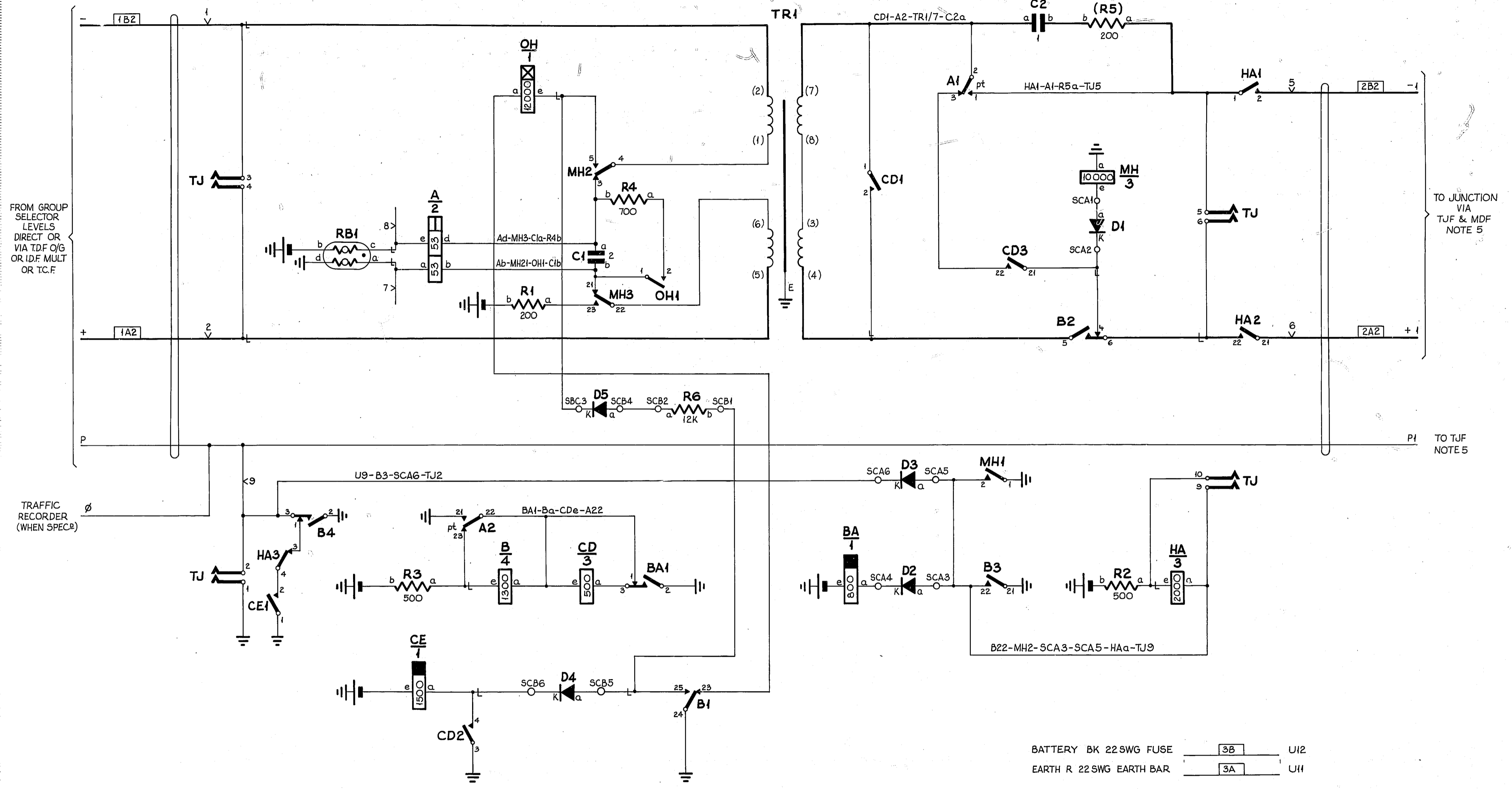


0
5 CENTIMETRE
10
15
20
25
30
35
40



FROM GROUP SELECTOR LEVELS DIRECT OR VIA TDF O/G OR IDF MULT OR T.C.F

TRAFFIC RECORDER (WHEN SPEC'D)

TO JUNCTION VIA TJF & MDF NOTE 5

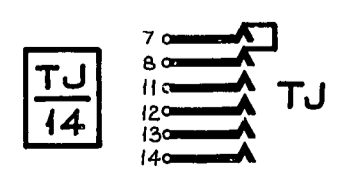
TO TJF NOTE 5

NOTES:

1. FUSING 1.5A PER CIRCUIT
2. JACK POINTS 9 AND 11 TO MAKE CONTACT WHEN RELAY SET IS REMOVED.
3. ALL WIRING TO BE 25 SWG UNLESS OTHERWISE SPECIFIED
4. Ø FOR WIRING SEE GBW 10640 OR EQUIVALENT
5. AT SOME EARLY EXCHANGES THESE LEADS WERE CABLED VIA IDF OR TCF

BATTERY BK 22SWG FUSE 3B U12
EARTH R 22SWG EARTH BAR 3A U11

BATTERY W U12-R1b-R2b-R3b-RB1b-BAe-CEe
EARTH R U11-CE1-BA2-MHa-MH1-B21-B24-B2-CD3-A21-TR1/E-RB1d-TJ1



| | | | | | |
|-----------------------------------------------------------------------------------------|----------|--------------|-------------------------------------|--------------|------|
| | | SLOW RELEASE | | SLOW OPERATE | |
| AUTO-AUTO RELAY SET SPECIAL SERVICES WITH MANUAL HOLD M.X. OR M.A.X. | | | | | |
| CONTACT B2 CORRECTED | (113144) | E | 28-10-86 | GCG | |
| RETRACED | (83791) | D | 16-10-74 | B5H | |
| D4, D5 & R6 ADDED, C1 REPOSITIONED | (86159) | C | 14-10-69 | RW | |
| RELAY CE, SPRING SET HA3 & DIODE ADDED | (89129) | B | 2-8-68 | GE | |
| AMENDMENT PARTICULARS | | | ISSUE | DATE | APPD |
| | | | SIZE A2 50V E | | |
| NZ.PO | | | DRAWN CHECKED WIRING CIRCUIT D.A.E. | | |
| GBW 14591 MOD. A | | | | | |