

TABLE OF CODES												
OUT LET	DIALLED NZ	BPO	3 LAMP DISPLAY LAMPS ALIGHT				AUDIBLE CODE	4 LAMP DISPLAY LAMPS ALIGHT				AUDIBLE CODE
			1	2	3	4		1	2	3	4	
3	03	21	1	2	3	4	5	1	2	3	4	5
4	04	22	1	2	3	4	5	1	2	3	4	5
5	05	23	1	2	3	4	5	1	2	3	4	5
6	06	24	1	2	3	4	5	1	2	3	4	5
7	07	25	1	2	3	4	5	1	2	3	4	5
8	08	26	1	2	3	4	5	1	2	3	4	5
9	09	27	1	2	3	4	5	1	2	3	4	5
10	10	28	1	2	3	4	5	1	2	3	4	5
11	11	29	1	2	3	4	5	1	2	3	4	5
12	12	30	1	2	3	4	5	1	2	3	4	5
13	13	31	1	2	3	4	5	1	2	3	4	5
14	14	32	1	2	3	4	5	1	2	3	4	5
15	15	33	1	2	3	4	5	1	2	3	4	5
16	16	34	1	2	3	4	5	1	2	3	4	5
17	17	35	1	2	3	4	5	1	2	3	4	5
18	18	36	1	2	3	4	5	1	2	3	4	5
19	19	37	1	2	3	4	5	1	2	3	4	5
20	20	38	1	2	3	4	5	1	2	3	4	5
21	21	39	1	2	3	4	5	1	2	3	4	5
22	22	40	1	2	3	4	5	1	2	3	4	5
23	23	41	1	2	3	4	5	1	2	3	4	5
24	24	42	1	2	3	4	5	1	2	3	4	5
25	25	43	1	2	3	4	5	1	2	3	4	5
1	06	44	2	3	4	5	6	1	2	3	4	5
2	05	45	2	3	4	5	6	1	2	3	4	5

- NOTES:-
- FUSING 3-0A PER CIRCUIT.
  - CUT +&-,-&-& H&C STRAPS OF SELECTED EXTENSION.
  - DISCONNECT STRAPS ON UNALLOCATED OUTLETS OF CSB BANK AS REQUIRED (WIRED FOR 22 CODES)
  - U POINTS 9-11 MAKE WHEN RELAY SET IS REMOVED.
  - WHEN VISUAL SIGNALLING IS EMPLOYED:-  
USE CONNS SHOWN ---, FOR 3 LAMP DISPLAY (7 CODES).  
USE CONNS SHOWN ---&---, FOR 4 UNIT SYSTEM (14 CODES).  
USE CONNS SHOWN ---&---&---, FOR 5 LAMP DISPLAY (25 CODES).
  - WHEN AUDIBLE SIGNALLING IS EMPLOYED:-  
USE CONNS SHOWN ---, FOR 3 UNIT SYSTEM (8 CODES).  
USE CONNS SHOWN ---&---, FOR 4 UNIT SYSTEM (15 CODES).  
USE CONNS SHOWN ---&---&---, FOR 5 UNIT SYSTEM (25 CODES).
  - WHEN AUDIBLE WARNING OF VISUAL CODE IS USED:-  
ADD STRAP SHOWN --- FOR SINGLE STROKE BELL (CONT. EARTH).  
ADD STRAP SHOWN --- FOR CONTINUOUS RINGING BELL (INT. EARTH).
  - Ø FOR WIRING SEE GBW 13300 MOD A OR EQUIV.
  - WIRING CHANGES ETC. FROM GBW ORIGINAL SHOWN THUS:-  
NEW CONNS ---  
REMOVED CONNS CONTACTS ETC. ---  
CONNS & STRAPPINGS ALTERED ON BANKS CS1 & CS2.  
NEW RELAYS EQUIPPED A, B, BT, DT, (REF GBW 14550 MOD A).

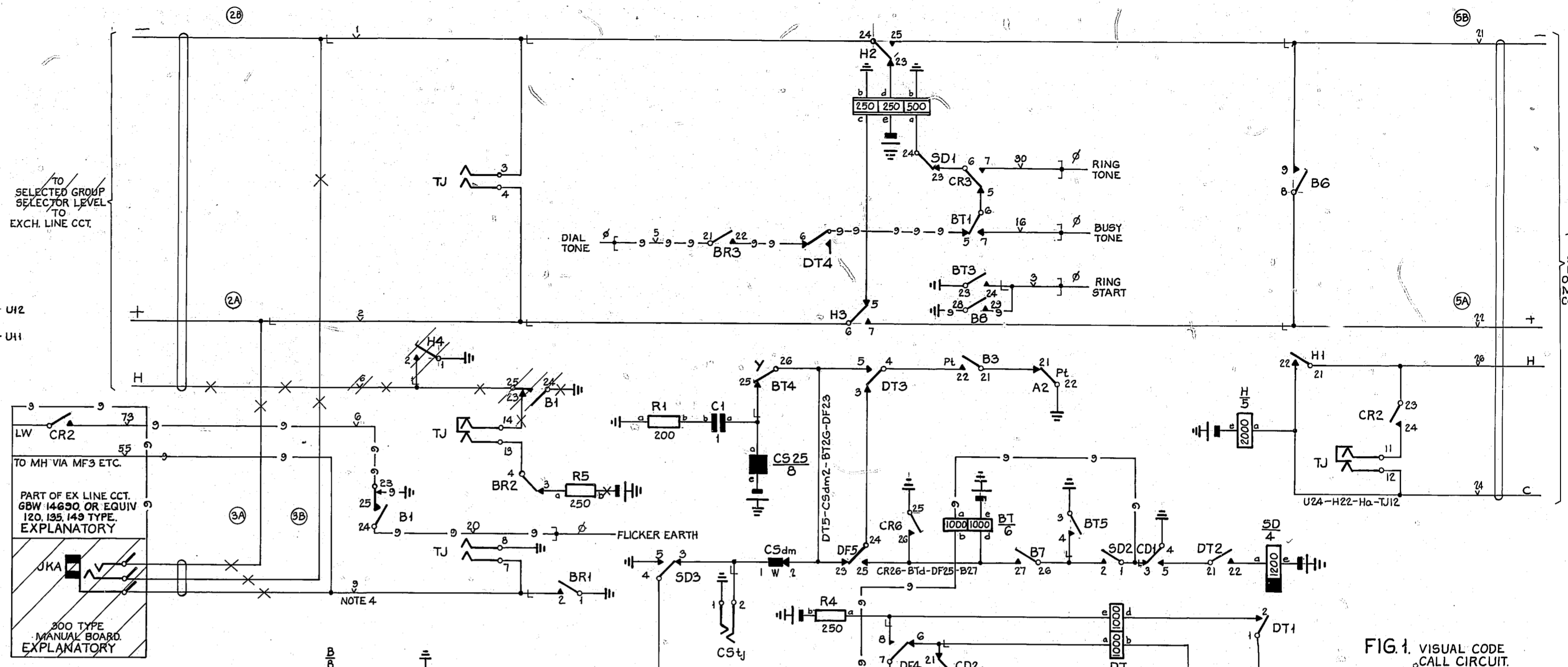


FIG. 1. VISUAL CODE CALL CIRCUIT.

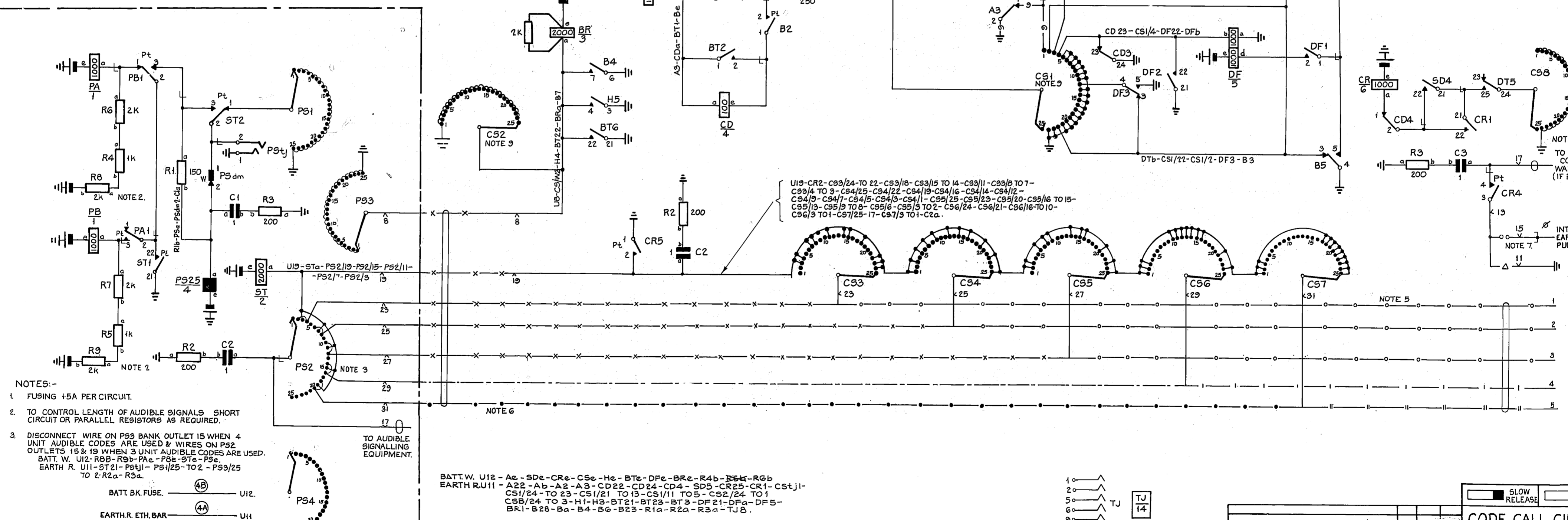
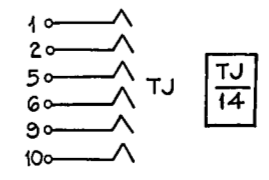


FIG. 2. AUDIBLE CODE CALL AUXILIARY CIRCUIT.

5 Centimetres

BATT. W. U12 - A2 - SDe - CR6 - CS6 - He - BTe - DFe - BR6 - R4b - BT4 - R6b  
EARTH R.U11 - A2 - A2 - A2 - A2 - CD22 - CD24 - CD4 - SD5 - CR25 - CR1 - Cstj1 -  
CS1/24 - TO 23 - CS1/21 - TO 13 - CS1/11 - TO 5 - CS2/24 - TO 1  
CSB/24 - TO 3 - H1 - H3 - BT21 - BT23 - BT3 - DF21 - Dfa - DF5 -  
BR1 - B28 - Ba - B4 - B6 - B23 - R1a - R2a - R3a - TJ8.



CODE CALL CIRCUIT.		(25 VISUAL AND/OR AUDIBLE CODES)	
RETRACED WITH INT. ETH. CHANGED. (1576/G) F 301178 WJH		NEW TPC. INCORP. FROM NZRO. 159'D (91455) E 8-12-64 R.M.	
AMENDMENT	PARTICULARS	ISSUE DATE	APPR.
N.Z.P.O.		DRAWN	CHECKED WIRING CIRCUIT.
GBW		14550 MOD A	