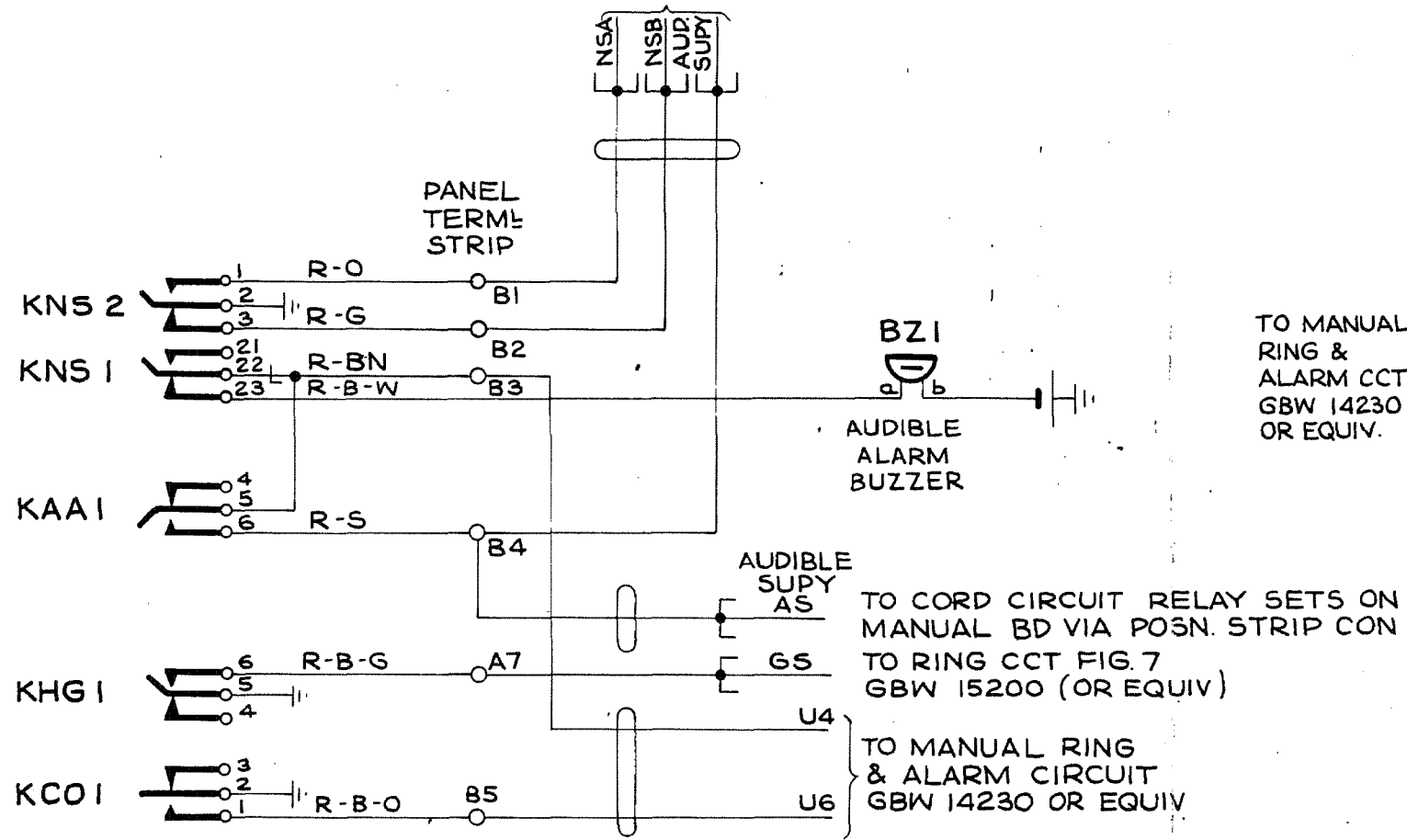
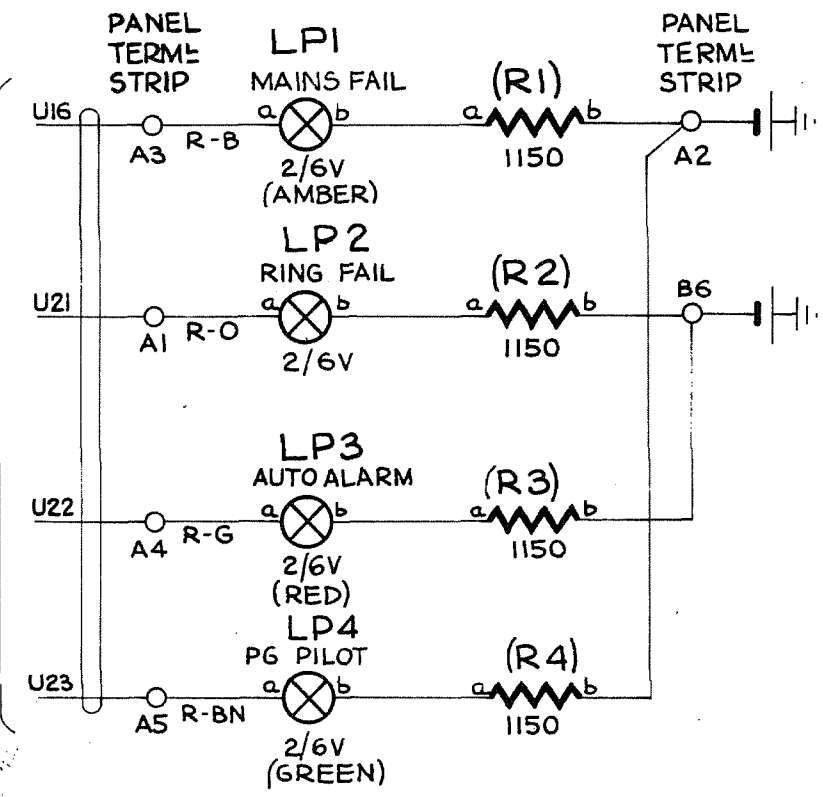


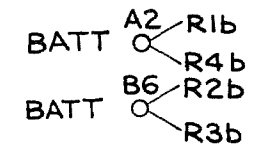
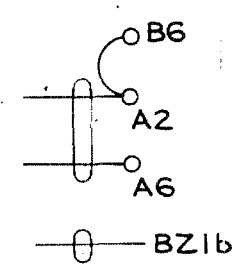
TO RELEVANT RACK MISC
TERMS ON R.S.R.



TO MANUAL
RING &
ALARM CCT
GBW 14230
OR EQUIV.



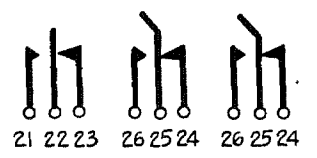
BATT - FUSE ON
ADJ. POSN.
ETH - ETH ON
ADJ. POSN.
BATT - FUSE ON
ADJ. POSN.



NOTES:

- FUSING:
1.54 PER PANEL } FUSED ON
1.54 PER BUZZER } ADJ. POSN
- ALL WIRING NOT OTHERWISE
SPEC'D TO BE 0.5mm.

KCO2 KAA2 KHG 2



NIGHT SERVICE (KNS)	AUDIBLE ALM (KAA)	ALM CUTOFF (KCO)	HAND GEN (KHG)
2	2	2	2

REDRAWN & METRICATED (157615)				1A	11-9-78	G.H.B.
(89882)				1	18-4-64	
AMENDMENT PARTICULARS			ISS	DATE	APP ^D	
N.Z.P.O.			DRAWN STC	CHECKED STC	WIRING	CIRCUIT JABK



C.T.S. ALARM
PANEL
50/1200 P.A.B.X.

SIZE A3 50V

GBW 14221