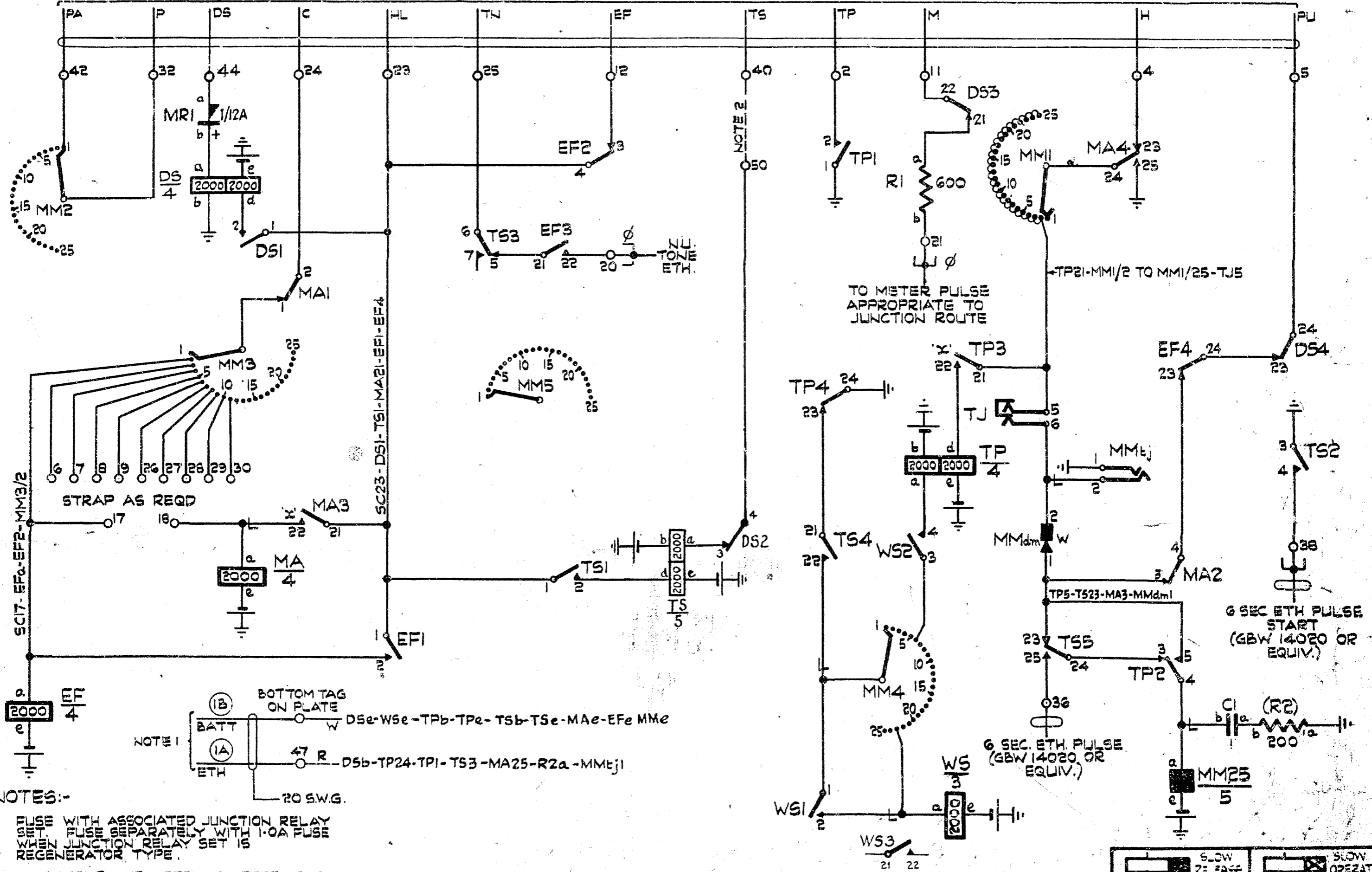
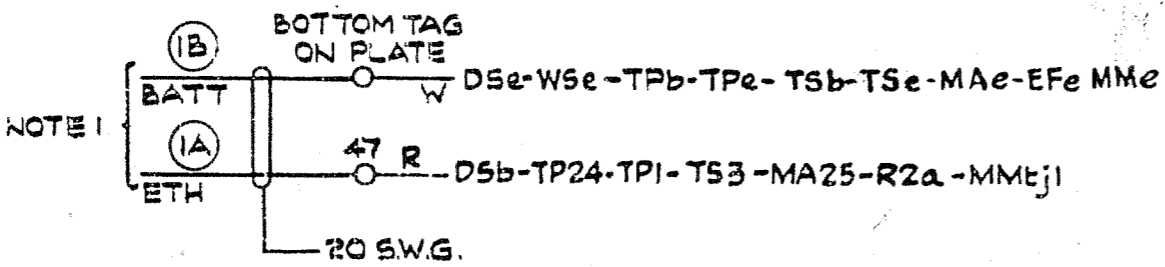


FROM ASSOCIATED O/G JUNCTION R.S. GBW 13930 OR EQUIV.



- NOTES:-
1. FUSE WITH ASSOCIATED JUNCTION RELAY WHEN FUSE SEPARATELY WITH 1.0A FUSE WHEN JUNCTION RELAY SET IS REGENERATOR TYPE.
 2. OMIT STRAP WHEN REPEAT METERING IS NOT REQUIRED.
 3. Ø FOR WIRING SEE G.B.W 13730 OR EQUIV.
 4. ALL WIRING TO BE 25 S.W.G. UNLESS OTHERWISE SPECIFIED.
 5. UNLESS OTHERWISE SPEC'D ALL TERMINALS ARE ON STRIP CONN. AT REAR AND ARE DESIGNATED 'SC' IN WIRING RUNS.



PIR-PIR-PIR TONE ETH DELETED (74880)		3	29.6.63	DBH
TS RELAY WAS SINGLE COILED (30505)		1	8.12.54	cur
AMENDMENT PARTICULARS		ISSUE	DATE	APPD
N.Z.P.O.		DRAWN	CHECKED	WIRING
R.L.		30/1/55	30/1/55	CIRCUIT
		10/1/55	10/1/55	10/1/55

U.A.X. N.Z. 13
ROUTE RESTRICTING & TIMING CIRCUIT

50V H

GBW 13940