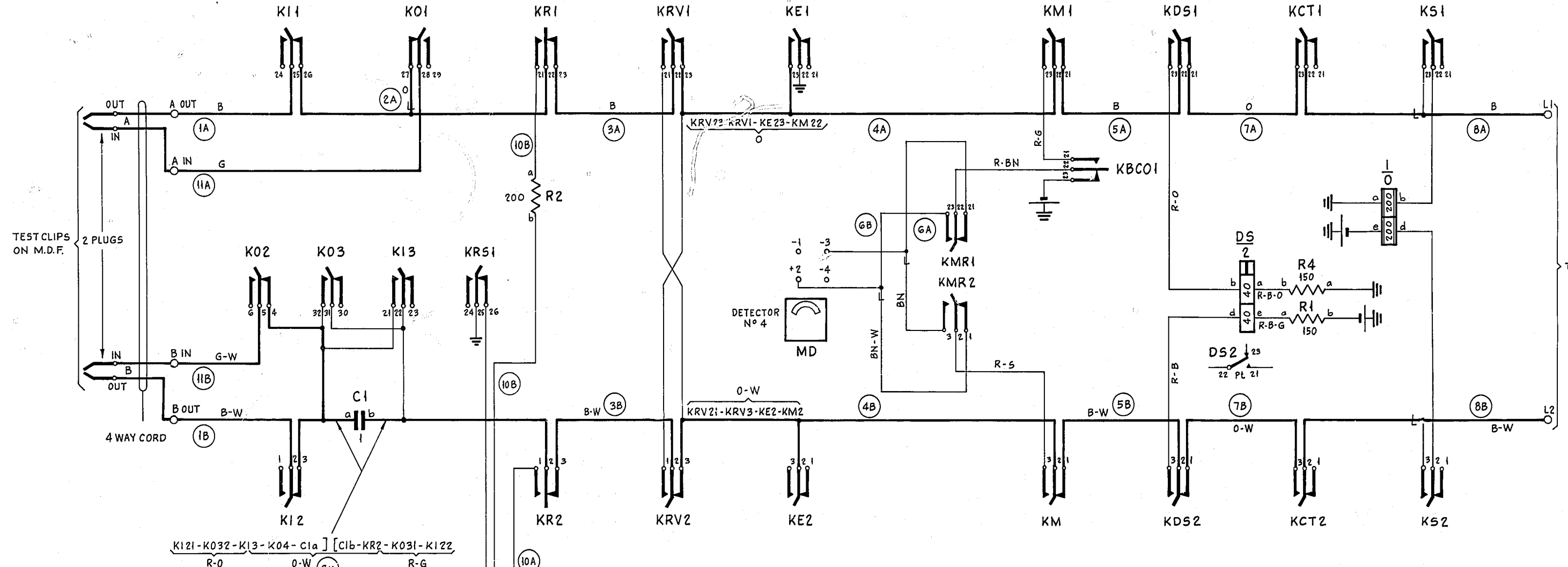
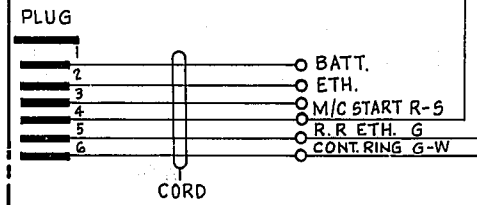
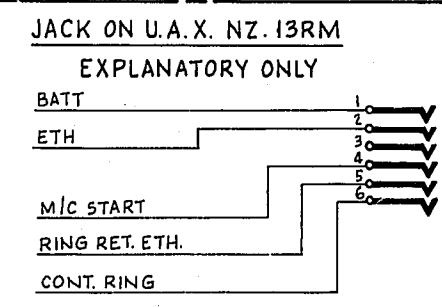


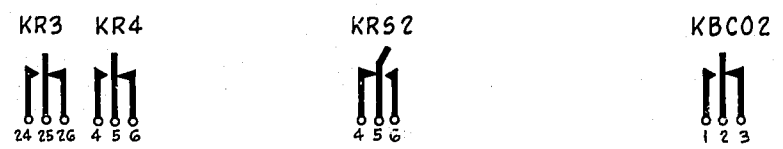
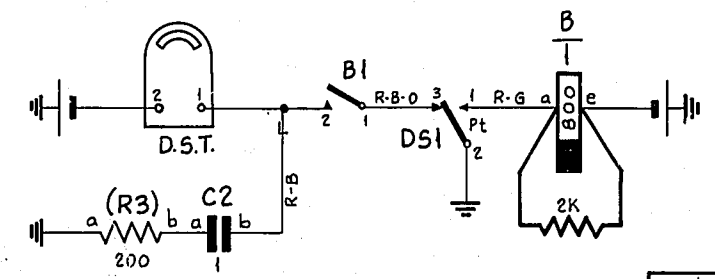
0
5
10
15
20
25
30



BATT. BK. BATT. TERM-KBC023-D5T2-R1b-Bc-le.
ETH. R. ETH. TERM-KE22-KR525-R4a-R3a-D52-1a.



- NOTES:**
- 1 FUSING 1.5A PER CIRCUIT.
 - 2 THE TELEPHONE TO BE OF THE 'M' PARTY LINE TYPE USED IN NEW ZEALAND.
 - 3 UNLESS OTHERWISE SPECIFIED ALL WIRE TO BE 23 S.W.G.



EARTH (KE)	IN (KI)	OUT (KO)	RING (KR)	REVERSE (KRV) RING START (KRS)	VOLTMETER (KM)	VOLTMETER BATT C.O (KBCO)	VOLTMETER REVERSE (KMR)	DIAL SPEED (KDS)	SPEAK (KS)
2	3	3	4	2	2	2	2	2	2

CONNECT TELEPHONE (KCT)	2
DIAL SPEED (KDS)	2
SPEAK (KS)	2

SLOW RELEASE SLOW OPERATE
MULTI-PARTY LINE UNIT
LINE TESTING CIRCUIT
 U.A.X. NZ. 13RM.
 PREPARED FROM GBW 13710 ISS. 2. (30509) A 18-6-72 B.S.H.
 AMENDMENT PARTICULARS. ISSUE DATE APPD
GBW 13710 MOD.A.

TO TELEPHONE (NOTE 2)