

NOTES :-

1. FUSING 1.5A PER CCT.
2. FINDER BANK OUTLETS 1-6 ARE CONNECTED TO FINAL SELECTOR CIRCUITS 1-6 RESPECTIVELY.
3. ALL WIRE UNLESS OTHERWISE SPECIFIED TO BE 25 S.W.G.
4. SHELF JACK U POINTS 9 & 11 MAKE CONTACT WHEN RELAY SET IS REMOVED.
5. Ø FOR WIRING SEE G.B.W. 13700 OR EQUIV.
6. RELAY NU IS DIFFERENTIALLY CONNECTED.

N.Z.P.O. NOTES :-

1. WHEN THIS RELAY SET IS USED IN A REMOTE N.Z. 13 R OR N.Z. 13 RM UNIT TO TERMINATE AN INCOMING UNIDIRECTIONAL OR BOTHWAY JUNCTION, EARTH IS TO BE CONNECTED TO U POINT 8 AND THE LINK REMOVED FROM TJ7 AND 8.

TO UAX 13 GROUP SELR. MULT OR TO JUNCTION RELAY SET VIA IDF MULT.

FIG. 1

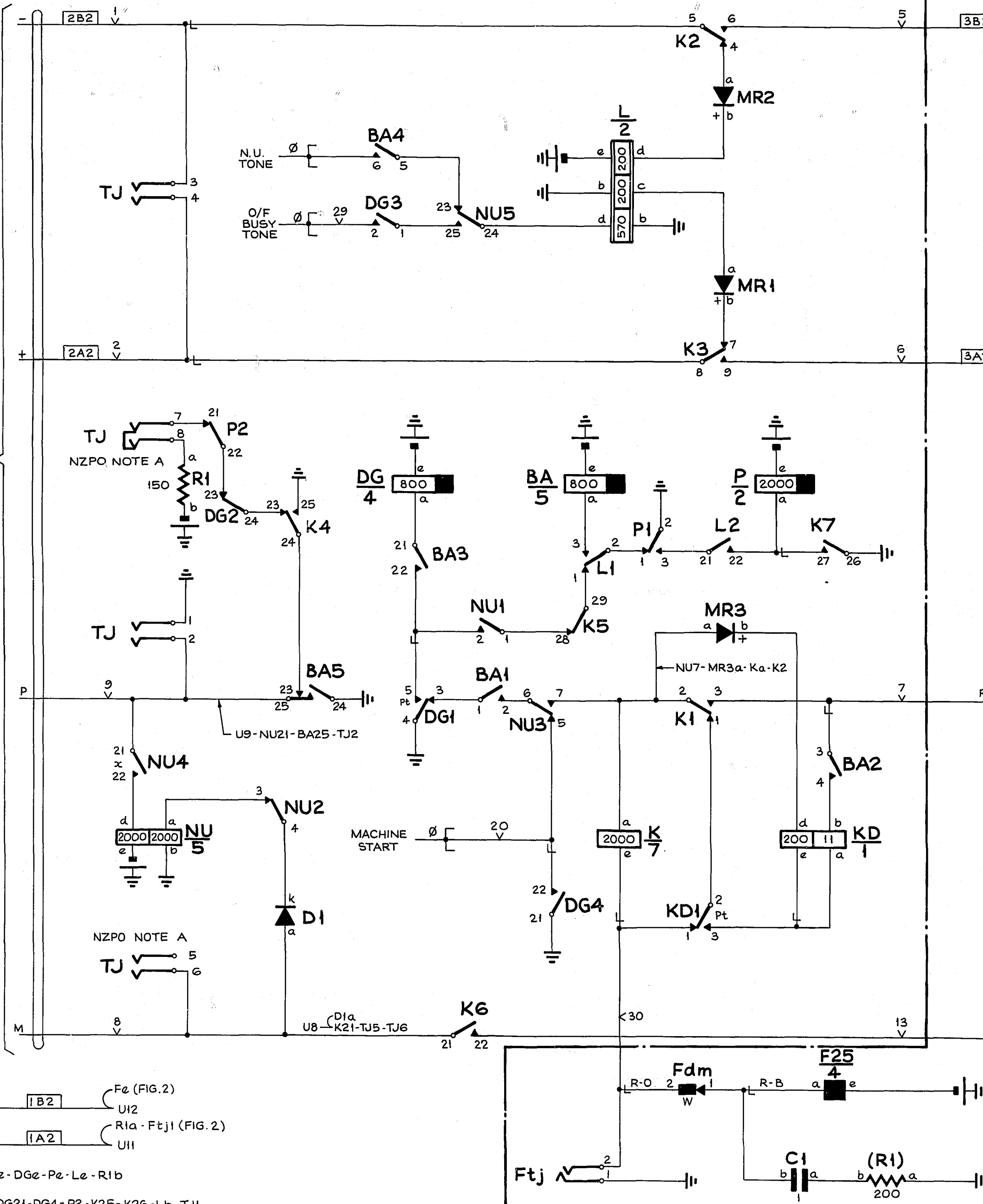
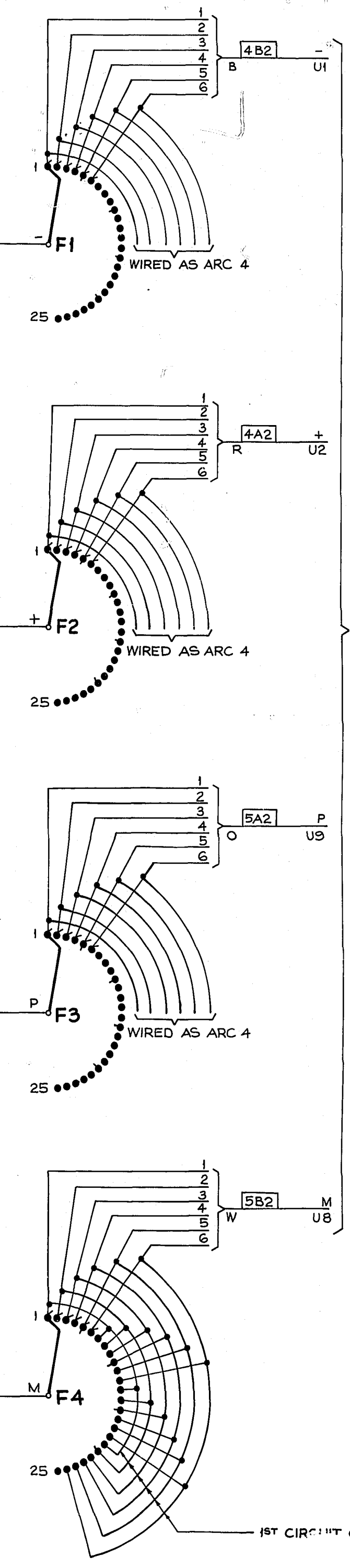
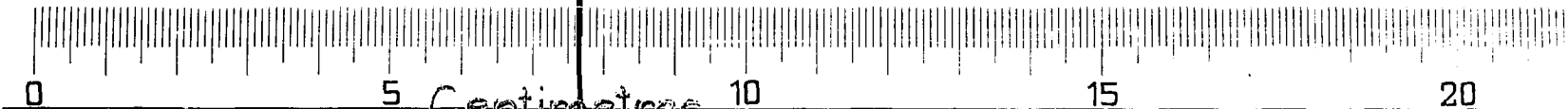


FIG. 2



TO PARTY LINE FINAL SELECTOR CIRCUIT GBW 13660 OR EQUIV. NOTE 2.

- BATT. BK FUSE — B2 — Fe (FIG.2) U12
- ETH. R ETH BAR — A2 — R1a - Ftj1 (FIG. 2) U11
- BATT. W U12 - BA2 - DG2 - DG4 - P2 - K25 - K26 - Lb - TJ1
- ETH. R U11 - BA21 - DG21 - DG4 - P2 - K25 - K26 - Lb - TJ1



NZPO	PREPARED FROM GBW 13680 ISS. 5A (1963/65)	NOT TO BE USED FOR NEW WORK	INCOMING JUNCTION RELAY SET MULTI-PARTY LINE UNIT UAX NZ 13 R
	AMENDMENT PARTICULARS		
DRAWN	IGS	DATE	APPR
CKD	19-2-75	B.S.H.	
WIRING			
CIRCUIT			
GBW 13680 MOD A	SIZE A2	SOV	C

SLOW RELEASE  
 SLOW OPERATE