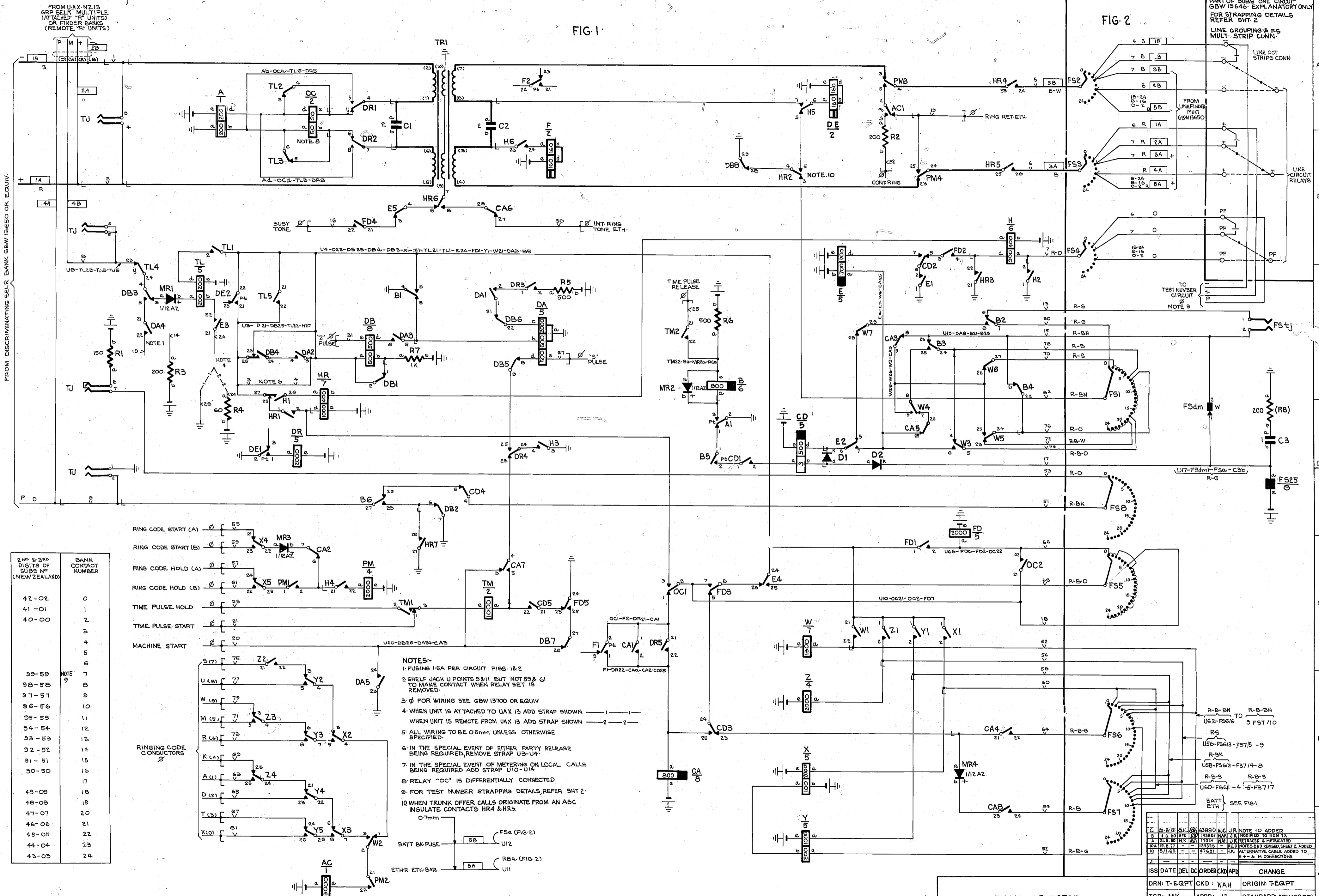
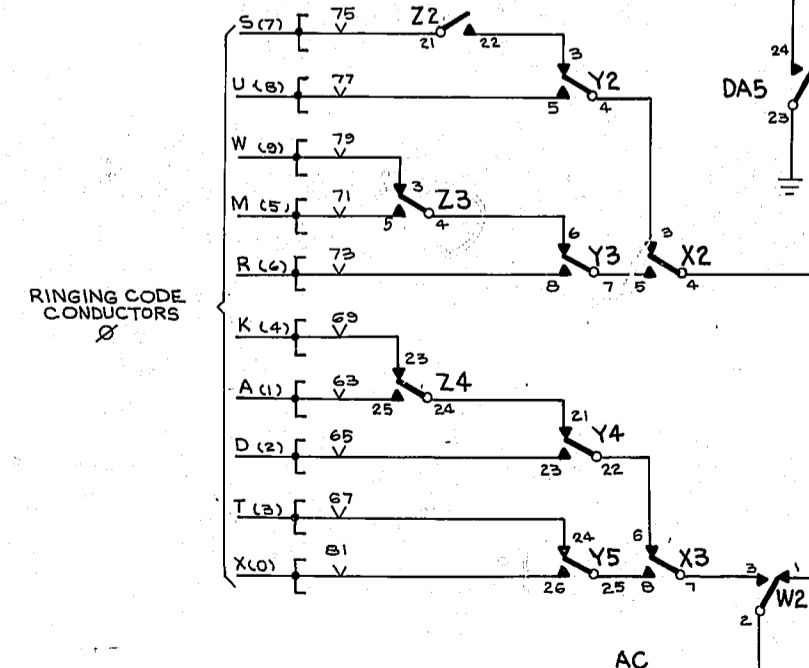


FIG. 1

FIG. 2



2ND & 3RD DIGITS OF SUBS NO (NEW ZEALAND)	BANK CONTACT NUMBER
42-02	0
41-01	1
40-00	2
	3
	4
	5
	6
39-59	7
38-58	8
37-57	9
36-56	10
35-55	11
34-54	12
33-53	13
32-52	14
31-51	15
30-50	16
	17
43-03	18
42-02	19
41-01	20
40-00	21
	22
	23
	24



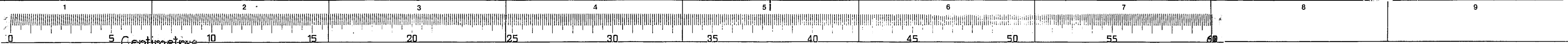
- NOTES:-
- 1-FUSING 1.5A PER CIRCUIT FIGS. 1 & 2
 - 2-SHELF JACK U POINTS 3 & 11 BUT NOT 5 & 6 TO MAKE CONTACT WHEN RELAY SET IS REMOVED.
 - 3-Ø FOR WIRING SEE GBW 13700 OR EQUIV
 - 4-WHEN UNIT IS ATTACHED TO UAX 13 ADD STRAP SHOWN WHEN UNIT IS REMOVED FROM UAX 13 ADD STRAP SHOWN
 - 5-ALL WIRING TO BE 0.5mm UNLESS OTHERWISE SPECIFIED.
 - 6-IN THE SPECIAL EVENT OF EITHER PARTY RELEASE BEING REQUIRED, REMOVE STRAP U3-U4.
 - 7-IN THE SPECIAL EVENT OF METERING ON LOCAL CALLS BEING REQUIRED, ADD STRAP U10-U14.
 - 8-RELAY "OC" IS DIFFERENTIALLY CONNECTED
 - 9-FOR TEST NUMBER STRAPPING DETAILS, REFER SHT. 2.
 - 10-WHEN TRUNK OFFER CALLS ORIGINATE FROM AN ASC INSULATE CONTACTS HR4 & HR2.

BATT. W. U12-A2-E2-F2-HR4-X2-X2-Z2-AC2-TL2-E2-E2-DM2-FD2-Y2-M2-H2-DR2-CA2-CD2-R1B-R4B-R5B-R6B-RAB
 ETH. R. U11-U2B-TR1/10-A2-A2-D2-DB2-DB2-DB2-HR26-HR27-E1-FD24-H1-R33-DA23-DA2-B4-TJ1

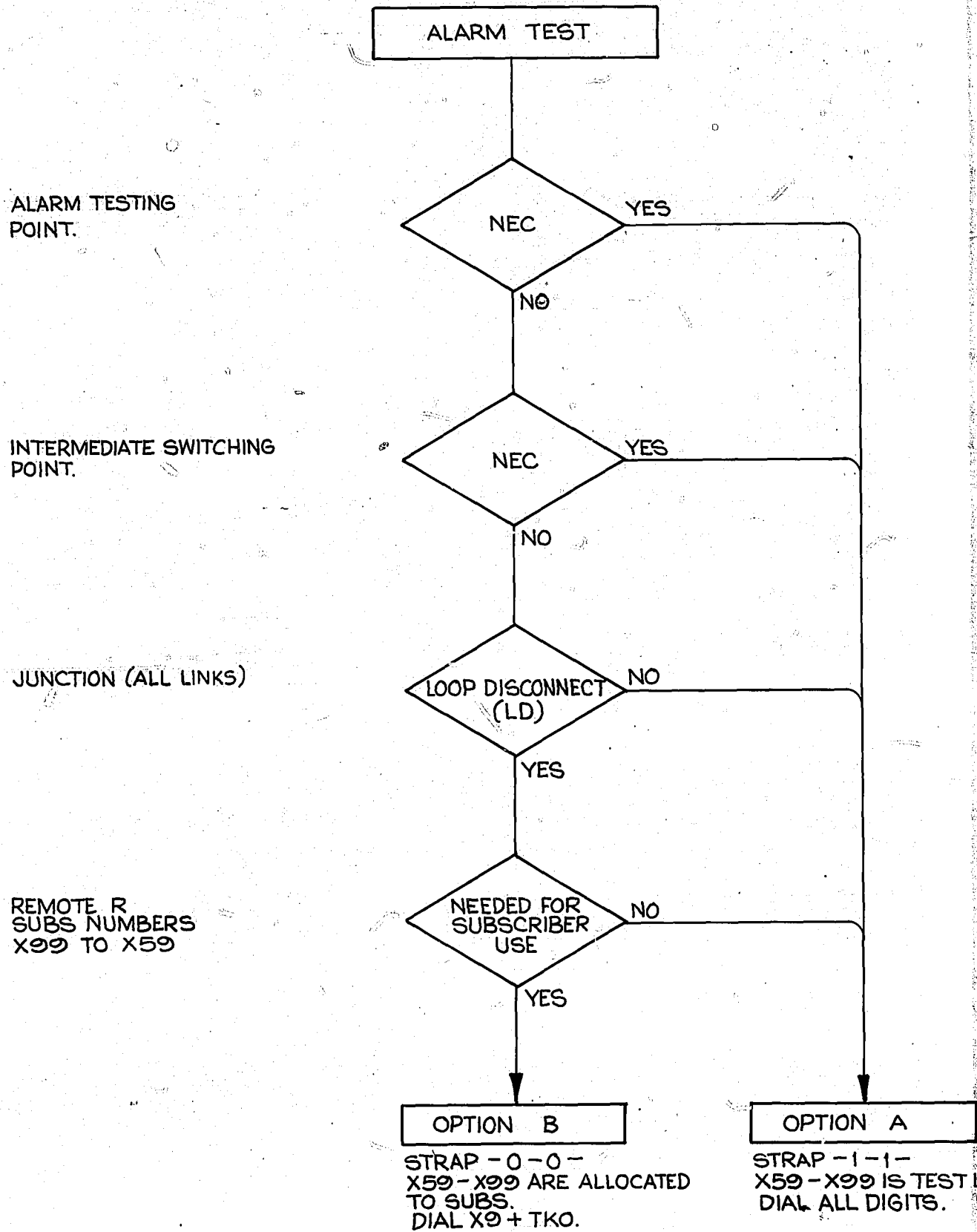
FINAL SELECTOR FOR MULTI PARTY LINES UAX NZ 13R

ISS DATE	DEL	DC	ORDER	CHKD	APPD	CHANGE
DRN: T-EQPT	CKD: WAH	ORIGIN: T-EQPT				
TCD: MK	APPD: JR	STANDARD: ATW 22001				
NZPO ENGINEER-IN-CHIEF, WELLINGTON						
SHT 1 OF 2						
SIZE A1						
GBW 13660						

UD 237



STRAPPING DETAIL FOR FIG. 2



ALARM TESTING POINT.

INTERMEDIATE SWITCHING POINT.

JUNCTION (ALL LINKS)

REMOTE R SUBS NUMBERS X00 TO X59

OPTION B

STRAP - 0 - 0 -
X59 - X99 ARE ALLOCATED
TO SUBS.
DIAL X0 + TKO.

OPTION A

STRAP - 1 - 1 -
X59 - X99 IS TEST LINE
DIAL ALL DIGITS.



DEL	CKD	APD	ORDER	DATE	ISS	CHANGE
RRR	RED	RED	129323	12-9-77	A	
GFK	WAH	JR	193667	11-8-80	B	NO CHANGE. SHT 1 AMENDED.
SJC	AJC	JR	63880	20-8-81	C	NO CHANGE. SHT 1 AMENDED.

N Z P O ENGINEER - IN - CHIEF WELLINGTON

**FINAL SELECTOR FOR
MULTI PARTY LINES
UAX NZ 13R**

COY. NO	2 OF 2	GBW 13660
ORIGIN T. EQPT.	A4	
DWNT. EQPT. TCD RRR.		