

0
5
10
15
20
25
30
CENTIMETRES

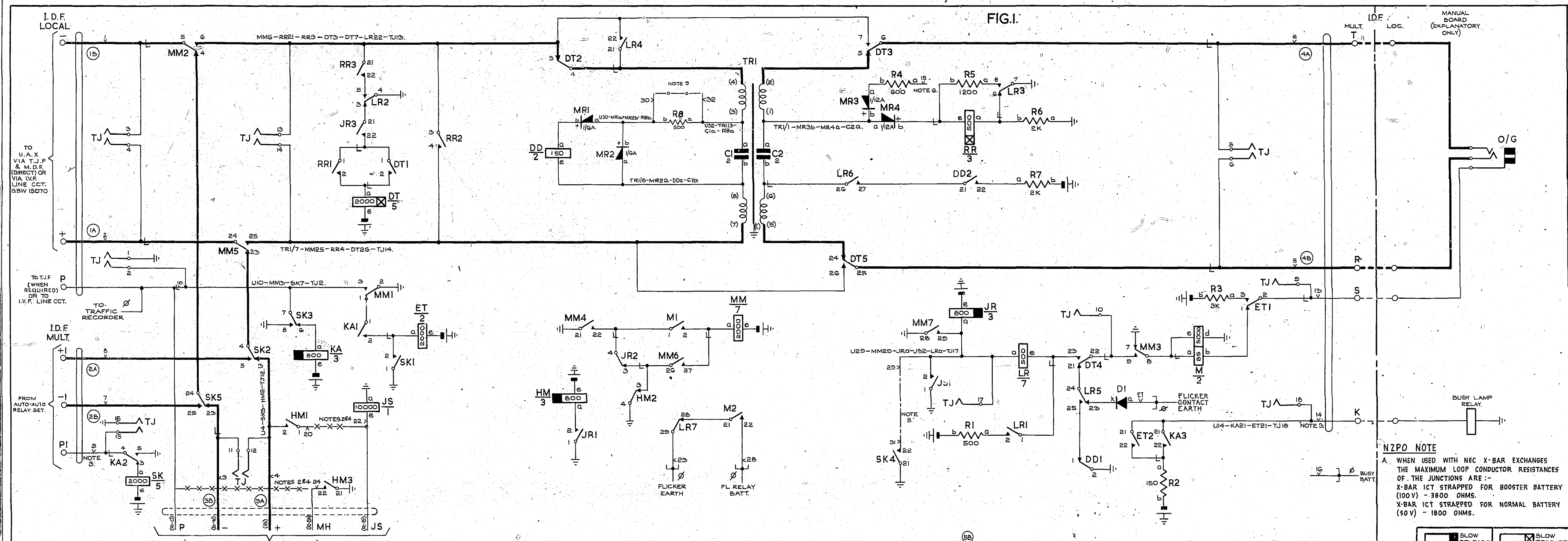


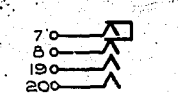
FIG. 1

- NOTES:-
1. FUSING 1.5A PER CIRCUIT.
 2. FOR UNIDIRECTIONAL WORKING, STRAP U20-U22 AND U10-24 SHOWN .
 3. SHELF JACK POINTS U5 & U11 AND U14 & U16 MAKE CONTACT WHEN RELAY SET IS JACKED OUT.
 4. BOTHWAY WORKING
 a) D.C. JUNCTIONS CONNECT P-, +, MH, JS TO INCOMING RELAY SET AND OMIT STRAPS -X-
 b) I.V.F. JUNCTIONS, CONNECTIONS TO INCOMING RELAY SET AND STRAPS -X- ARE OMITTED.

5. WHEN A MULTI-METERING RELAY SET IS USED IN CONJUNCTION WITH THIS CCT, REMOVE STRAP BETWEEN U29-U31 SHOWN .
6. U15 TO BE STRAPPED TO U11 WHEN CIRCUIT IS ASSOCIATED WITH AN UNDER 30DB UNREPEATED LINE.
7. FOR WIRING SEE GBW.10640 OR EQUIVALENT.
8. ALL WIRING TO BE 25 SWG UNLESS OTHERWISE SPECIFIED.

9. STRAP U30-U32 WHEN JUNCTION RESISTANCE EXCEEDS 500Ω

- BATT. BK 22 SWG. FUSE PANEL U12
- EARTH. R 22 SWG. EARTH BAR. U11
- BATT. W. U12-MME-JRE-SKE-KAC-DTE-HME-ETE-R15-R21-R35-R76
- ETH. R. U11-TR1E-MM21-MM28-MM2-MM7-JR1-JS1-JS1-SK21-SK1-SK8-Md-KA5-HM21-HM4-DD2-LR4-LR7-R6a-TJ1-TJ16.



NZPO NOTE

A. WHEN USED WITH NEC X-BAR EXCHANGES THE MAXIMUM LOOP CONDUCTOR RESISTANCES OF THE JUNCTIONS ARE:-
 X-BAR ICT STRAPPED FOR BOOSTER BATTERY (100V) - 3800 OHMS.
 X-BAR ICT STRAPPED FOR NORMAL BATTERY (50V) - 1800 OHMS.

SLOW RELEASE	SLOW OPERATE																					
O/G JUNCTION RELAY SET WITH BOTHWAY SWITCHING TO UAX. NZ, NO.13 PARENT FOR S.C.S. SW.BD. 2000 TYPE																						
AMENDMENT PARTICULARS.																						
ISSUE DATE	APPD																					
REF-659.21.17.	SIZE L																					
SOV.	W.																					
<table border="1"> <tr> <td>NZPO</td> <td>DRAWN T.D.</td> <td>CHECKED</td> <td>WIRING</td> <td>CIRCUIT</td> </tr> </table>		NZPO	DRAWN T.D.	CHECKED	WIRING	CIRCUIT																
NZPO	DRAWN T.D.	CHECKED	WIRING	CIRCUIT																		
<table border="1"> <tr> <td>5B</td> <td>0-10-81</td> <td>JR</td> </tr> <tr> <td>5A</td> <td>27-074</td> <td>B-S-H</td> </tr> <tr> <td>5</td> <td>13-2-63</td> <td>D.B.H.</td> </tr> <tr> <td>4</td> <td></td> <td></td> </tr> <tr> <td>3</td> <td></td> <td></td> </tr> <tr> <td>2</td> <td></td> <td></td> </tr> <tr> <td>1</td> <td></td> <td></td> </tr> </table>		5B	0-10-81	JR	5A	27-074	B-S-H	5	13-2-63	D.B.H.	4			3			2			1		
5B	0-10-81	JR																				
5A	27-074	B-S-H																				
5	13-2-63	D.B.H.																				
4																						
3																						
2																						
1																						
<table border="1"> <tr> <td>GBW.13620.</td> </tr> </table>		GBW.13620.																				
GBW.13620.																						