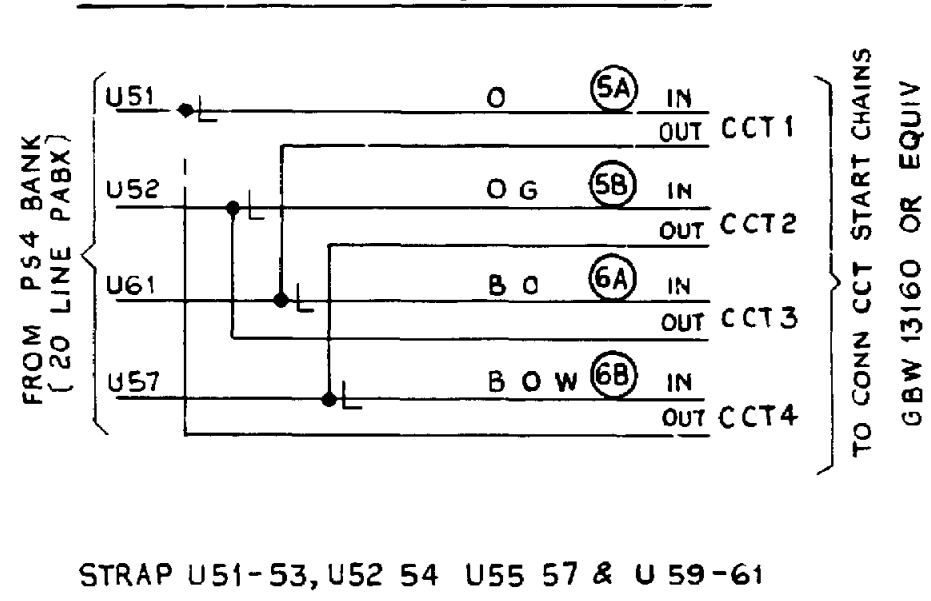
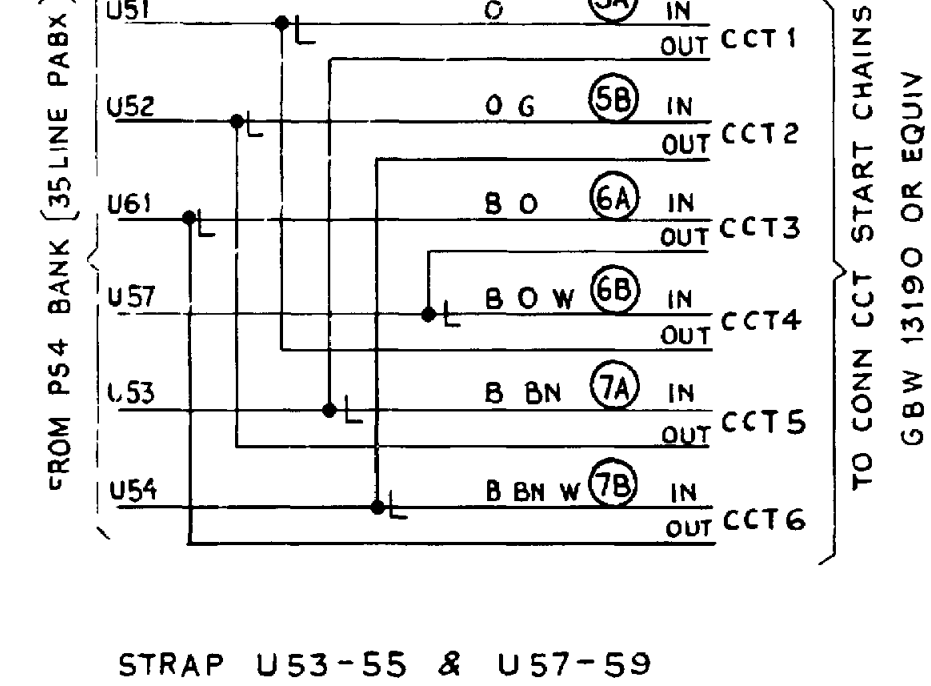


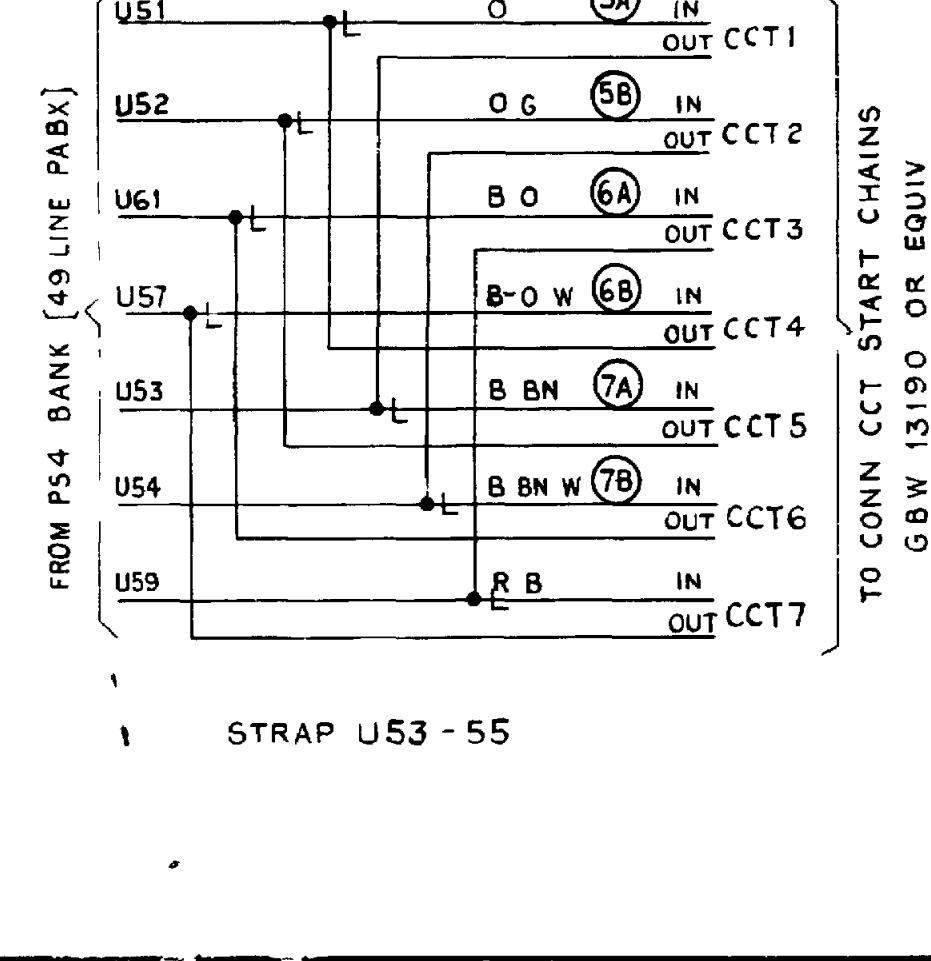
FIG 1 B CONN CCT START CHAIN



STRAP U51-53, U52-54 U55-57 & U59-61

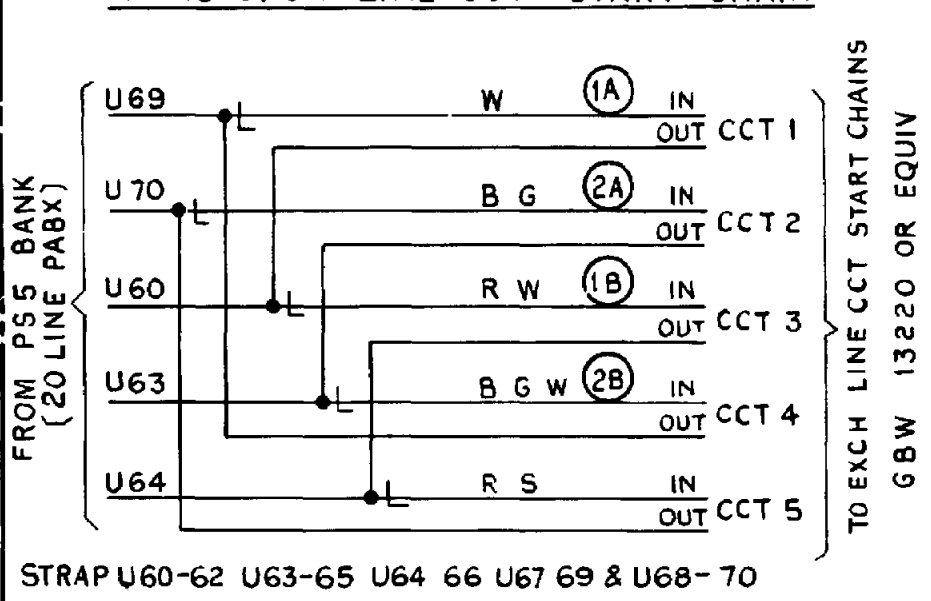


STRAP U53-55 & U57-59

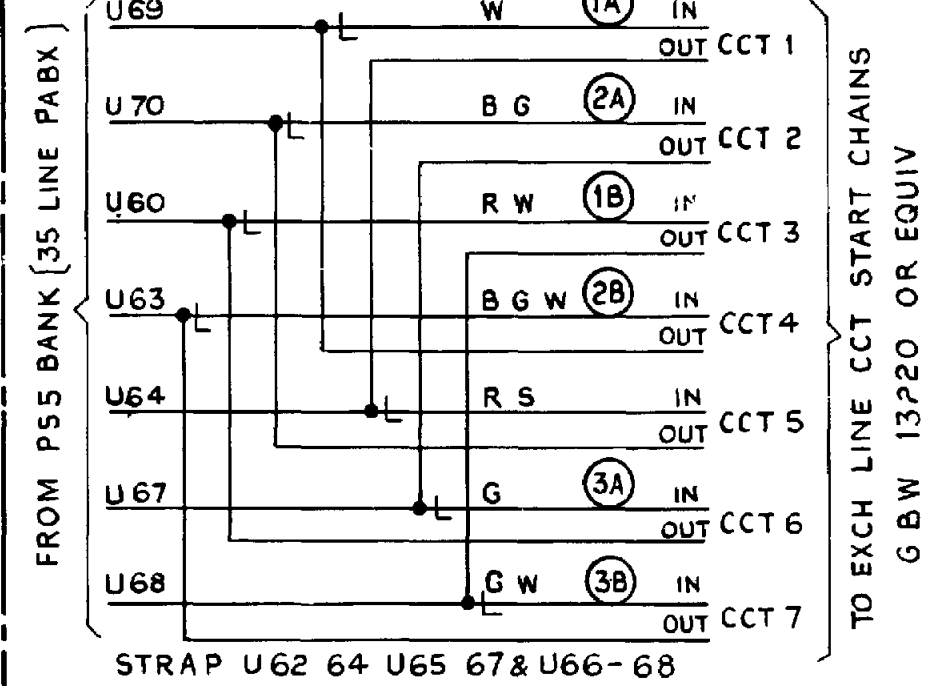


STRAP U53-55

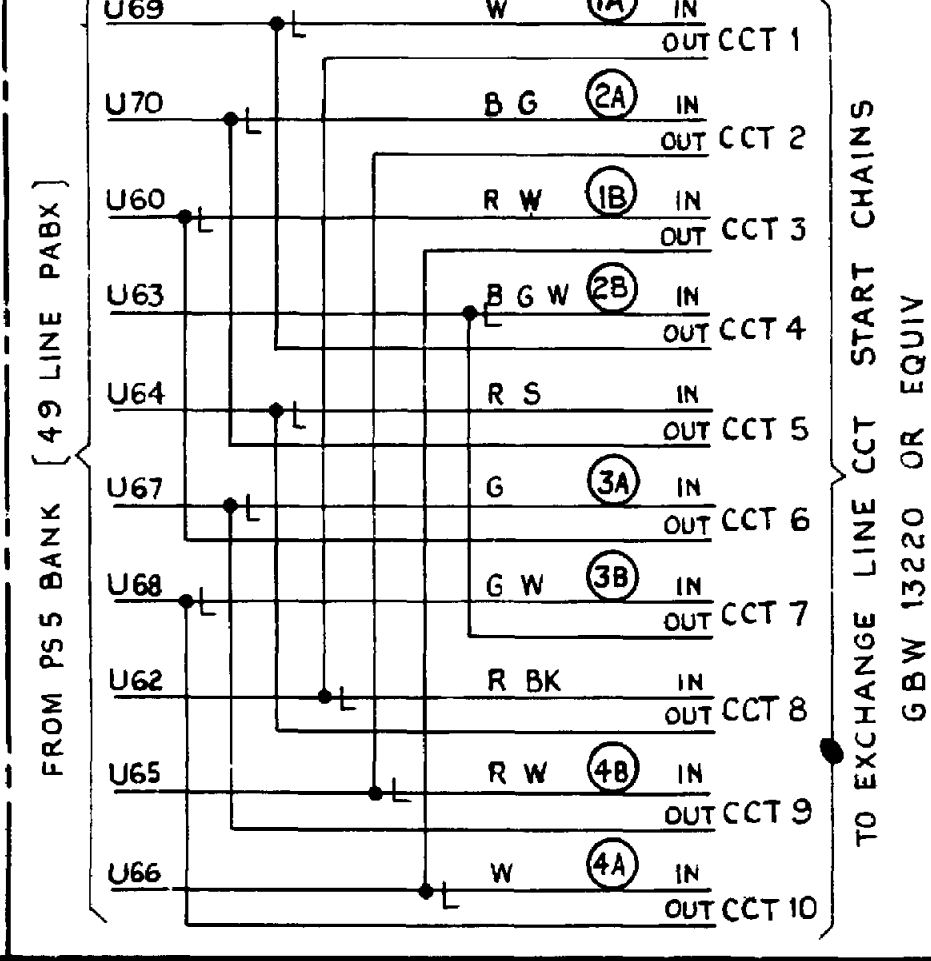
FIG 1 C EXCH LINE CCT START CHAIN



STRAP U60-62 U63-65 U64-66 U67-69 & U68-70

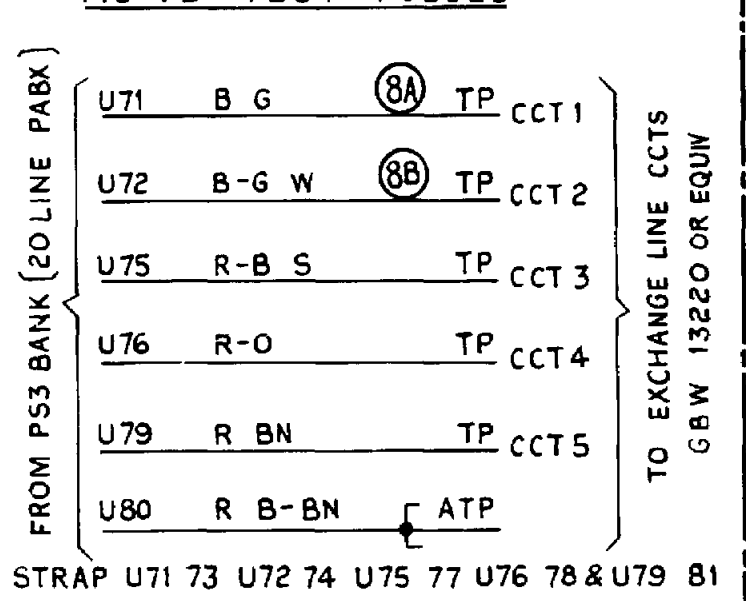


STRAP U62-64 U65-67 & U66-68

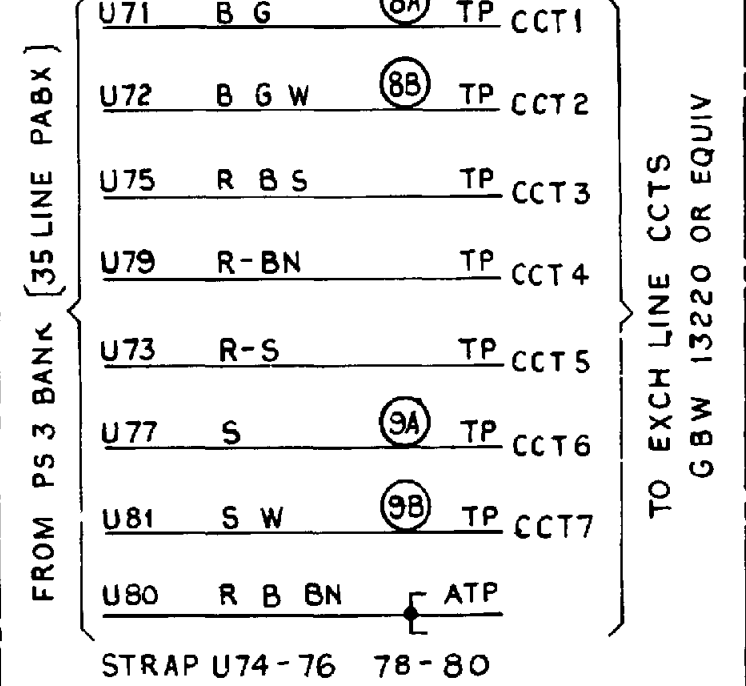


STRAP U62-64 U65-67 & U66-68

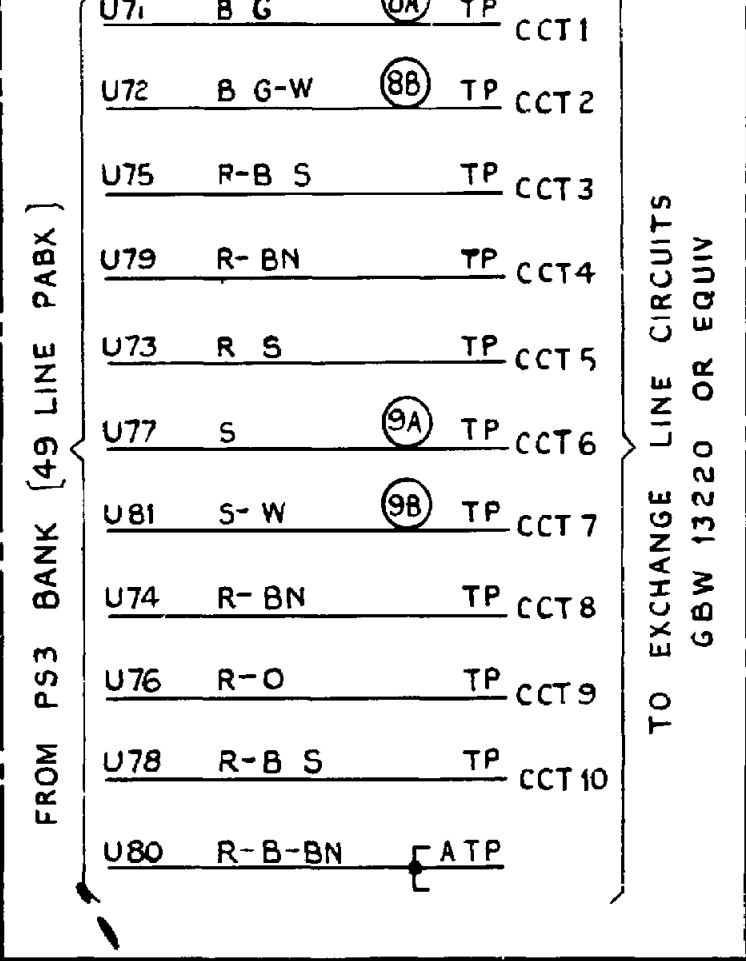
FIG 1 D TEST PULSES



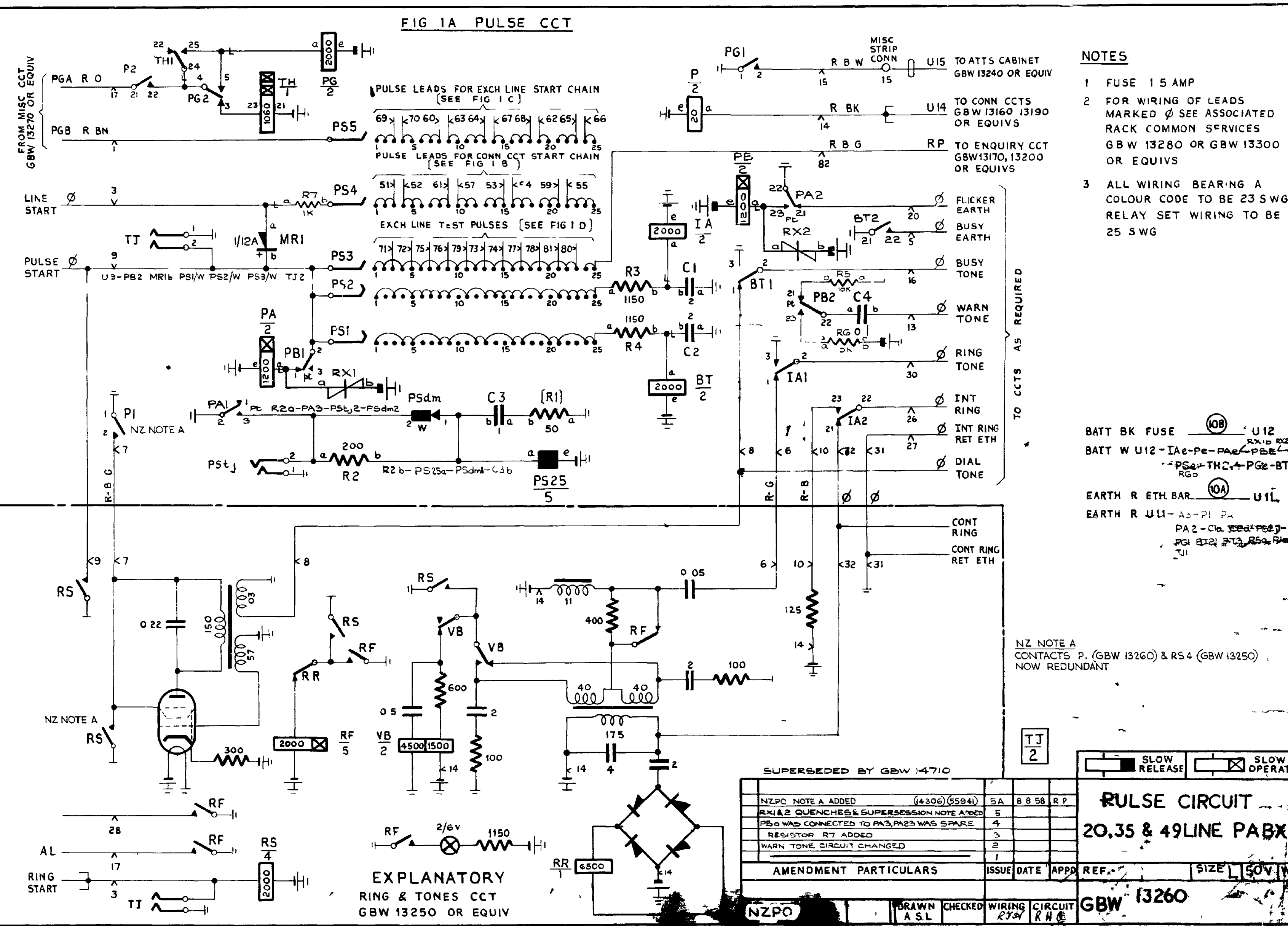
STRAP U71-73 U72-74 U75-77 U76-78 & U79-81



STRAP U74-76 78-80



STRAP U74-76 78-80



EXPLANATORY RING & TONES CCT GBW 13250 OR EQUIV

- NOTES**
- FUSE 1.5 AMP
  - FOR WIRING OF LEADS MARKED Ø SEE ASSOCIATED RACK COMMON SERVICES GBW 13280 OR GBW 13300 OR EQUIVS
  - ALL WIRING BEARING A COLOUR CODE TO BE 23 SWG RELAY SET WIRING TO BE 25 SWG

- BATT BK FUSE (10B) U12  
 BATT W U12-IAe-Pe-PAe-PBe  
 EARTH R ETH BAR (10A) U1L  
 EARTH R U11-A5-PI PA  
 PA 2-Cl. 3-Ed. PBe  
 PG1 BT2 BT3 B50 PA  
 TJ

NZ NOTE A CONTACTS P. (GBW 13260) & RS 4 (GBW 13250) NOW REDUNDANT

SUPERSEDED BY GBW 14710

NZPO NOTE A ADDED (4306)(5594)	5A	B 8 58	R P
RX1 & 2 QUENCHES & SUPERSESSION NOTE ADDED	5		
PB3 WAS CONNECTED TO PA3, PA23 WAS SPARE	4		
RESISTOR R7 ADDED	3		
WARN TONE CIRCUIT CHANGED	2		
	1		

AMENDMENT PARTICULARS

ISSUE	DATE	APPR	REF.
-------	------	------	------

SIZE L 50V M

GBW 13260

NZPO

DRAWN ASL CHECKED R34 WIRING RHO CIRCUIT RHO