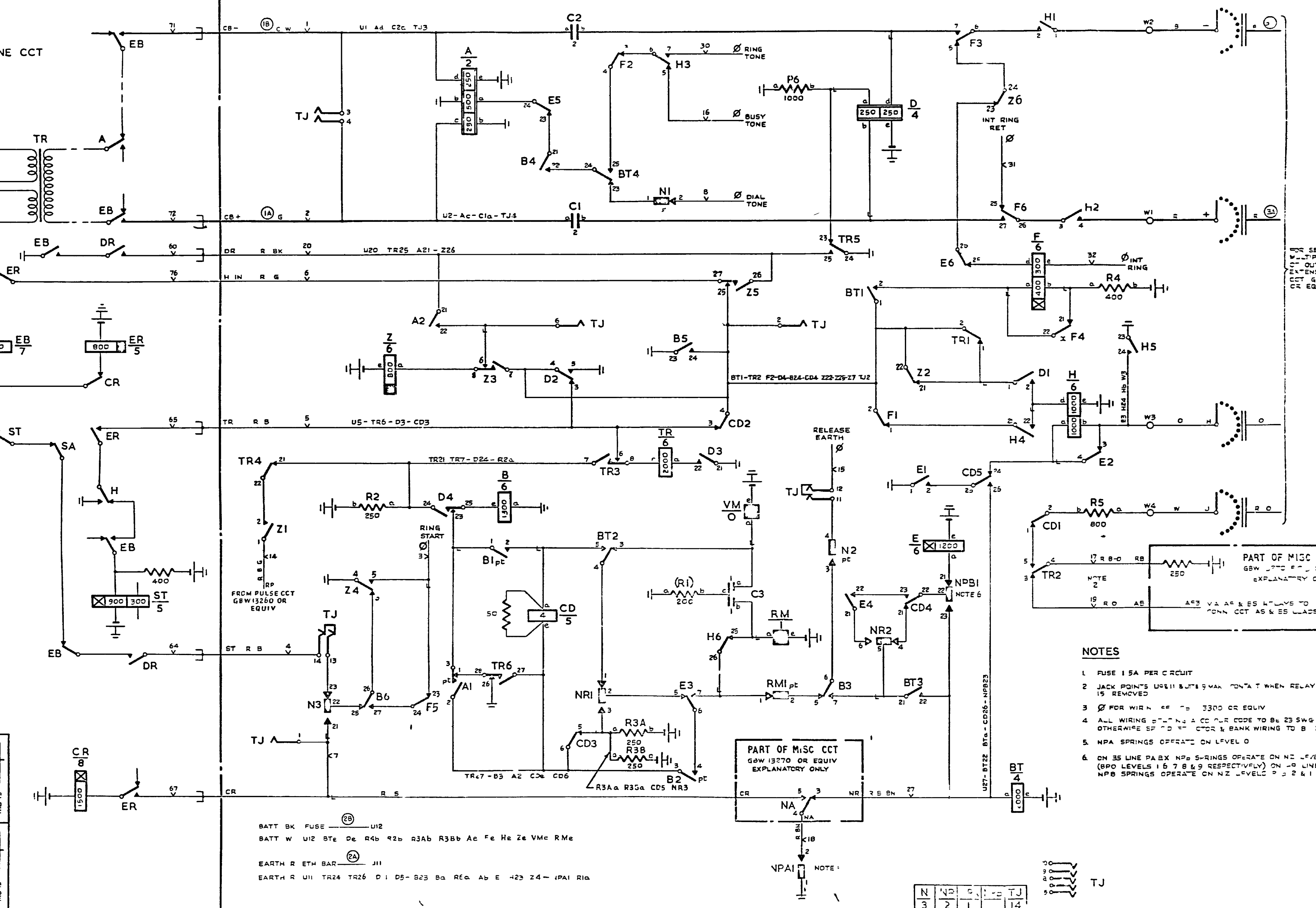


PART OF EXCH LINE CCT
GBW 13220 OR EQUIV
EXPLANATORY ONLY

TO NEXT EXCH LINE
CCT IN LEAD

FOR SEQUENCE OF
MULTIPLES & WIRING
OUTLETS SEE
EXTENSION LINE
CCT GBW 13210
OR EQUIV

AMENDMENT PARTICULARS	ISSUE DATE	Appd
1		
2		
3		
4		
5		
SUPERSESSION NOTE ADDED		
RELAY CHANGED CONTACT & ADDED		
CONNECTIONS TO DR & Z1 REVISED		
R3B ADDED R3A WAS R3		
SUPERSEDED BY GBW 14680		
35/49 LINE PABX		
ENQUIRY CIRCUIT		
GBW 13200		
50V		
RELEASE		
OPERATE		



BATT BK FUSE U12
BATT W U12 BTe De R4b R2b R3Ab R3Bb Ae Fe He Ze VMe RMe
EARTH R ETH BAR J11
EARTH R U11 TR24 TR26 D1 D5-B23 Ba REa Ab E +23 Z4 - I PAI R1a

PART OF MISC CCT
GBW 13270 OR EQUIV
EXPLANATORY ONLY

PART OF MISC CCT
GBW 13210 OR EQUIV
EXPLANATORY ONLY

NOTES

- 1 FUSE 1.5A PER CIRCUIT
- 2 JACK POINTS USE 11 BUT 9 MAX CONTACT WHEN RELAY SET 15 REMOVED
- 3 Ø FOR WIRING SEE 3300 OR EQUIV
- 4 ALL WIRING SHALL BE TO A C.C. OR CODE TO BE 23 SWG UNLESS OTHERWISE STATED IN C.C. & BANK WIRING TO B 25 SWG
- 5 NPA SPRINGS OPERATE ON LEVEL 0
- 6 ON 35 LINE PABX NPB SPRINGS OPERATE ON NZ LEVEL 59.4 P & 1 (BPO LEVELS 1 6 7 8 & 9 RESPECTIVELY) ON 40 LINE PABX NPB SPRINGS OPERATE ON NZ LEVELS P & 2 & 1

N	NR	D	F	TJ
3	2	1		14

