

FIG. 1.

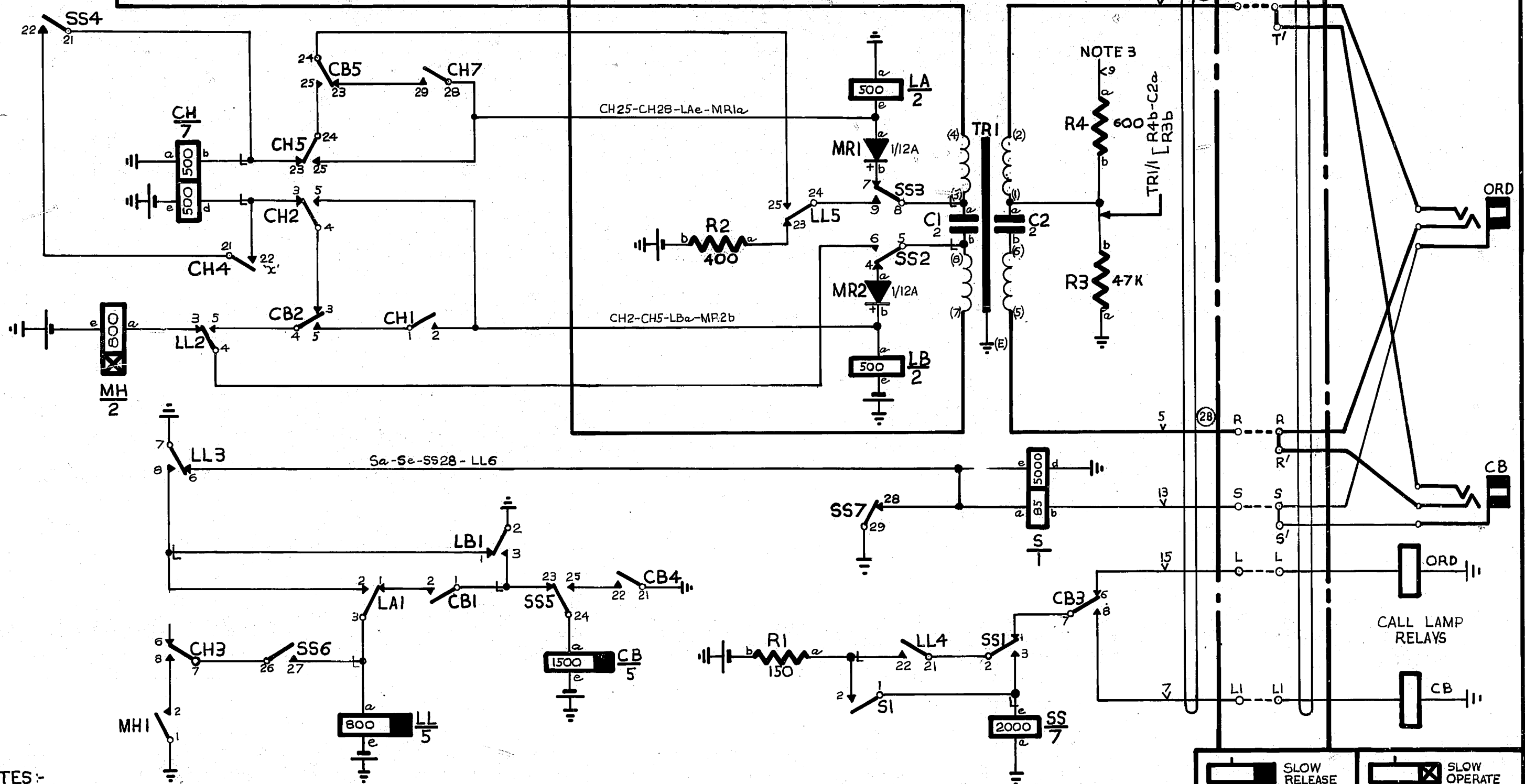
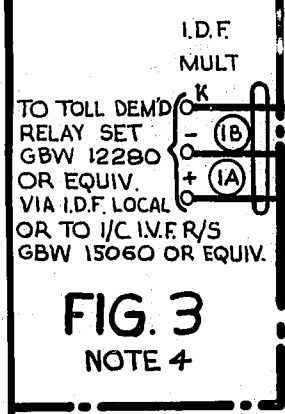


FIG. 2
I.D.F.
MANUAL BOARD (EXPLANATORY ONLY)

- NOTES:-
1. FUSE -1.5A PER RELAY SET.
 2. UNLESS OTHERWISE SPECIFIED ALL WIRING TO BE 0.5mm
 3. STRAP SHELF JACK POINTS U9 & U11 WHEN CIRCUIT IS ASSOC^d WITH AN UNDER 3 DB UNREPEATED LINE.
 4. WHEN FIG.3 IS REQUIRED ADD WIRING SHOWN THUS AND OMIT WIRING SHOWN THUS IN FIG.1
 5. FOR BOTHWAY WORKING CONNECT TO GBW13140 OR EQUIV. FOR UNIDIRECTIONAL WORKING K LEAD IS NOT CONNECTED & -VE & +VE LEADS ARE CONNECTED TO JUNC.
 6. Ø FOR WIRING SEE GBW 10640 OR EQUIV
- ETH. R :- U 11-TR1/E-CH26-CHa-LA21-LAa-Sa-SS29-SSa-MH21-MH1-CB21-LB21-LB2-LL1-LL7-TJ1
- BATT. FUSE 0.7mm Bk (3B) U12
- ETH BAR 0.7mm R (3A) U11
- BATT. W:- U12-CHe-MHe-CBe-LBe-LLe-R1b-R2b

RETRACED & METRICATED	(157765)	6A	1-6-78	R.E.D.
REF. TO I.V.F. CCT. ADDED IN FIG 3	(54909)	6	15-11-62	D.B.H.
NOTES 5&6 ADDED. TRAF. RECORDER LEAD ADDED	(26346)	5	25-3-59	J.K.
AMENDMENT PARTICULARS		ISSUE DATE	APP	
		SIZE	S	
NZPO		DRAWN T.W.B.	CHECKED K.G.	WIRING K.G.

SLOW RELEASE SLOW OPERATE

JUNCTION RELAY SET
I/C TOLL DEMAND FROM A.M.X.
SLEEVE CONTROL SYSTEM
2000 TYPE

GS3-21-16 TR1039-17-17 50V H

GBW 13130