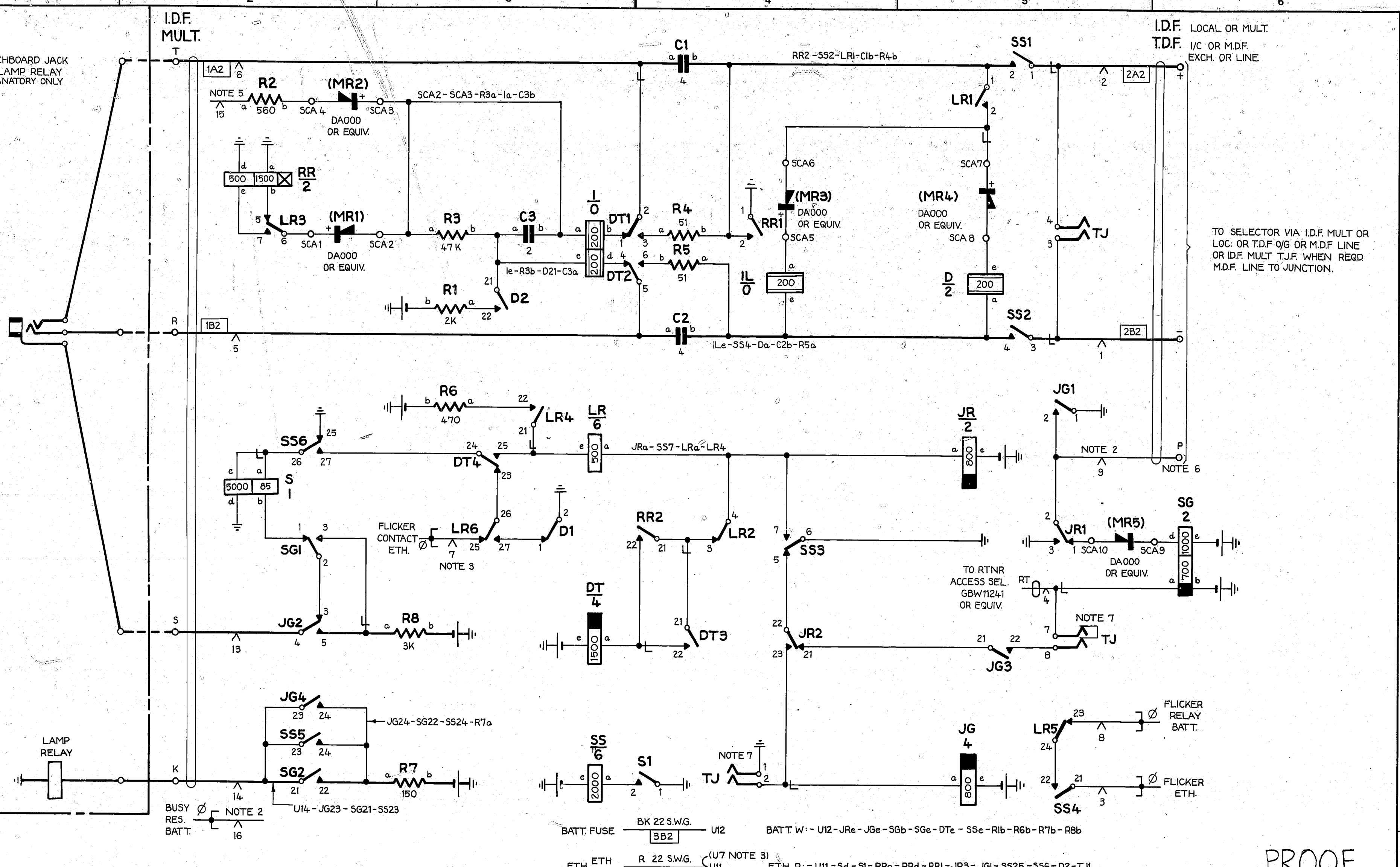


SWITCHBOARD JACK AND LAMP RELAY EXPLANATORY ONLY



NOTES :-

1. FUSE :- 1.5A PER CIRCUIT
2. SHELF JACK 'U' POINTS 9&11,14&16 TO MAKE CONTACT WHEN RELAY SET IS REMOVED.
3. WHEN FLICKER SUPERVISION IS NOT REQUIRED LEAD TO SHELF JACK POINT U7 IS DISCONNECTED & INSULATED. U7 IS THEN CONNECTED TO U11 ON SHELF JACK.
4. Ø FOR WIRING SEE GBW 10640. OR EQUIV.
5. SHELF JACK POINT U15 TO BE STRAPPED TO U11 FOR UNDER 3db UNREPEATERED TRUNKS.
6. WHEN RELAY SET IS CONNECTED TO JUNCTION 'P' LEAD TERMINATES ON T.J.F. WHEN T.J.F. IS NOT FITTED 'P' LEAD CROSS CONNECTION IS OMITTED.
7. TO BUSY THE CIRCUIT THE 'U' LINK MUST BE REMOVED FROM TJ7 & 8 & INSERTED IN TJ1 & 2.

BATT. FUSE BK 22 S.W.G. 3B2 U12
 BATT. W: U12 - JRe - JGe - SGe - SGe - DTe - SSe - Rib - R6b - R7b - R8b
 ETH ETH BAR R 22 S.W.G. (U7 NOTE 3) U11 (U15 NOTE 5)
 ETH R: U11 - Sd - S1 - RRa - RRd - RRI - JR3 - JG1 - SS25 - SS6 - D2 - TJ1

PROOF

**OUTGOING RELAY SET TO
 AUTO EXCH. LOOP DIALLING
 SLEEVE CONTROL SYSTEM
 2000 TYPE**

A	23.5.89	HKW	27201	REDRAWN FROM ISSUE 1.		
1	11.3.65	PRH JB	BYL	4.74.09		
ISS	DATE	DEL	CKD	APD	ORDER	CHANGE
DRN	SS	CKD	JB	ORIGIN	SS	
TCD	PRH	APPD	BYL	STANDARD	ATW 22001	
N Z P O ENGINEER - IN - CHIEF, WELLINGTON.						
SHT 1 OF 1		GBW 13071				
SIZE A2						

