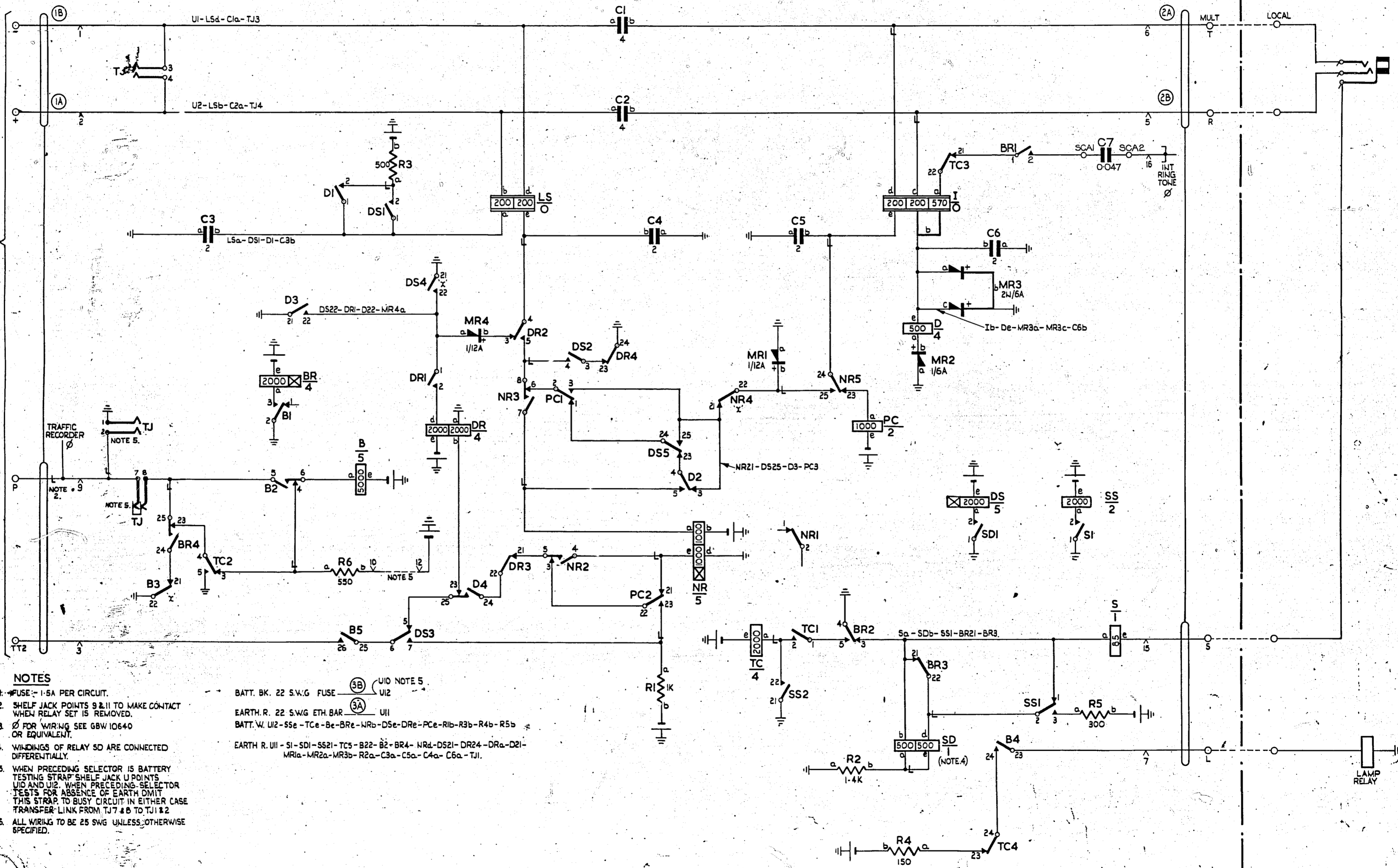


TOLL OR AUTO
I.D.F.
MULT OR LOCAL

MANUAL I.D.F.
MANUAL BOARD
EXPLANATORY ONLY



- NOTES**
1. FUSE - 1.5A PER CIRCUIT.
 2. SHELF JACK POINTS 9 & 11 TO MAKE CONTACT WHEN RELAY SET IS REMOVED.
 3. FOR WIRING SEE GBW 10640 OR EQUIVALENT.
 4. WINDINGS OF RELAY SD ARE CONNECTED DIFFERENTIALLY.
 5. WHEN PRECEDING SELECTOR IS BATTERY TESTING STRAP SHELF JACK UP POINTS UID AND UI2. WHEN PRECEDING SELECTOR TESTS FOR ABSENCE OF EARTH OMIT THIS STRAP TO BUSY CIRCUIT IN EITHER CASE TRANSFER LINK FROM TJ7 & B TO TJ1 & 2.
 6. ALL WIRING TO BE 25 SWG UNLESS OTHERWISE SPECIFIED.
- BATT. BK. 22 S.W.G FUSE $\text{\textcircled{3B}}$ UID NOTE 5
 EARTH. R. 22 S.W.G ETH. BAR $\text{\textcircled{3A}}$ UI1
 BATT. W. UI2-55e-TCe-Be-BRe-NRb-D5e-DRc-PCe-R1b-R3b-R4b-R5b
 EARTH R. UI1-S1-SD1-SS21-TC5-B22-B2-BR4-NRd-DS21-DR24-DRa-D21-
 MRIa-MR2a-MR3b-R2a-C3a-C5a-C4a-C6a-TJ1.

FROM V.F. SELR
GBW 11630
OR
GBW 14580
OR
GBW 11620

REV.	DATE	BY	DESCRIPTION
1	12/15/51	W.M.	ISSUE OF DRAWING WAS INCORRECT (20531)
2	1/11/59	R.W.	ISSUE OF DRAWING WAS INCORRECT (20531)
3	2/9/68	R.G.	ISSUE OF DRAWING WAS INCORRECT (20531)
4	2/9/68	R.G.	ISSUE OF DRAWING WAS INCORRECT (20531)
5	2/9/68	R.G.	ISSUE OF DRAWING WAS INCORRECT (20531)
6	2/9/68	R.G.	ISSUE OF DRAWING WAS INCORRECT (20531)
7	2/9/68	R.G.	ISSUE OF DRAWING WAS INCORRECT (20531)
8	2/9/68	R.G.	ISSUE OF DRAWING WAS INCORRECT (20531)
9	2/9/68	R.G.	ISSUE OF DRAWING WAS INCORRECT (20531)
10	2/9/68	R.G.	ISSUE OF DRAWING WAS INCORRECT (20531)
11	2/9/68	R.G.	ISSUE OF DRAWING WAS INCORRECT (20531)
12	2/9/68	R.G.	ISSUE OF DRAWING WAS INCORRECT (20531)
13	2/9/68	R.G.	ISSUE OF DRAWING WAS INCORRECT (20531)
14	2/9/68	R.G.	ISSUE OF DRAWING WAS INCORRECT (20531)
15	2/9/68	R.G.	ISSUE OF DRAWING WAS INCORRECT (20531)
16	2/9/68	R.G.	ISSUE OF DRAWING WAS INCORRECT (20531)
17	2/9/68	R.G.	ISSUE OF DRAWING WAS INCORRECT (20531)
18	2/9/68	R.G.	ISSUE OF DRAWING WAS INCORRECT (20531)
19	2/9/68	R.G.	ISSUE OF DRAWING WAS INCORRECT (20531)
20	2/9/68	R.G.	ISSUE OF DRAWING WAS INCORRECT (20531)
21	2/9/68	R.G.	ISSUE OF DRAWING WAS INCORRECT (20531)
22	2/9/68	R.G.	ISSUE OF DRAWING WAS INCORRECT (20531)
23	2/9/68	R.G.	ISSUE OF DRAWING WAS INCORRECT (20531)
24	2/9/68	R.G.	ISSUE OF DRAWING WAS INCORRECT (20531)
25	2/9/68	R.G.	ISSUE OF DRAWING WAS INCORRECT (20531)
26	2/9/68	R.G.	ISSUE OF DRAWING WAS INCORRECT (20531)
27	2/9/68	R.G.	ISSUE OF DRAWING WAS INCORRECT (20531)
28	2/9/68	R.G.	ISSUE OF DRAWING WAS INCORRECT (20531)
29	2/9/68	R.G.	ISSUE OF DRAWING WAS INCORRECT (20531)
30	2/9/68	R.G.	ISSUE OF DRAWING WAS INCORRECT (20531)
31	2/9/68	R.G.	ISSUE OF DRAWING WAS INCORRECT (20531)
32	2/9/68	R.G.	ISSUE OF DRAWING WAS INCORRECT (20531)
33	2/9/68	R.G.	ISSUE OF DRAWING WAS INCORRECT (20531)
34	2/9/68	R.G.	ISSUE OF DRAWING WAS INCORRECT (20531)
35	2/9/68	R.G.	ISSUE OF DRAWING WAS INCORRECT (20531)
36	2/9/68	R.G.	ISSUE OF DRAWING WAS INCORRECT (20531)
37	2/9/68	R.G.	ISSUE OF DRAWING WAS INCORRECT (20531)
38	2/9/68	R.G.	ISSUE OF DRAWING WAS INCORRECT (20531)
39	2/9/68	R.G.	ISSUE OF DRAWING WAS INCORRECT (20531)
40	2/9/68	R.G.	ISSUE OF DRAWING WAS INCORRECT (20531)
41	2/9/68	R.G.	ISSUE OF DRAWING WAS INCORRECT (20531)
42	2/9/68	R.G.	ISSUE OF DRAWING WAS INCORRECT (20531)
43	2/9/68	R.G.	ISSUE OF DRAWING WAS INCORRECT (20531)
44	2/9/68	R.G.	ISSUE OF DRAWING WAS INCORRECT (20531)
45	2/9/68	R.G.	ISSUE OF DRAWING WAS INCORRECT (20531)
46	2/9/68	R.G.	ISSUE OF DRAWING WAS INCORRECT (20531)
47	2/9/68	R.G.	ISSUE OF DRAWING WAS INCORRECT (20531)
48	2/9/68	R.G.	ISSUE OF DRAWING WAS INCORRECT (20531)
49	2/9/68	R.G.	ISSUE OF DRAWING WAS INCORRECT (20531)
50	2/9/68	R.G.	ISSUE OF DRAWING WAS INCORRECT (20531)

0 LEVEL RELAY SET
ACCESSIBLE FROM IVR OR 24V LINE
CTS VIA TANDEM GROUP SELECTOR
(SLEEVE CONTROL MANUAL BOARD)
2000 TYPE

SIZE M SOV 1 S

REF. :- GBW 12850 MOD. B

GBW.12850 MOD.B.