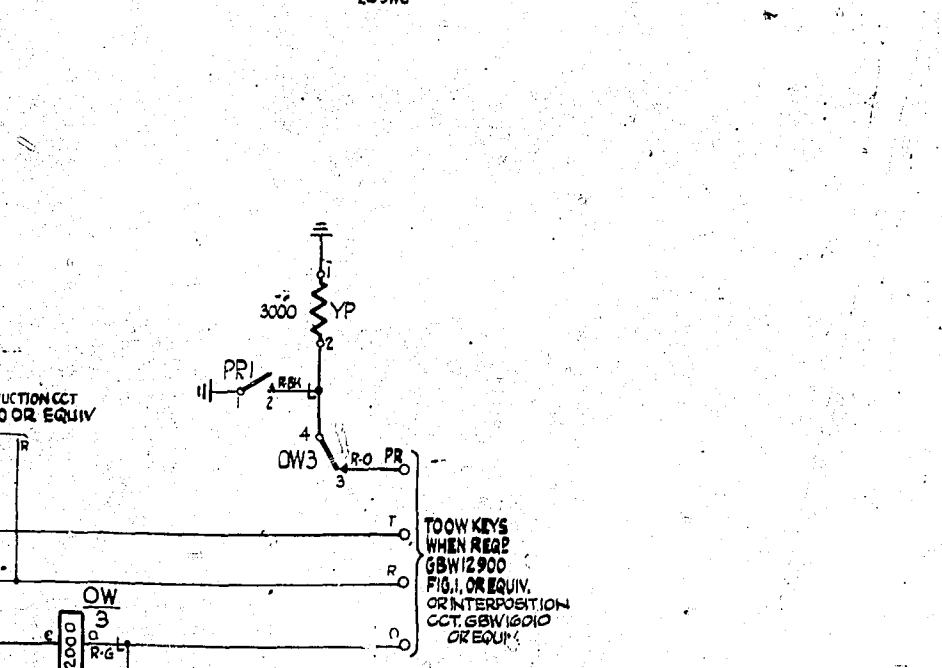
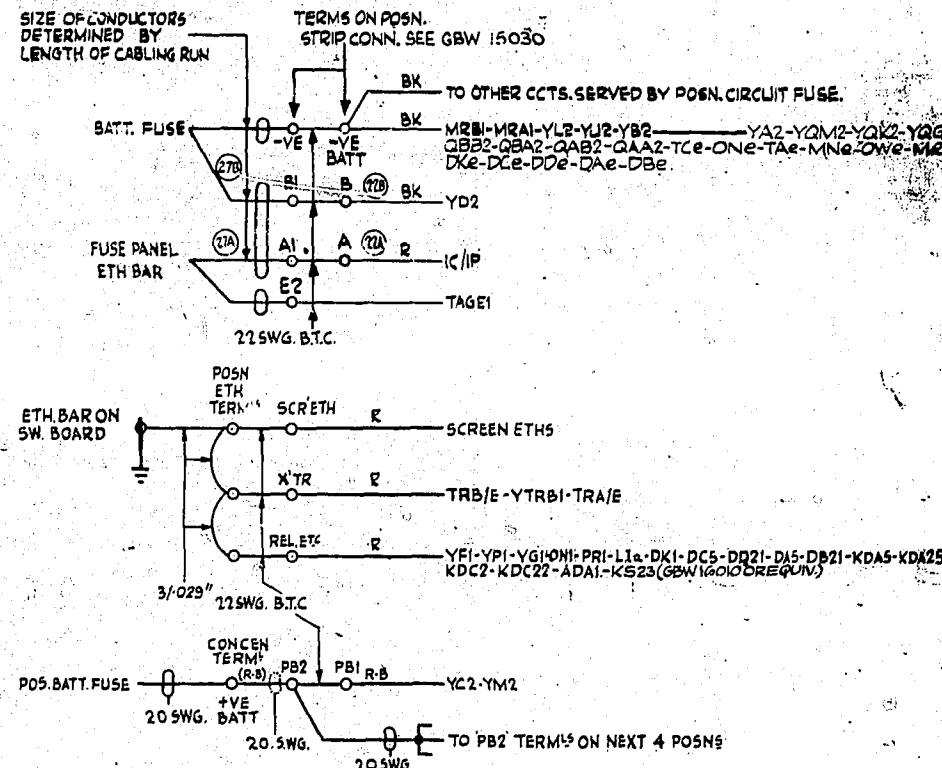
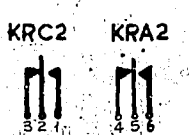


- NOTES:
1. FUSE - 1.5A PER CIRCUIT, POSITIVE BATTERY 0.5A PER 5 CIRCUITS.
 2. FIG. 3, MADE PART OF FIG. 1.
 3. ALL WIRING TO BE 25 S.W.G. UNLESS OTHERWISE SPECIFIED.

FIG 1 POSITION CIRCUIT
NOTE. 2.



RING FLASH CALL (KRC)	RING FLASH ANSWER (KRA)
2	2
DIAL CALL (KDC)	DIAL ANSWER (KDA)
2	2
SPEAK CALL (KSC)	SPEAK ANSWER (KSA)
2	2
COUPLE RIGHT (KC)	CALL SUPER (GBW12830)
6	2



14	22-11-63	D.B.H.
13		
12		
11		
10		
9		
8		
7		
6		
5		
4		
3		
2		
1		

POSITION CIRCUIT WITH RINGING KEYS AND ARRANGED FOR PAD SWITCHING CONDITIONS SLEEVE CONTROL SYSTEM

AMENDMENT PARTICULARS

ISSUE DATE APPD REF: 653-13-6

GBW 12810