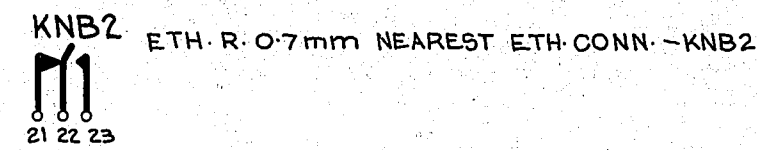
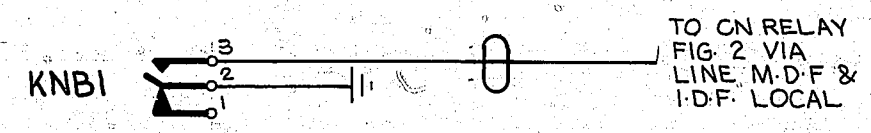
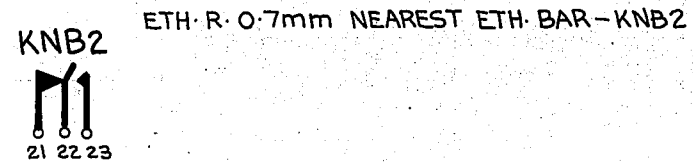
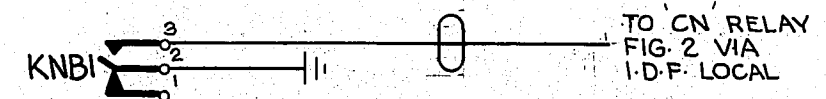


**FIG. 3**  
SWITCHING KEY  
LOCATED EXTERNAL TO  
EXCHANGE



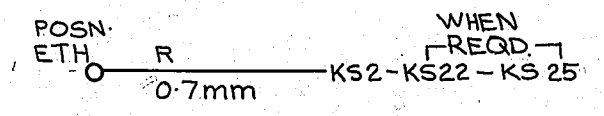
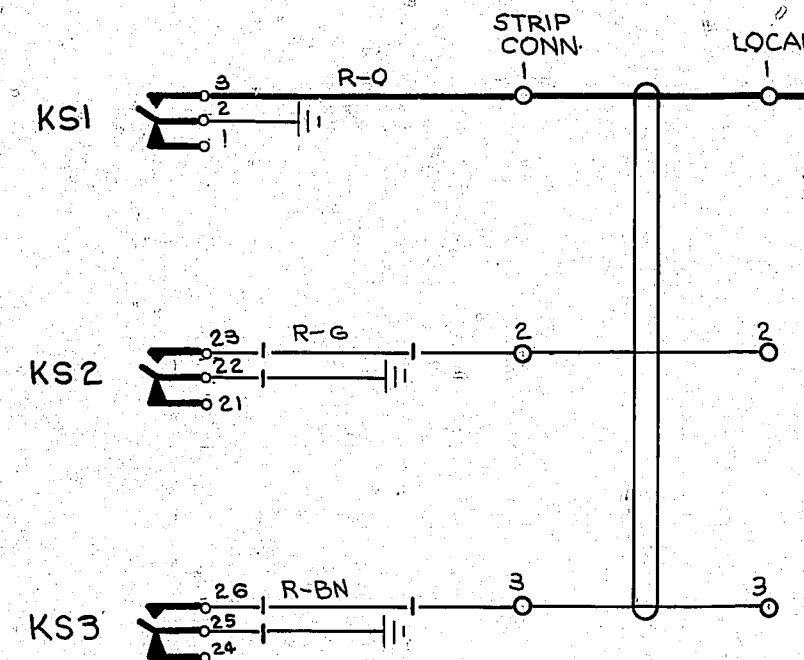
NIGHT BUSYING (KNB)  
2

**FIG. 4**  
SWITCHING KEY  
LOCATED TO SUIT LOCAL CONDITIONS

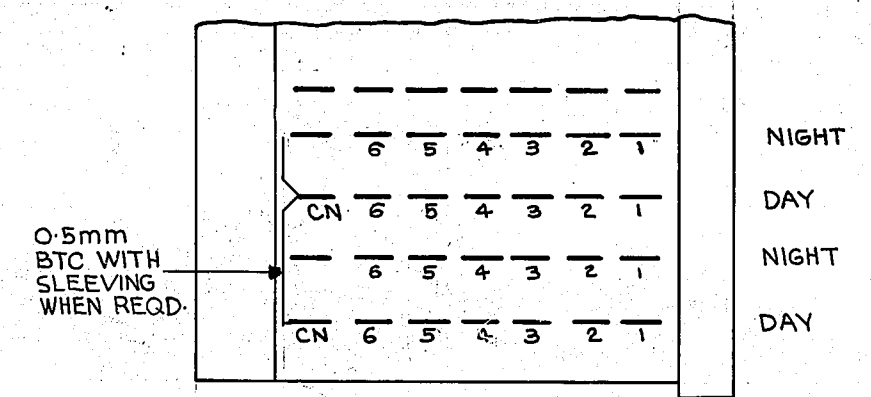


NIGHT BUSYING (KNB)  
2

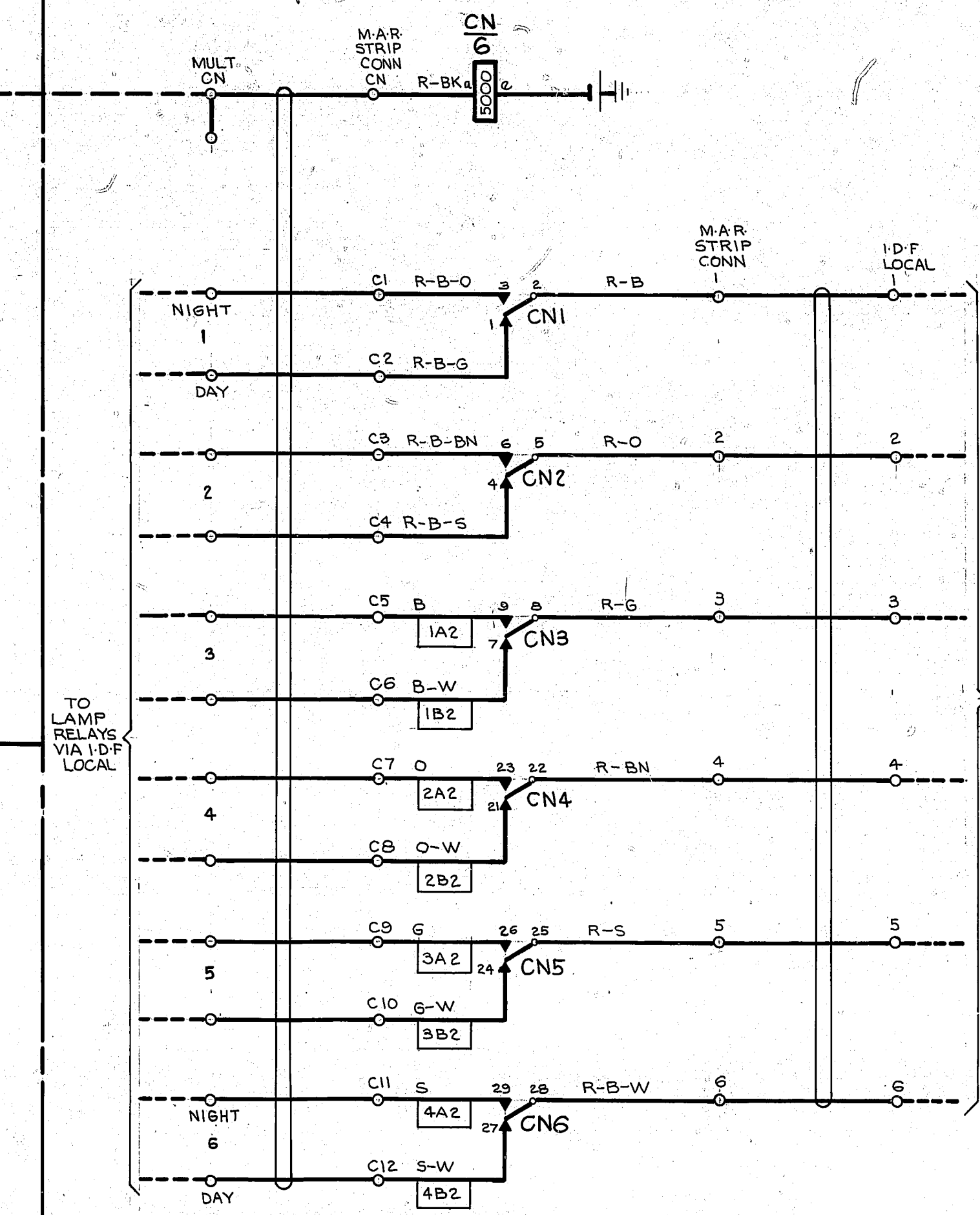
**FIG. 1** C.T.S.  
SWITCHING KEY



NOTE 2  
CONCENTRATION & BUSYING (KS)  
2 OR 3



**FIG. 2** M.A.R.  
SWITCHING EQUIPMENT  
FOR LAMP RELAYS



BATT. BK. FUSE 0.7 mm CNe (CCT.1) - CNe (CCT.2) ETC

PROOF

- NOTES:-
1. FUSE - FIG. 2 1.5A PER 50 RELAYS
  2. EACH SPRING SET OF 'KS' TO SERVE 50 RELAYS (MAX)
  3. ALL WIRING TO BE 0.5mm UNLESS OTHERWISE SPECIFIED.

A	B-4-80	M.K.	17055				
3	31.8.64		85773	J-FC			RETRACED FROM ISS. 3 31.8.64
2		A-M					CIRCUIT REDRAWN FIGS. 1, 2 & MOD
							FIG. 1 REDRAWN FIG. 4 NOT SHOWN

50V	H		
ISS	DATE	DEL	DC ORDER CKD APPD
DRN:	T-EQPT	CKD	ORIGIN: T-EQPT
TCD:	M-K	APPD	STANDARD: ATW 22001
NZPO ENGINEER-IN-CHIEF, WELLINGTON			
	SHT	OF	
	SIZE	A2	GBW 12710

CONCENTRATION  
AND  
BUSYING CIRCUIT

