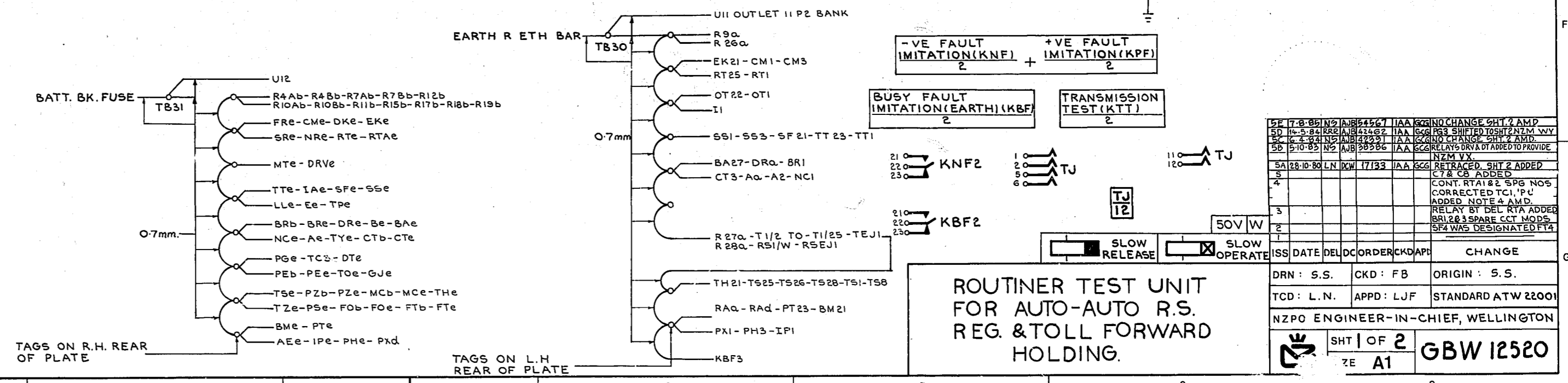


NOTES.

1. RELAY IA TO HAVE RELEASE LAG OF 30MS APPROX.
2. RELAY TEST RESISTORS R22 & R23 ARE CORRECT FOR 49.5 VOLTS AT THE EQUIPMENT UNDER TEST
3. RELAY 'PE' TO HAVE RELEASE LAG OF 75MS APPROX.
4. ALL WIRING TO BE 0.5mm UNLESS OTHERWISE SPECIFIED. WIRE COLOURS SHOWN IN BRACKETS THUS (R-B-O) APPLY ONLY WHEN INCLUDED IN LOCAL CABLE FORM. STRAPS ON ADJACENT UNISELECTOR BANK CONTACTS TO BE 0.5mm. B.T.C. AND SLEEVED WHEN NOT INCLUDED IN CABLE FORM.
5. Ø FOR WIRING SEE GBW 11560 OR EQUIV.

N.Z. NOTES

- A. OT-23 LEAD MOVED FROM RS5/9 TO RS5/10 TO EXTEND TIMING PERIOD OF ROUTINER TO ENSURE LESS CRITICAL TEST OF B RELAY TIMING.



ROUTINER TEST UNIT FOR AUTO-AUTO R.S. REG. & TOLL FORWARD HOLDING.

U11 OUTLET 11P2 BANK

EARTH R ETH BAR

U12

BATT. BK. FUSE

U10

U9

U8

U7

U6

U5

U4

U3

U2

U1

U0

U-1

U-2

U-3

U-4

U-5

U-6

U-7

U-8

U-9

U-10

U-11

U-12

U-13

U-14

U-15

U-16

U-17

U-18

U-19

U-20

U-21

U-22

U-23

U-24

U-25

U-26

U-27

U-28

U-29

U-30

U-31

U-32

U-33

U-34

U-35

U-36

U-37

U-38

U-39

U-40

U-41

U-42

U-43

U-44

U-45

U-46

U-47

U-48

U-49

U-50

U-51

U-52

U-53

U-54

U-55

U-56

U-57

U-58

U-59

U-60

U-61

U-62

U-63

U-64

U-65

U-66

U-67

U-68

U-69

U-70

U-71

U-72

U-73

U-74

U-75

U-76

U-77

U-78

U-79

U-80

U-81

U-82

U-83

U-84

U-85

U-86

U-87

U-88

U-89

U-90

U-91

U-92

U-93

U-94

U-95

U-96

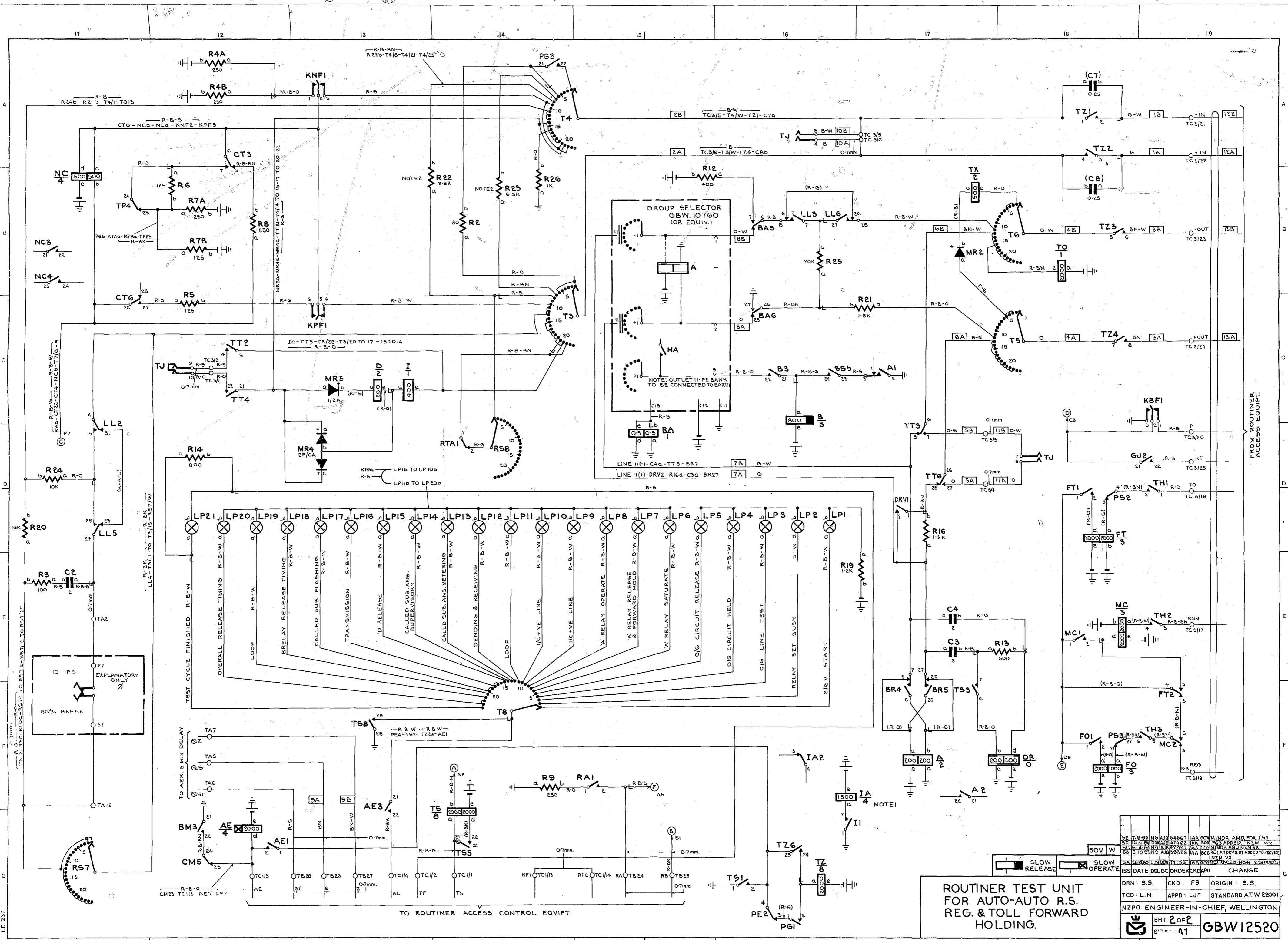
U-97

U-98

U-99

U-100

51	17-8-85	N21A-BB4567	IAA	600	NO CHANGE	SHY 2 AMP
52	10-5-84	REBA1843462	IAA	600	SHY 1000	1000
53	10-5-84	REBA1843462	IAA	600	SHY 1000	1000
54	10-5-84	REBA1843462	IAA	600	SHY 1000	1000
55	10-5-84	REBA1843462	IAA	600	SHY 1000	1000
56	10-5-84	REBA1843462	IAA	600	SHY 1000	1000
57	10-5-84	REBA1843462	IAA	600	SHY 1000	1000
58	10-5-84	REBA1843462	IAA	600	SHY 1000	1000
59	10-5-84	REBA1843462	IAA	600	SHY 1000	1000
60	10-5-84	REBA1843462	IAA	600	SHY 1000	1000
61	10-5-84	REBA1843462	IAA	600	SHY 1000	1000
62	10-5-84	REBA1843462	IAA	600	SHY 1000	1000
63	10-5-84	REBA1843462	IAA	600	SHY 1000	1000
64	10-5-84	REBA1843462	IAA	600	SHY 1000	1000
65	10-5-84	REBA1843462	IAA	600	SHY 1000	1000
66	10-5-84	REBA1843462	IAA	600	SHY 1000	1000
67	10-5-84	REBA1843462	IAA	600	SHY 1000	1000
68	10-5-84	REBA1843462	IAA	600	SHY 1000	1000
69	10-5-84	REBA1843462	IAA	600	SHY 1000	1000
70	10-5-84	REBA1843462	IAA	600	SHY 1000	1000
71	10-5-84	REBA1843462	IAA	600	SHY 1000	1000
72	10-5-84	REBA1843462	IAA	600	SHY 1000	1000
73	10-5-84	REBA1843462	IAA	600	SHY 1000	1000
74	10-5-84	REBA1843462	IAA	600	SHY 1000	1000
75	10-5-84	REBA1843462	IAA	600	SHY 1000	1000
76	10-5-84	REBA1843462	IAA	600	SHY 1000	1000
77	10-5-84	REBA1843462	IAA	600	SHY 1000	1000
78	10-5-84	REBA1843462	IAA	600	SHY 1000	1000
79	10-5-84	REBA1843462	IAA	600	SHY 1000	1000
80	10-5-84	REBA1843462	IAA	600	SHY 1000	1000
81	10-5-84	REBA1843462	IAA	600	SHY 1000	1000
82	10-5-84	REBA1843462	IAA	600	SHY 1000	1000
83	10-5-84	REBA1843462	IAA	600	SHY 1000	1000
84	10-5-84	REBA1843462	IAA	600	SHY 1000	1000
85	10-5-84	REBA1843462	IAA	600	SHY 1000	1000
86	10-5-84	REBA1843462	IAA	600	SHY 1000	1000
87	10-5-84	REBA1843462	IAA	600	SHY 1000	1000
88	10-5-84	REBA1843462	IAA	600	SHY 1000	1000
89	10-5-84	REBA1843462	IAA	600	SHY 1000	1000
90	10-5-84	REBA1843462	IAA	600	SHY 1000	1000
91	10-5-84	REBA1843462	IAA	600	SHY 1000	1000
92	10-5-84	REBA1843462	IAA	600	SHY 1000	1000
93	10-5-84	REBA1843462	IAA	600	SHY 1000	1000
94	10-5-84	REBA1843462	IAA	600	SHY 1000	1000
95	10-5-84	REBA1843462	IAA	600	SHY 1000	1000
96	10-5-84	REBA1843462	IAA	600	SHY 1000	1000
97	10-5-84	REBA1843462	IAA	600	SHY 1000	1000
98	10-5-84	REBA1843462	IAA	600	SHY 1000	1000
99	10-5-84	REBA1843462	IAA	600	SHY 1000	1000
100	10-5-84	REBA1843462	IAA	600	SHY 1000	1000



**ROUTINER TEST UNIT
FOR AUTO-AUTO R.S.
REG. & TOLL FORWARD
HOLDING.**

REV	DATE	BY	CHKD	APPD	ORIGIN	REVISION
1	10/1/54	WJ	WJ	WJ	S.S.	1
2	10/1/54	WJ	WJ	WJ	S.S.	2
3	10/1/54	WJ	WJ	WJ	S.S.	3
4	10/1/54	WJ	WJ	WJ	S.S.	4
5	10/1/54	WJ	WJ	WJ	S.S.	5
6	10/1/54	WJ	WJ	WJ	S.S.	6
7	10/1/54	WJ	WJ	WJ	S.S.	7
8	10/1/54	WJ	WJ	WJ	S.S.	8
9	10/1/54	WJ	WJ	WJ	S.S.	9
10	10/1/54	WJ	WJ	WJ	S.S.	10
11	10/1/54	WJ	WJ	WJ	S.S.	11
12	10/1/54	WJ	WJ	WJ	S.S.	12
13	10/1/54	WJ	WJ	WJ	S.S.	13
14	10/1/54	WJ	WJ	WJ	S.S.	14
15	10/1/54	WJ	WJ	WJ	S.S.	15
16	10/1/54	WJ	WJ	WJ	S.S.	16
17	10/1/54	WJ	WJ	WJ	S.S.	17
18	10/1/54	WJ	WJ	WJ	S.S.	18
19	10/1/54	WJ	WJ	WJ	S.S.	19
20	10/1/54	WJ	WJ	WJ	S.S.	20
21	10/1/54	WJ	WJ	WJ	S.S.	21
22	10/1/54	WJ	WJ	WJ	S.S.	22
23	10/1/54	WJ	WJ	WJ	S.S.	23
24	10/1/54	WJ	WJ	WJ	S.S.	24
25	10/1/54	WJ	WJ	WJ	S.S.	25
26	10/1/54	WJ	WJ	WJ	S.S.	26
27	10/1/54	WJ	WJ	WJ	S.S.	27
28	10/1/54	WJ	WJ	WJ	S.S.	28
29	10/1/54	WJ	WJ	WJ	S.S.	29
30	10/1/54	WJ	WJ	WJ	S.S.	30
31	10/1/54	WJ	WJ	WJ	S.S.	31
32	10/1/54	WJ	WJ	WJ	S.S.	32
33	10/1/54	WJ	WJ	WJ	S.S.	33
34	10/1/54	WJ	WJ	WJ	S.S.	34
35	10/1/54	WJ	WJ	WJ	S.S.	35
36	10/1/54	WJ	WJ	WJ	S.S.	36
37	10/1/54	WJ	WJ	WJ	S.S.	37
38	10/1/54	WJ	WJ	WJ	S.S.	38
39	10/1/54	WJ	WJ	WJ	S.S.	39
40	10/1/54	WJ	WJ	WJ	S.S.	40
41	10/1/54	WJ	WJ	WJ	S.S.	41
42	10/1/54	WJ	WJ	WJ	S.S.	42
43	10/1/54	WJ	WJ	WJ	S.S.	43
44	10/1/54	WJ	WJ	WJ	S.S.	44
45	10/1/54	WJ	WJ	WJ	S.S.	45
46	10/1/54	WJ	WJ	WJ	S.S.	46
47	10/1/54	WJ	WJ	WJ	S.S.	47
48	10/1/54	WJ	WJ	WJ	S.S.	48
49	10/1/54	WJ	WJ	WJ	S.S.	49
50	10/1/54	WJ	WJ	WJ	S.S.	50
51	10/1/54	WJ	WJ	WJ	S.S.	51
52	10/1/54	WJ	WJ	WJ	S.S.	52
53	10/1/54	WJ	WJ	WJ	S.S.	53
54	10/1/54	WJ	WJ	WJ	S.S.	54
55	10/1/54	WJ	WJ	WJ	S.S.	55
56	10/1/54	WJ	WJ	WJ	S.S.	56
57	10/1/54	WJ	WJ	WJ	S.S.	57
58	10/1/54	WJ	WJ	WJ	S.S.	58
59	10/1/54	WJ	WJ	WJ	S.S.	59
60	10/1/54	WJ	WJ	WJ	S.S.	60

5 Centimetres