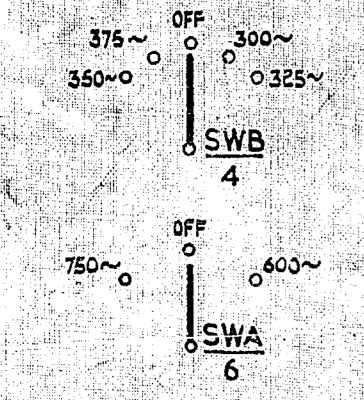
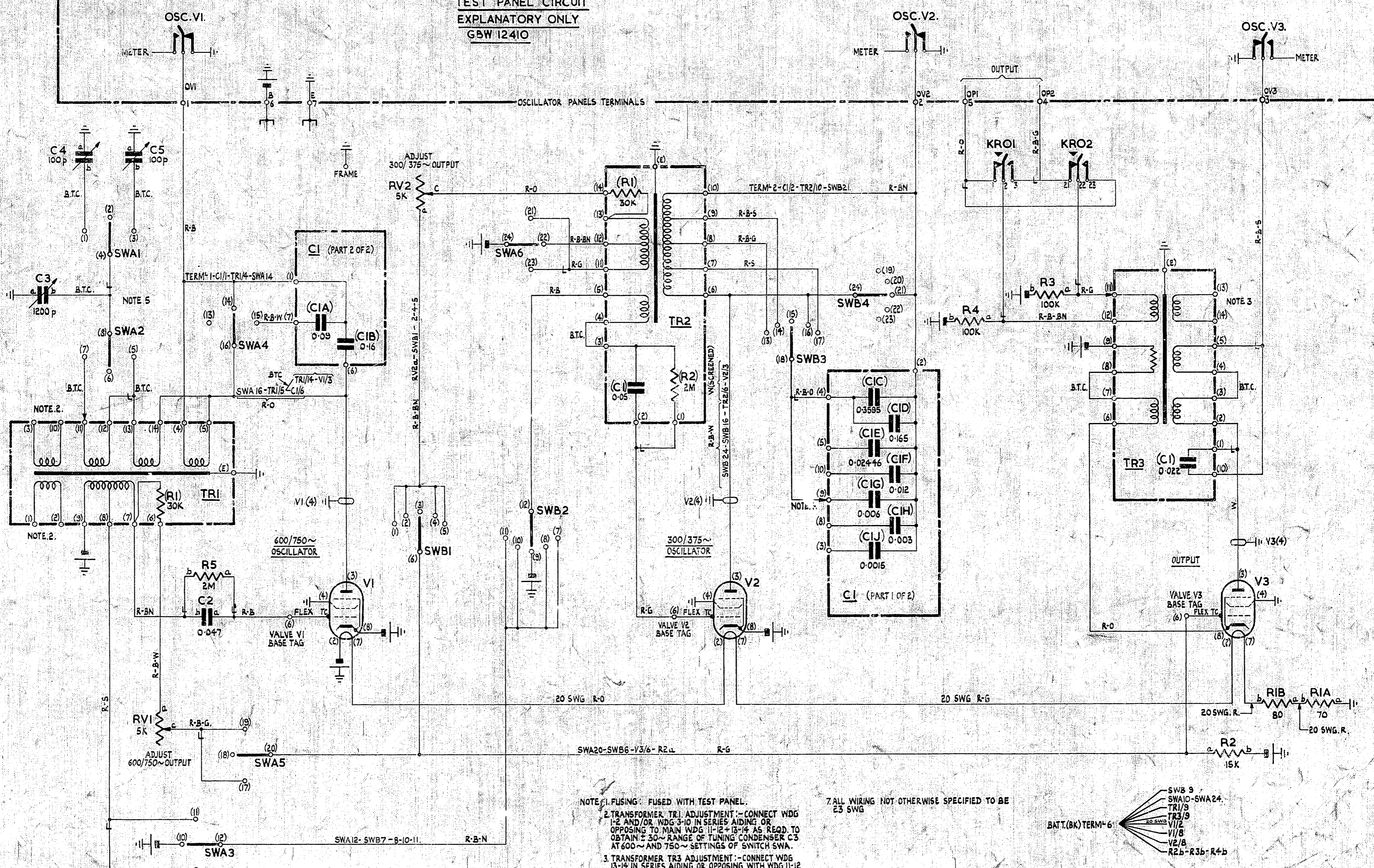


TEST PANEL CIRCUIT
EXPLANATORY ONLY
GBW 12410

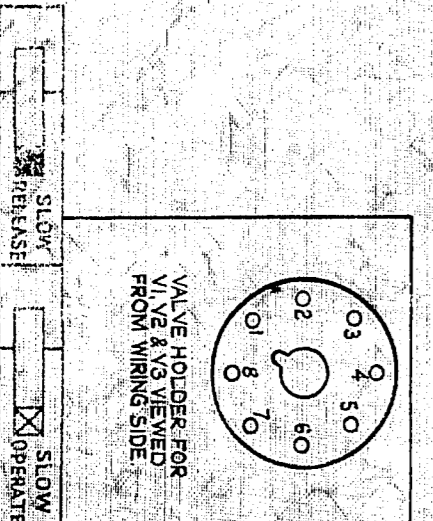
SWITCH POSITIONS



REVERSE OUTPUT (KRO)



NZPO	DRAWN CHECKED	W.H.R.	E.T.O.	CIRCUIT	AMENDMENT PARTICULARS
					ISSUE DATE
GBW 12440	FOR 2 V.F. TEST RACK	VALVE HOLDER FOR V1, V2 & V3 VIEWED FROM WIRING SIDE			OPERATE
		SIZE M	50V	5	



- NOTE 1. FUSING: FUSED WITH TEST PANEL.
2. TRANSFORMER TR1 ADJUSTMENT: - CONNECT WDG 11-2 AND/OR WDG 3-10 IN SERIES AIDING OR OPPOSING TO MAIN WDG 11-12 + 13-14 AS REQD. TO OBTAIN 30% RANGE OF TUNING CONDENSER C3 AT 600~ AND 750~ SETTINGS OF SWITCH SWA.
3. TRANSFORMER TR3 ADJUSTMENT: - CONNECT WDG 13-14 IN SERIES AIDING OR OPPOSING WITH WDG 11-12 IF NECESSARY TO ADJUST OVERALL OUTPUT OF OSCILLATOR.
4. CONDENSER C1 ADJUSTMENT: - STRAP TAG 4 TO ONE OR MORE OF TAGS 5, 10, 9, 8 & 3 AS REQD. TO OBTAIN BEST COMPROMISE OF FREQUENCY ADJUSTMENT ON 300~ 325~ 350~ & 375~ SETTINGS OF SWITCH SWB.
5. ALL LEADS INDICATED BY B.T.C TO BE 20 SWG COVERED WITH SLEEVING OF APPROVED TYPE AND ARE TO BE RUN DIRECT AND NOT LACED IN MAIN FORM.
6. IT IS ESSENTIAL THAT SCREENED LEADS ARE EARTHED AT THE POINTS INDICATED AND RUN DIRECT AND NOT LACED IN MAIN FORM.

7. ALL WIRING NOT OTHERWISE SPECIFIED TO BE 23 SWG

