

T.D.F. OUTGOING
OR
I.D.F. MULT.

FROM
SELECTOR
LEVELS
OR
DIGIT
ABSORPTION
RELAY SET

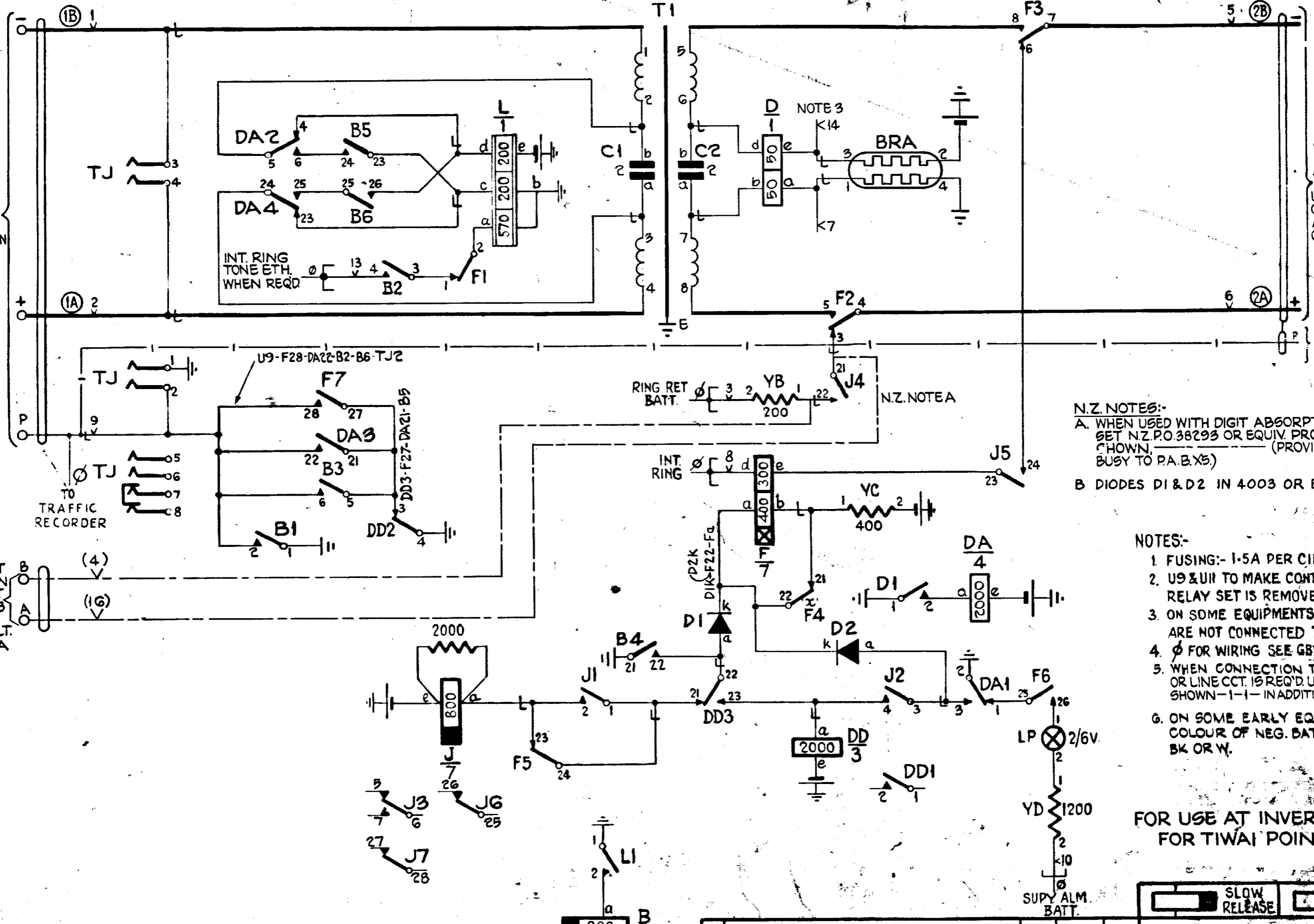
TO
SPECIAL
SERVICE LINE
VIA M.D.F.
ALSO VIA T.J.F.
WHEN REQ'D. OR
LINE C.C.T. DIRECT
OR VIA F/S RACK.
AUX. CONN. STRIP
OR AS SPECIFIED
(NOTE 5)

FROM DIGIT
ABSORPTION
RELAY SET
NZ P.O. 38293
OR EQUIV.
VIA I.D.F. MULT.
N.Z. NOTE A

N.Z. NOTES:-
A. WHEN USED WITH DIGIT ABSORPTION RELAY SET NZ P.O. 38293 OR EQUIV. PROVIDE CONNS. SHOWN. (PROVIDES IMMEDIATE BUSY TO P.A.B.X'S)
B. DIODES D1 & D2 IN 4003 OR EQUIV.

NOTES:-
1. FUSING:- 1-5A PER CIRCUIT.
2. U9 & U11 TO MAKE CONTACT WHEN RELAY SET IS REMOVED.
3. ON SOME EQUIPMENTS BRA3 & BRA1 ARE NOT CONNECTED TO 'U' POINTS
4. Ø FOR WIRING SEE GBW 10640 OR EQUIV.
5. WHEN CONNECTION TO LINE VIA T.J.F. OR LINE C.C.T. IS REQ'D. USE CONNECTION SHOWN -1-1- IN ADDITION TO + & -
6. ON SOME EARLY EQUIPMENT COLOUR OF NEG. BATT. WIRING WAS BK OR W.

FOR USE AT INVERCARGILL
FOR TIWAI POINT



BATT; FUSE NOTE 6 (3B) UI2
EARTH; ETH. BAR R (3A) UI1
22SWG.
BATT. V. UI2-Le-DDe-BRA2-DAe-Je-Be-VC2
EARTH. R. UI1-T1/E-Lb-LI-DD4-DA2-DI-B1-B2I-BRA4-TJ1.

		SLOW RELEASE		SLOW OPERATE	
SPECIAL SERVICES RELAY SET					
2000 TYPE					
DIODES D1 & D2 ADDED		(39994)	B	8-11-71	B5-H
		(8297)	A	4-3-71	B5-H
AMENDMENT PARTICULARS		ISSUE	DATE	APPD	SIZE S 50V
N.Z. P.O.					GBW 11870 MOD B

TJ
8