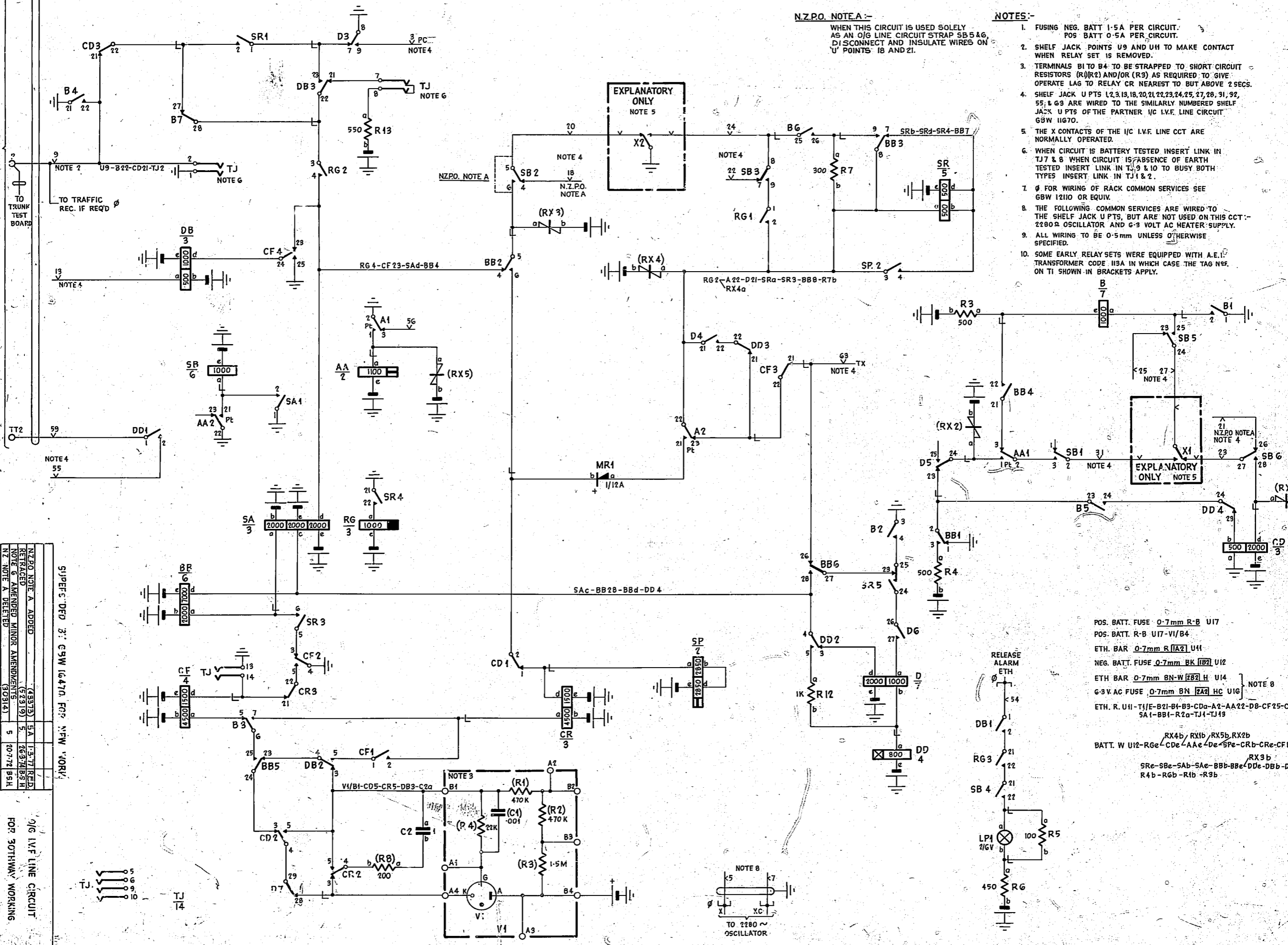


FROM 1/C SELR
GBW 11630 OR
GBW 14580 OR
MANUAL BOARD
RELAY SET
GBW 13860 OR
EQUIV.

NZPO	DRYAN	CHEGGED	WIRING	C.I.S.
GRW	11680	SIZE	A4	50 V. 5



N.Z.P.O. NOTE A:-
WHEN THIS CIRCUIT IS USED SOLELY AS AN O/G LINE CIRCUIT STRAP SB5 & 6, DISCONNECT AND INSULATE WIRES ON 'U' POINTS 18 AND 21.

- NOTES:-**
- FUSING NEG. BATT 1.5A PER CIRCUIT. POS BATT 0.5A PER CIRCUIT.
 - SHELF JACK POINTS U9 AND UH TO MAKE CONTACT WHEN RELAY SET IS REMOVED.
 - TERMINALS B1 TO B4 TO BE STRAPPED TO SHORT CIRCUIT RESISTORS (R1)(R2) AND/OR (R3) AS REQUIRED TO GIVE OPERATE LAG TO RELAY CR NEAREST TO BUT ABOVE 2 SECS.
 - SHELF JACK UPTS 1,2,3,13,18,20,21,22,23,24,25,27,28,31,32,55, & G3 ARE WIRED TO THE SIMILARLY NUMBERED SHELF JACK UPTS OF THE PARTNER 1/C I.V.F. LINE CIRCUIT GBW 11670.
 - THE X CONTACTS OF THE 1/C I.V.F. LINE CCT ARE NORMALLY OPERATED.
 - WHEN CIRCUIT IS BATTERY TESTED INSERT LINK IN TJ7 & 8 WHEN CIRCUIT IS ABSENCE OF EARTH TESTED INSERT LINK IN TJ9 & 10 TO BUSY BOTH TYPES INSERT LINK IN TJ1 & 2.
 - Ø FOR WIRING OF RACK COMMON SERVICES SEE GBW 12110 OR EQUIV.
 - THE FOLLOWING COMMON SERVICES ARE WIRED TO THE SHELF JACK UPTS, BUT ARE NOT USED ON THIS CCT:- 2280Ω OSCILLATOR AND G-3 VOLT AC HEATER SUPPLY.
 - ALL WIRING TO BE 0.5mm UNLESS OTHERWISE SPECIFIED.
 - SOME EARLY RELAY SETS WERE EQUIPPED WITH A.E.I. TRANSFORMER CODE 113A IN WHICH CASE THE TAG NOS. ON T1 SHOWN IN BRACKETS APPLY.

EXPLANATORY ONLY
NOTE 5

EXPLANATORY ONLY
NOTE 5

- POS. BATT. FUSE 0.7mm R-B U17
POS. BATT. R-B U17-VI/B4
ETH. BAR 0.7mm R-11A2 U11
NEG. BATT. FUSE 0.7mm BK 11B2 U12
ETH BAR 0.7mm BN-W 12B2 H U14
6.3V AC FUSE 0.7mm BN 12A1 HC U16
- ETH. R. U11-T1/E-B21-B1-B3-CD-A2-AA22-D8-CF25-CF4-SR21-
SA1-BB1-R2a-TJ1-TJ19
- RX4b/RX1b/RX5b/RX2b
BATT. W U12-RGe-CDe-AAe-De-SPe-CRb-CRe-CFb-CFe-
RX3b
SRc-SBc-SAb-SAc-BBb-BBc-DDe-DBb-DBc-R13b-
R4b-RGb-R1b-R3b

