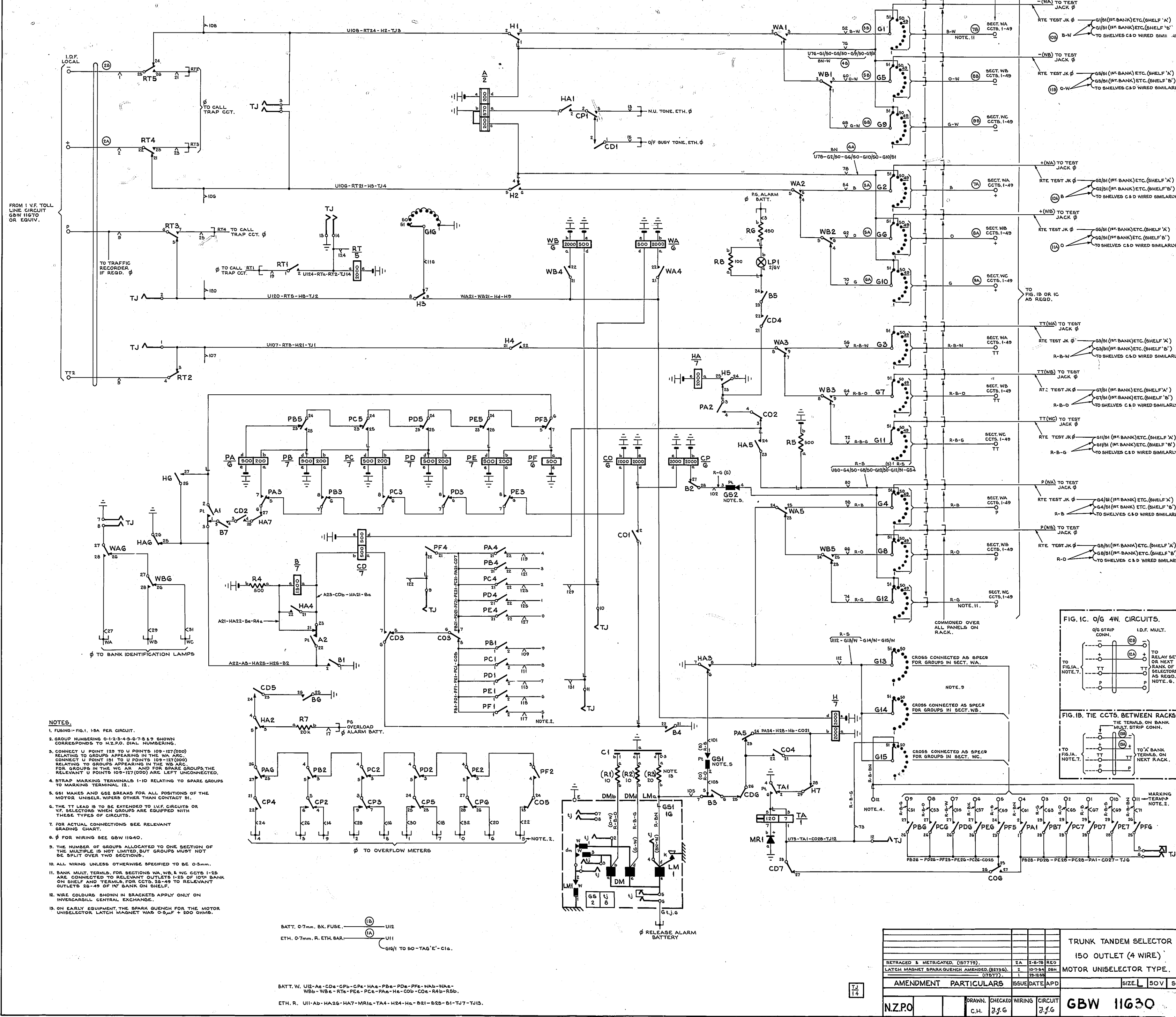


FIG. 1A



- NOTES.**
- FUSING - FIG. 1, 15A PER CIRCUIT.
  - GROUP NUMBERS 0-1-2-3-4-5-6-7-8-9 SHOWN CORRESPOND TO H.Z.P. DIAL NUMBERS.
  - CONNECT U POINT 125 TO U POINTS 109-127 (000) RELATING TO GROUPS APPEARING IN THE WA ARC. CONNECT U POINT 151 TO U POINTS 109-127 (000) RELATING TO GROUPS APPEARING IN THE WB ARC. FOR GROUPS IN THE WC ARC AND FOR SPARE GROUPS, THE RELEVANT U POINTS 109-127 (000) ARE LEFT UNCONNECTED.
  - STRAP MARKING TERMINALS 1-10 RELATING TO SPARE GROUPS TO MARKING TERMINAL 12.
  - 6S1 MAKES AND 6S2 BREAKS FOR ALL POSITIONS OF THE MOTOR UNISEL. WIPERS OTHER THAN CONTACT 51.
  - THE TT LEAD IS TO BE EXTENDED TO I.V.F. CIRCUITS OR W.F. SELECTORS WHEN GROUPS ARE EQUIPPED WITH THESE TYPES OF CIRCUITS.
  - FOR ACTUAL CONNECTIONS SEE RELEVANT GRADING CHART.
  - Ø FOR WIRING SEE GBW 11640.
  - THE NUMBER OF GROUPS ALLOCATED TO ONE SECTION OF THE MULTIPLE IS NOT LIMITED BUT GROUPS MUST NOT BE SPLIT OVER TWO SECTIONS.
  - ALL WIRING UNLESS OTHERWISE SPECIFIED TO BE 0.5mm.
  - BANK MULT. TERMS. FOR SECTIONS WA, WB, & WC CCTS. 1-25 ARE CONNECTED TO RELEVANT OUTLETS 1-25 OF 10th BANK ON SHELF AND TERMS. FOR CCTS. 26-49 TO RELEVANT OUTLETS 26-49 OF 10th BANK ON SHELF.
  - WIRE COLOURS SHOWN IN BRACKETS APPLY ONLY ON INVERGARRILL CENTRAL EXCHANGE.
  - ON EARLY EQUIPMENT THE SPARK QUENCH FOR THE MOTOR UNISELECTOR LATCH MAGNET WAS 0.5µF + 200 OHMS.

BATT. 0.7mm. BK. FUSE. (B) UI2  
 ETH. 0.7mm. R. ETH. BAR. (A) UI1  
 G16/1 TO 50-TAG 'E' - C1a.

BATT. W. UI2-Ae-CDe-CpE-CPe-HAe-PDe-PFe-WAb-WAe-  
 WbB-WBe-RTe-PEe-PAe-He-COb-COe-R4B-R5B.  
 ETH. R. UI1-Ab-HA2G-HA7-MR1a-TA4-H2A-Ha-B21-B25-S1-TJ7-TJ13.

TRUNK TANDEM SELECTOR		150 OUTLET (4 WIRE)	
RETRACED & METRICATED. (157719).		2A	2-8-70 RED
LATCH MAGNET SPARK QUENCH AMENDED. (22750).		2	10-7-64 DBL
(17877).		1	29-12-58
AMENDMENT	PARTICULARS	ISSUE DATE	APD
N.Z.P.O.	DRAWN. C.H.	CHECKED WIRING J.J.G.	CIRCUIT J.J.G.
GBW 11630			SIZE L 50V 5