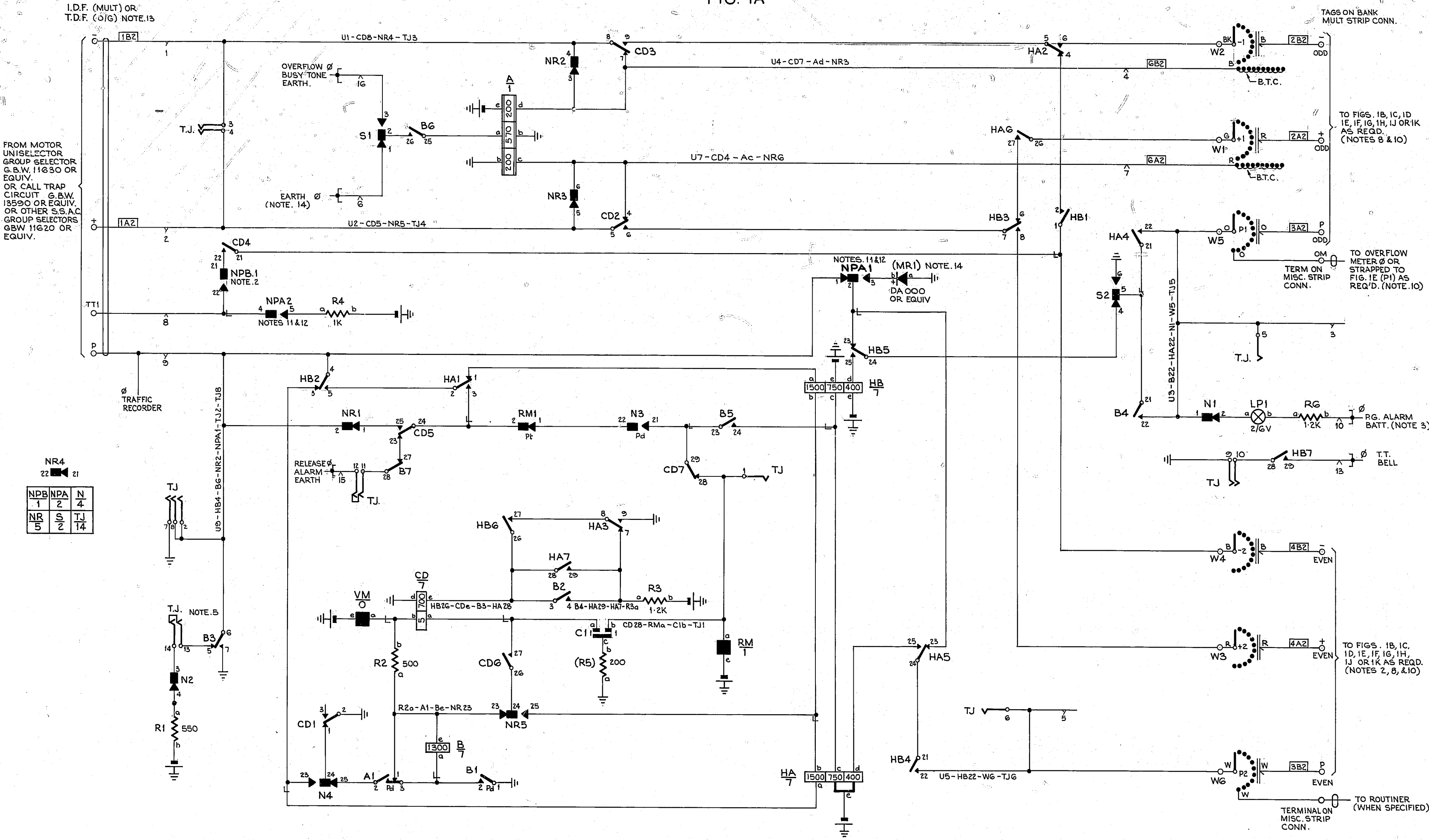


FIG. 1A



- NOTES:-**
1. FUSE 1.5A PER CIRCUIT.
 2. N.P.B. SPRINGS TO OPERATE ON S.S.A.C. TRANSIT. AND S.S.A.C. TO GENERATOR SIGNALING LEVELS. P2 OUTLETS OF LEVELS CONCERNED TO BE EARTHED. 2 OUTLETS TO BE CONNECTED TO TT2 WIRE OF A.C.S.S. RELAY SETS, OR TT1 OF SUCCEEDING S.S.A.C. SELRS. THE AVAILABILITY OF THE LEVELS CONCERNED IS REDUCED TO 10 OUTLETS.
 3. P.G. ALARM BATTERY TO BE PROVIDED ON INCOMING & FIRST SELECTORS ONLY.
 4. Ø FOR WIRING SEE GBW. 11770.
 5. WHEN BATTERY TESTING IS REQD. LINK TO BE IN TJ 13 & 14. WHEN ABSENCE OF EARTH TESTING IS REQD. LINK TO BE REMOVED FROM TJ. 13 & 14.
 6. SHELF JACK POINTS U9 & U11 TO MAKE CONTACT WHEN SWITCH IS REMOVED.
 7. ALL WIRING NOT OTHERWISE SPEC'D. TO BE 0.5mm.
 8. FOR ACTUAL CONNECTIONS. SEE RELEVANT GRADING CHARTS.
 9. BANK MULTIPLE CONNECTIONS TO THESE TERMINALS ARE AS SHOWN IN FIG. 1A.
 10. WHEN THIS DIAGRAM IS USED ON EXTNS. WHERE T.D.F. CAPACITY EXISTS. THE BANK MULT AND OVERFLOW METER CONNECTIONS SHALL BE CABLED TO T.D.F.
 11. N.P.A. SPRINGS TO OPERATE ON LEVELS GIVING ACCESS TO FINAL SELECTORS AND OTHER D.C. CONNECTIONS WITH UNDER 3db LOSS.
 12. N.P.A. SPRINGS MUST NOT BE ARRANGED TO OPERATE ON LEVEL ONE BECAUSE ROUTINER TEST LINE SWITCHING RELAYS CAN BE ASSOCIATED WITH THAT LEVEL.
 13. THE CONNECTIONS FROM CALL TRAP CIRCUITS ARE ALWAYS MADE VIA THE I.D.F.
 14. ON EARLY EQUIPMENT U6 WAS CONNECTED TO EARTH AT U11 AND RECTIFIER MR1 WAS HS 100Ø.

BATT. FUSE 5B2 BK 0.7mm U12
 ETH. ETH BAR 5A2 R 0.7mm U11
 BATT. W:- U12-HBc-R1b-R3b-Ae-HAe-VMe-RMe-R4b-
 ETH. R:- U11-CDd-CD2-Ab-B1-B7-HA9-S6-R5a-TJ-TJ9-MR1a

FIG. 1K O/G 4 WIRE CTS. (DIRECT CABLING)

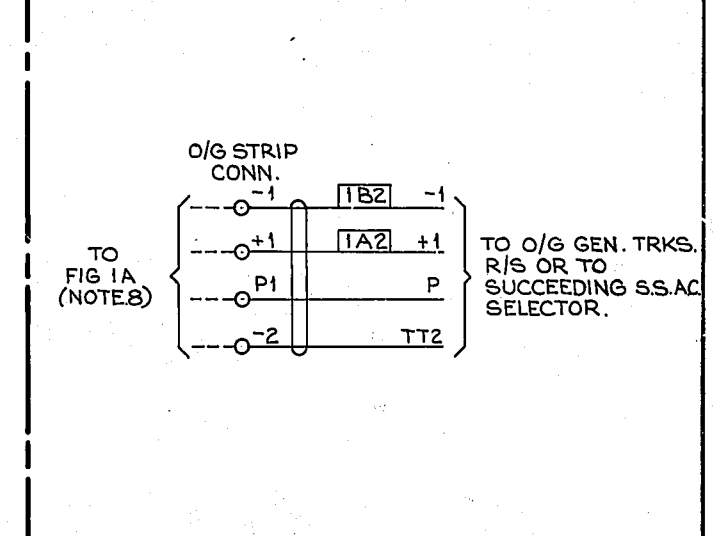
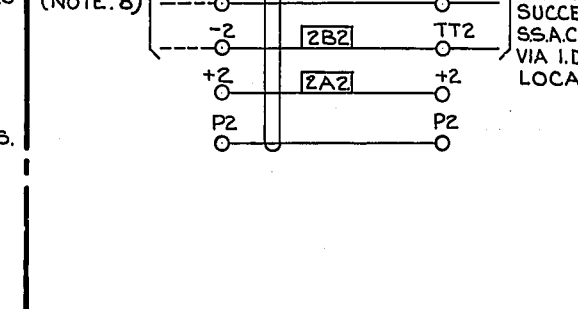
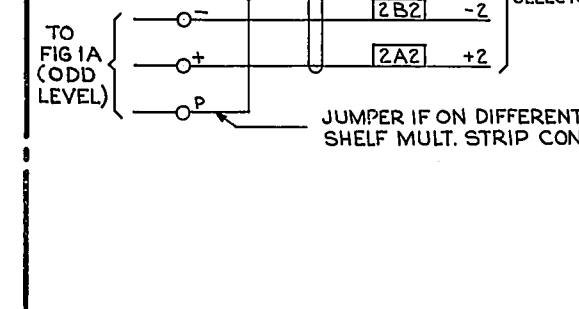
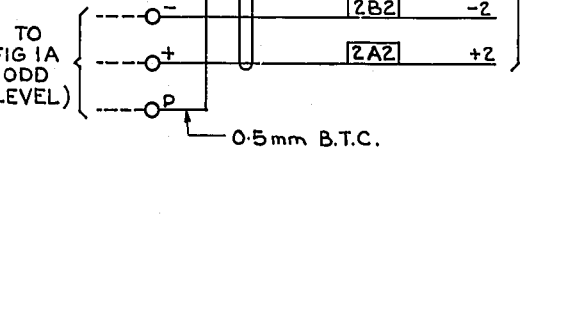
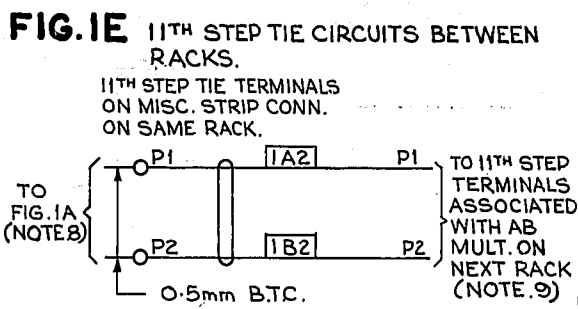
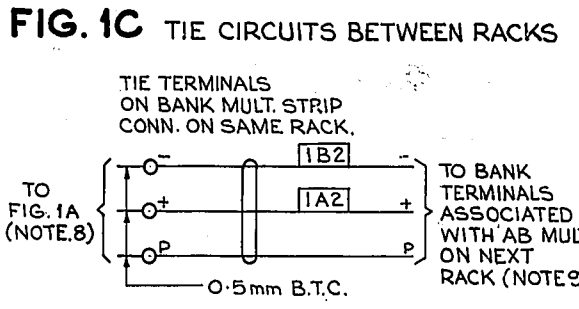
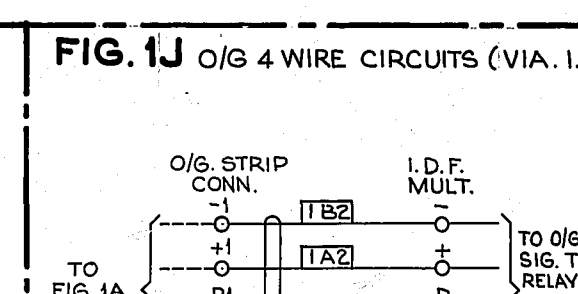
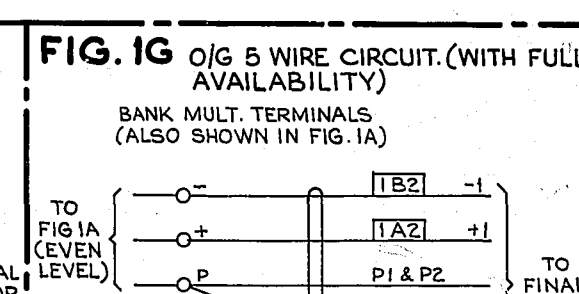
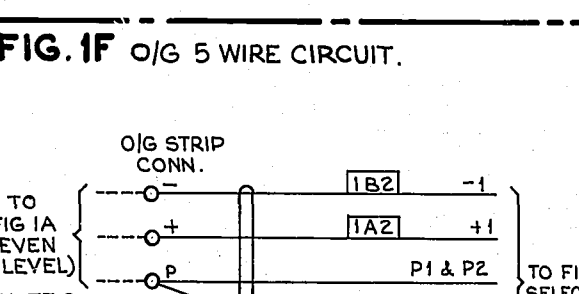
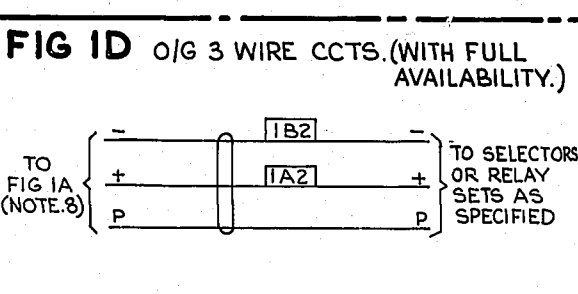
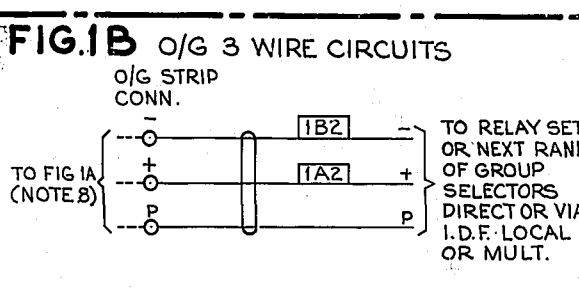
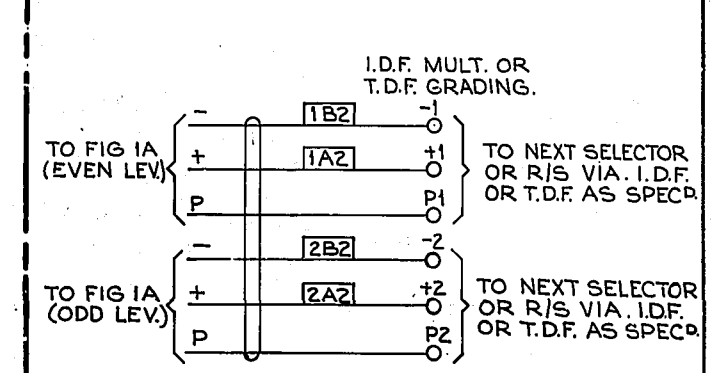


FIG. 1H CENTRALISED GRADING NOTE. 10



| | | | | |
|--------------------------------------|-------------|---------|-----------|-------------------|
| N.Z.A.C. SIGNALING SYSTEMS SELECTOR | | | | |
| 200 OUTLET (NOTE. 2) | | | | |
| ABSENCE OF EARTH OR BATTERY TESTED | | | | |
| 2000 TYPE | | | | |
| REDRAWN FROM 155 4 (10-2-67) (58290) | 176688 | 4 | 11-4 | |
| AMENDMENT | PARTICULARS | ORDER | ISS. DATE | APPD. REF. V.F. |
| N.Z.P.O. | DRAWN ASH | CHECKED | WIRING | CIRCUIT A.S.H. |
| | | | | GBW. 11621 |