

NZPO

DRAWN
CHECKED
WIRING
CIRCUIT

AMENDMENT PARTICULARS

ISSUE	1
DATE	25.4.49
Appo	

GBW 11470

SIZE F 50V E

TESTING CIRCUIT TO TEST JACK FRAME.

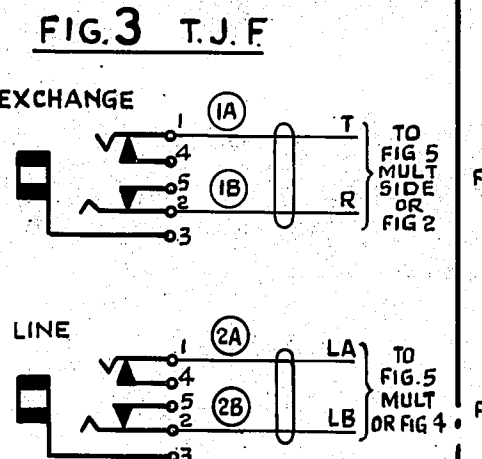
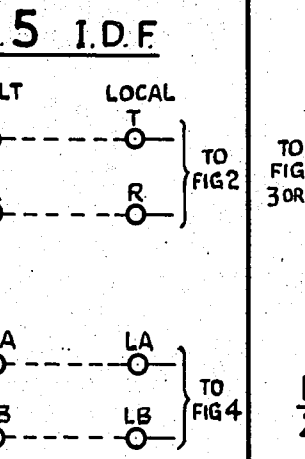
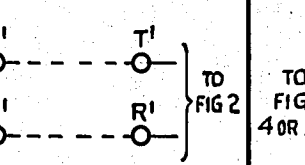
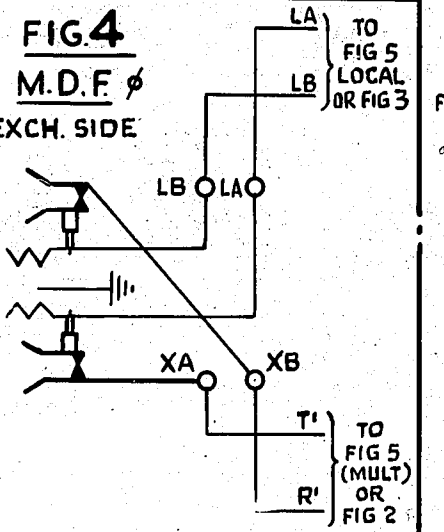
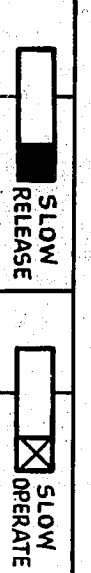


FIG. 1 TEST JACK FRAME

TWO SETS OF JACKS ON TEST JACK FRAME

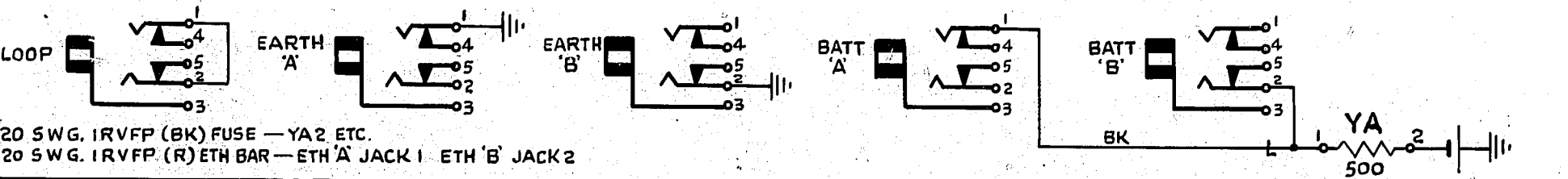
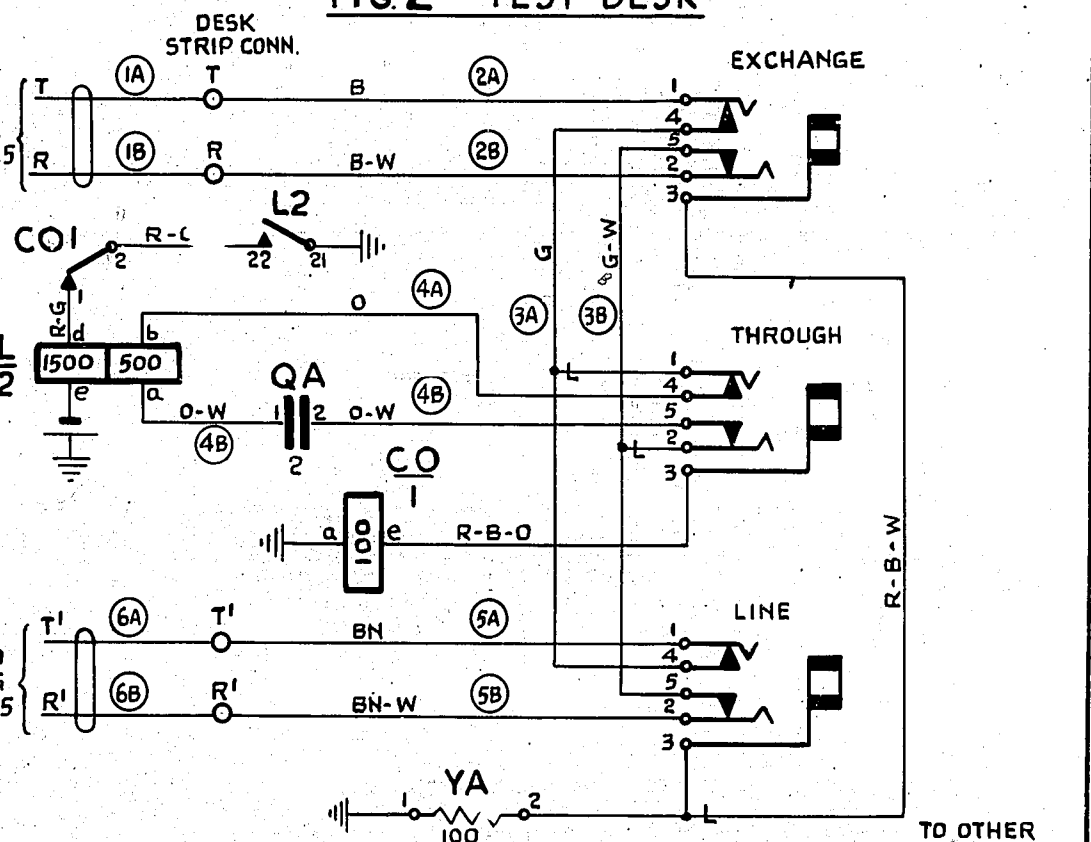
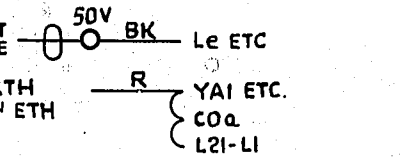


FIG. 2 TEST DESK



NOTES

- FUSING FIG. 1. 1-5A PER 2 CCTS OF JACKS
FIG. 2. 1-5A PER 10 CCTS.
- Ø FOR WIRING SEE GBW 10870 (OR EQUIV)
- WIRES NOT OTHERWISE SPECIFIED TO BE 23 SW.G.



0.0.4