

FIG.1A A.E.R. ALARM DELAY RELAY SET

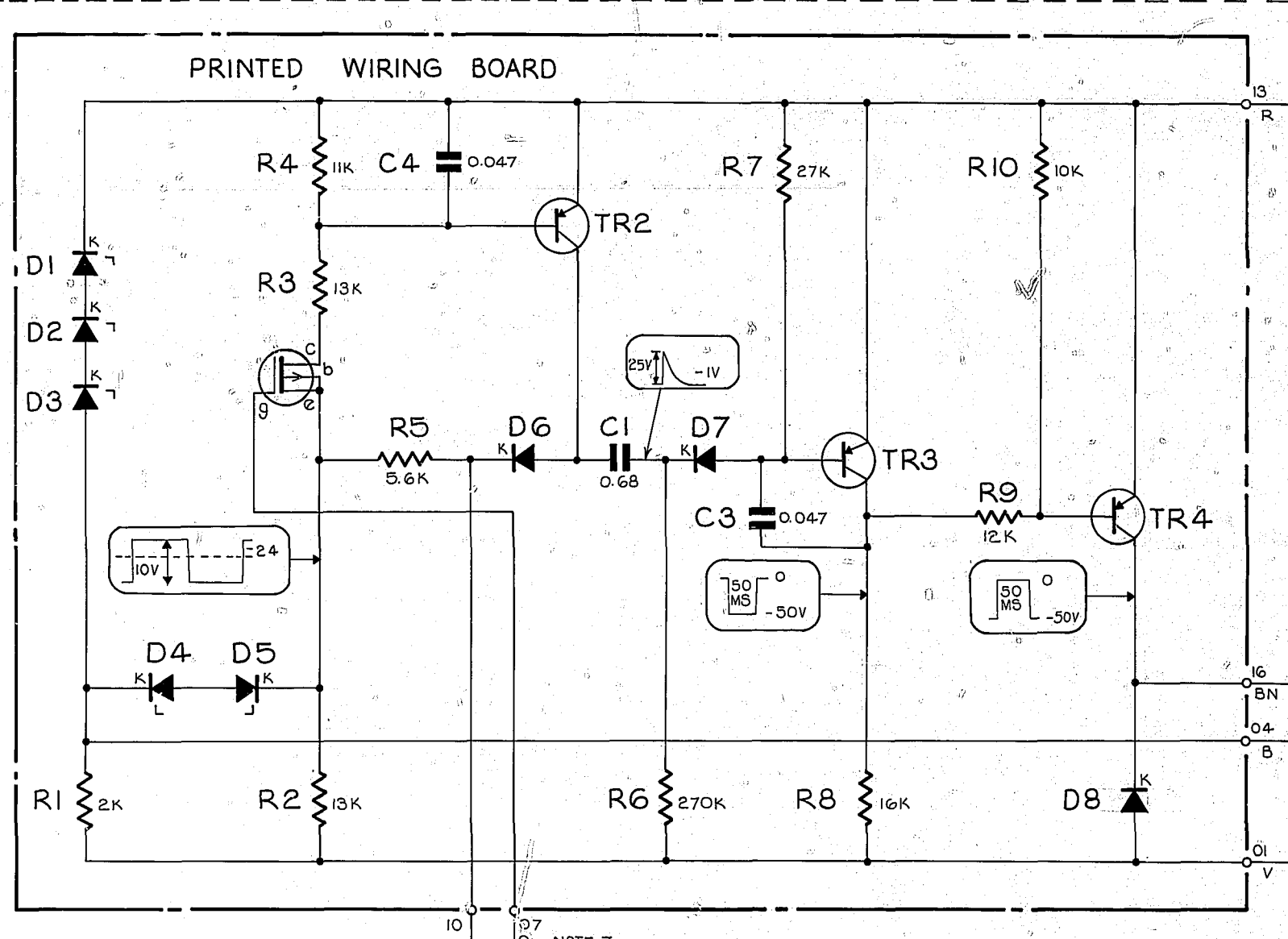


FIG.1B DISTRIBUTION

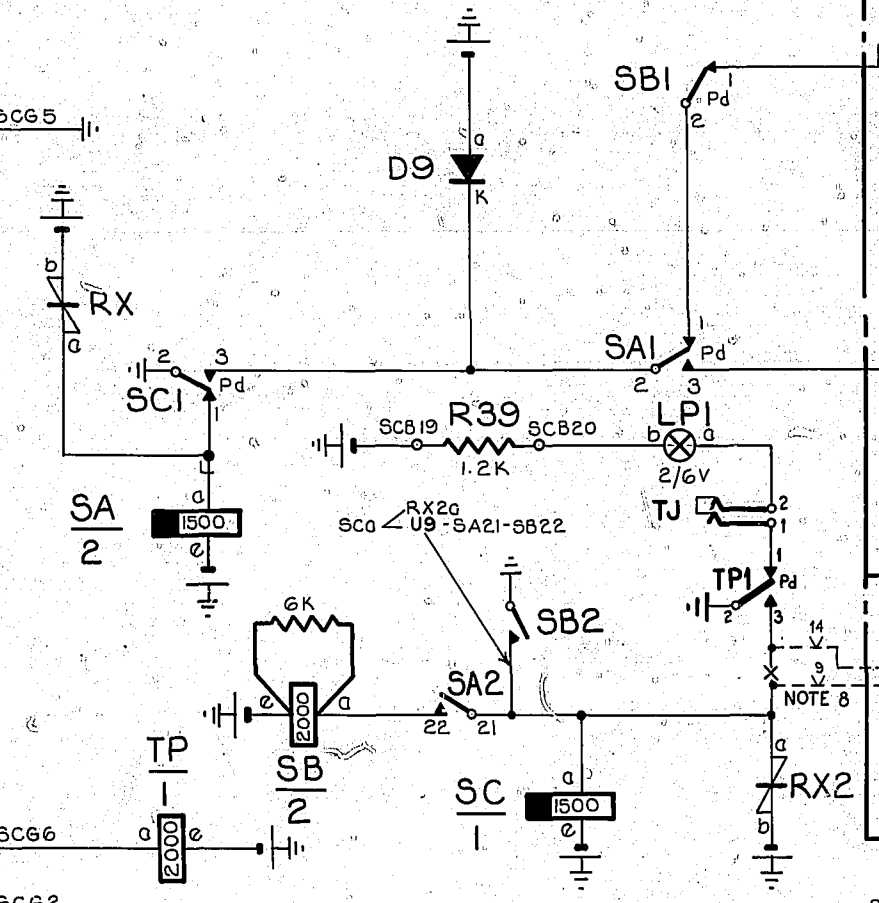
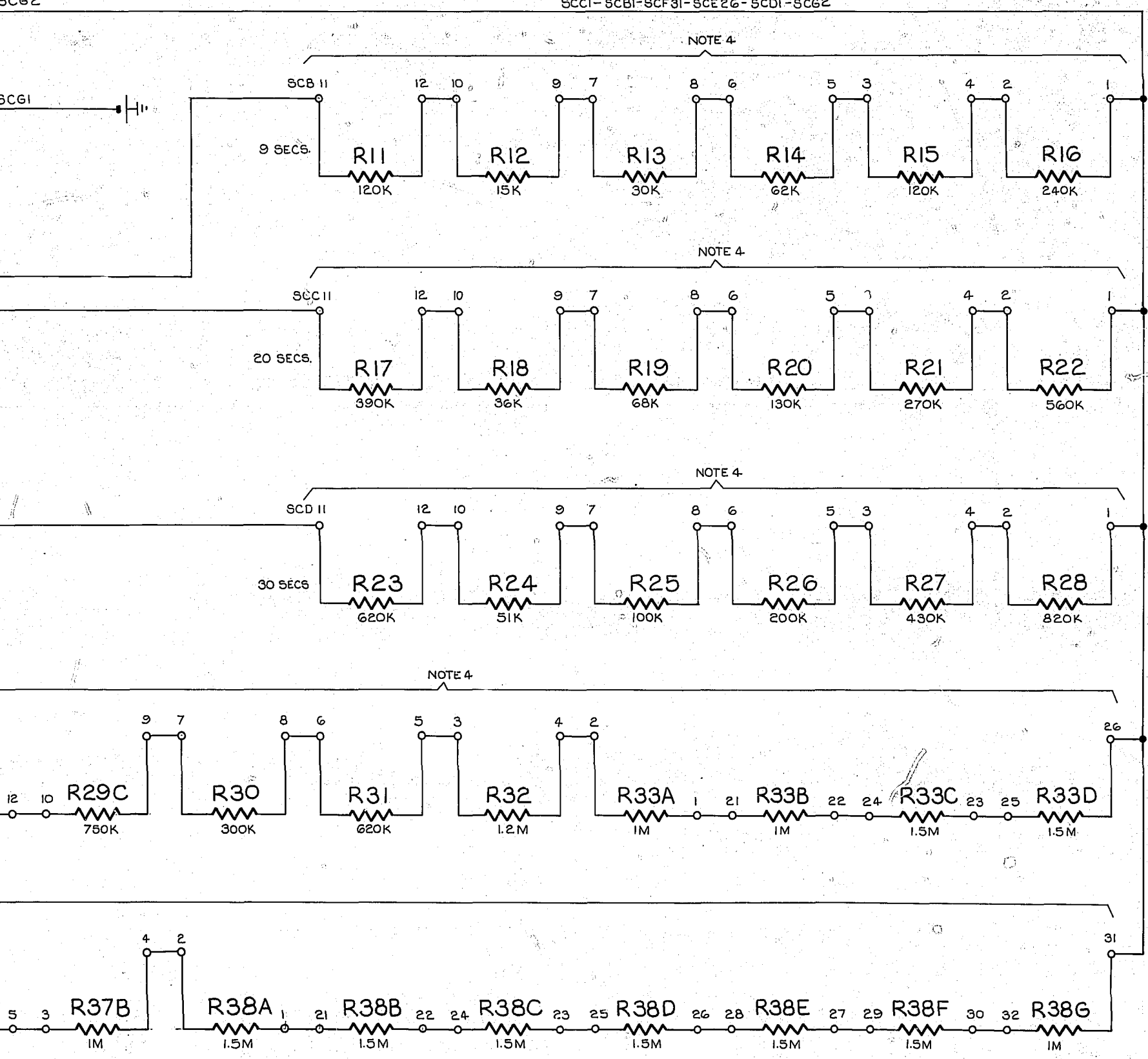
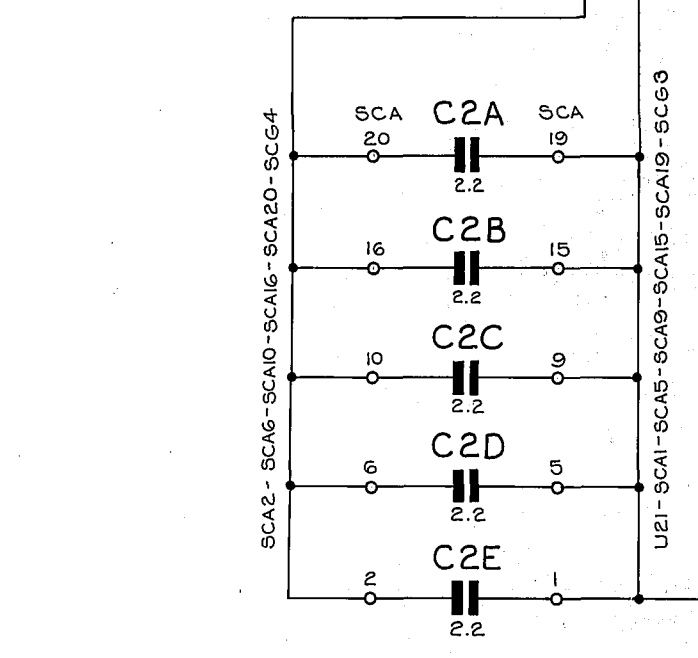
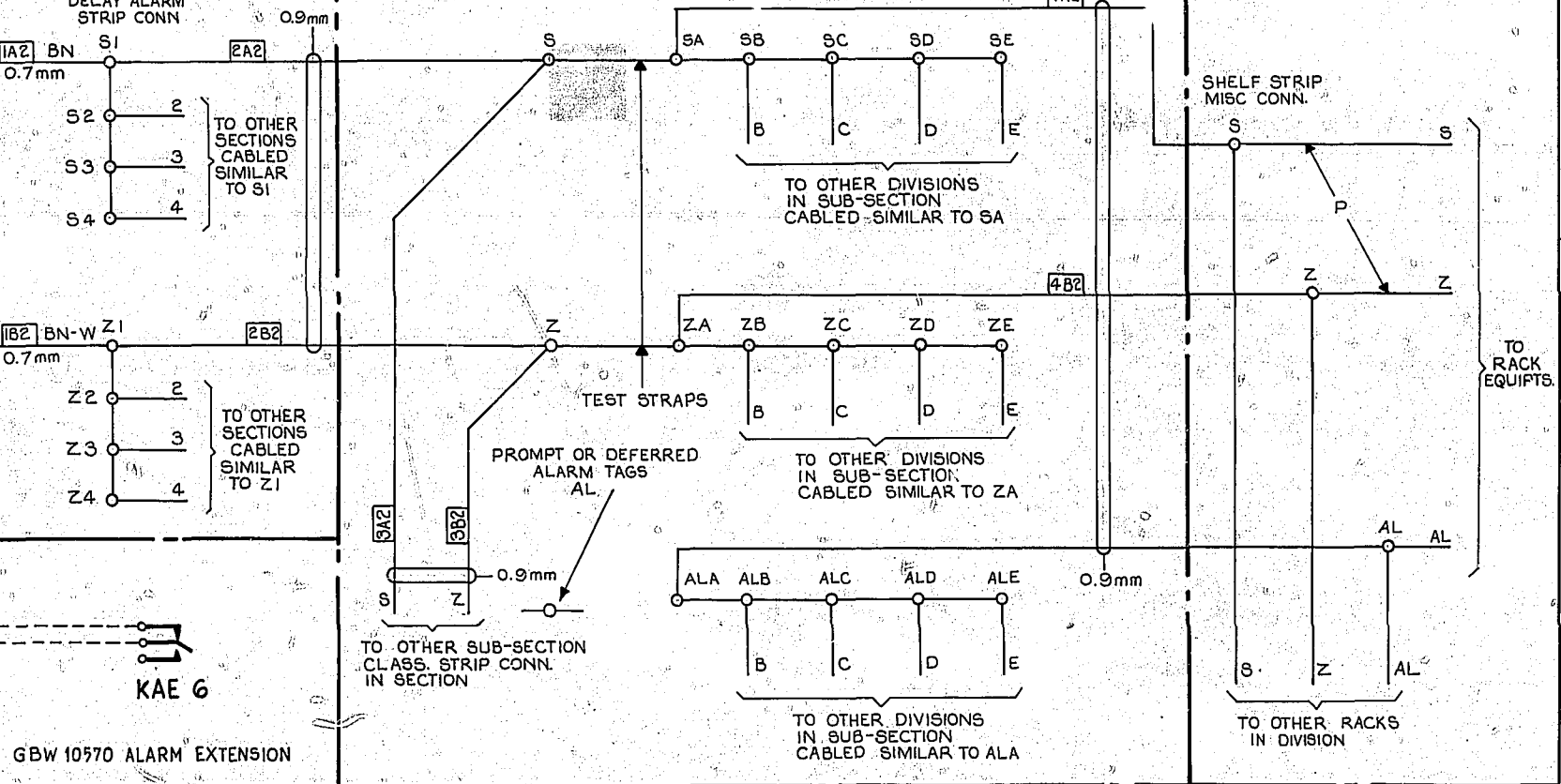


FIG.2 CONNECTIONS TO SUB-SECTION ALARM CLASSIFICATION STRIP CONNECTION



- NOTES:-
- FUSING:- 15A PER CIRCUIT.
  - ALL WIRING TO BE 0.5mm UNLESS OTHERWISE SPECIFIED
  - FOR 9 SEC. TIMING PERIOD STRAP U21-U23 USING CONN-1-1-1-1-1  
 20 " U21-U25 " 2-2-2-2-2  
 30 " U21-U29 " 3-3-3-3-3  
 6 " U21-U31 " 5-5-5-5-5
  - RESISTORS TO BE STRAPPED OUT AS NECESSARY TO GIVE THE REQUIRED TIME PULSE PERIOD ACCURACY.
  - TERMINALS ON THE ALARM CLASS STRIP CONN. ARE SHOWN FOR EXPLANATORY PURPOSES ONLY.
  - Ø FOR WIRING SEE RELEVANT RACK COMMON SERVICES DIAGRAM.
  - TO PREVENT DAMAGE TO TR1 IT IS NECESSARY BEFORE REMOVING THE PRINTED CIRCUIT WIRING BOARD FROM THE PLATE TO DISCONNECT AND SOLDER TOGETHER THE (Ø&G) LEADS FROM TAGS 07 & 10 AT SCG.
  - ON 6 MINS ALARM DELAY RELAY SETS REMOVE WIRE MARKED-X- AND PROVIDE WIRING TO GBW 10570 MARKED-----

NOT TO BE USED FOR NEW WORK

35	11-1-84	GUAN	41333	1AA	SCG	AMP 1.5 RZM X1
36	10-10-80	AG	1712	6		RETAGGED & METRICATED
37	21-7-71	12153				REVISION FOR INSTRUCTION BOOK
38	21-7-71	12153				REVISION FOR INSTRUCTION BOOK
39	21-7-70	12671				WAS C2. NZ NOTE A DELETED
40	21-7-70	12671				RW IN 2. NOTE A ADDED
41	21-7-69	13021				RW C2 & 2'S ADDED
42	21-6-69	13021				RW TAGS SCB19 & 20 TRANSPOSED
43	21-6-69	13021				RW

PROOF

ISS	DATE	DEL	DC	ORDER	CKD	APPD	CHANGE
DRN	S.S.SECT.	CKD					ORIGIN S.S.SECT.
TCD	A.G.	APPD					STANDARD ATW 22001

NZ PO ENGINEER-IN-CHIEF, WELLINGTON.

GBW 11291
-----------

ALARM DELAY RELAY SET USING TRANSISTOR LONG PERIOD TIMER (9 SECS, 20 SECS, 30 SECS, 3 MINS, OR 6 MINS DELAY) NOTE 7

