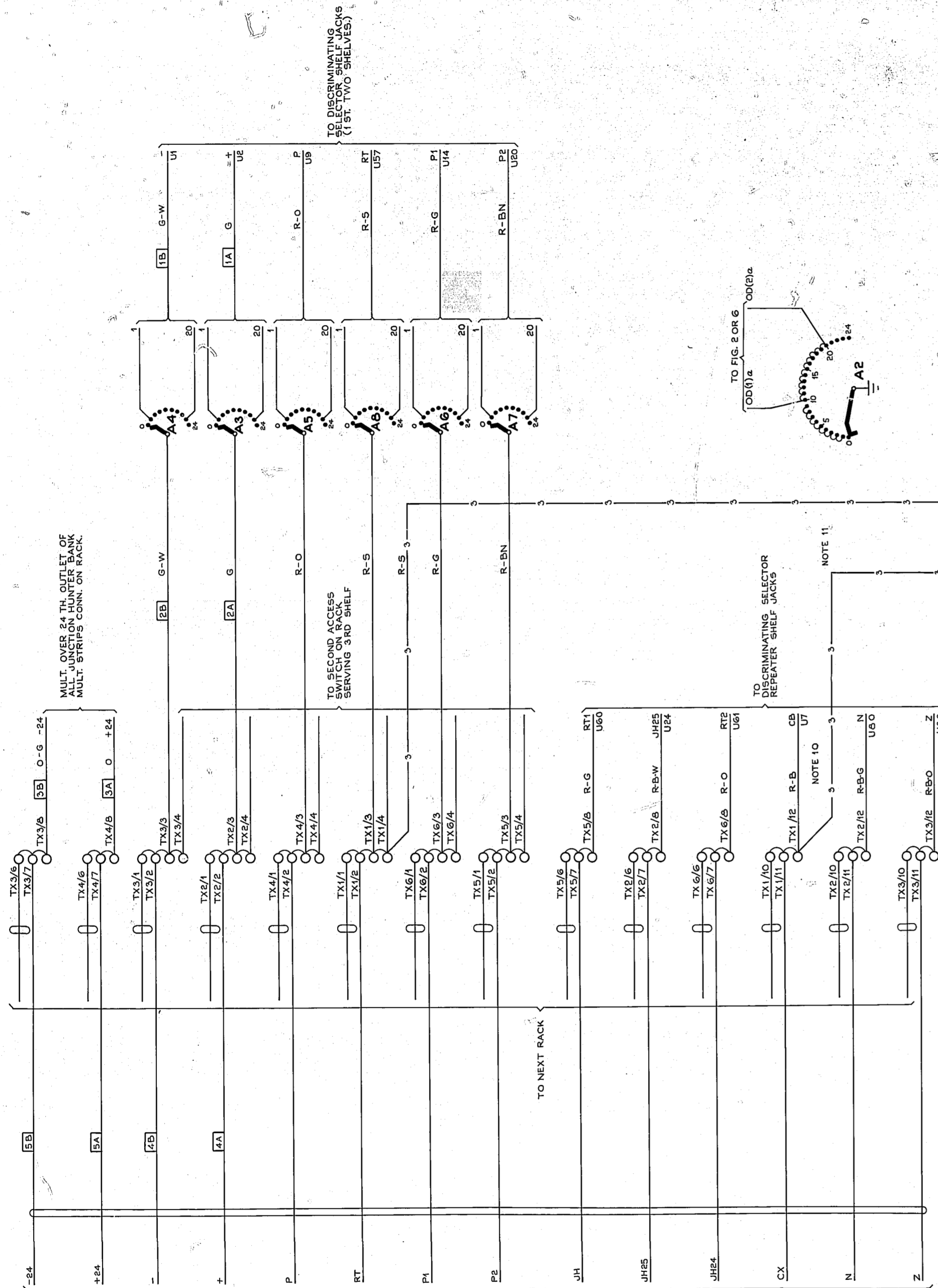


UD 237

FIG. 1  
1 PER RACK



EARTH R. ETH. BAR 0.7mm GAD-A1-A1/24 TO 21-A2/W

FIG. 2  
1 PER ROUTINER  
GRADED RACKS

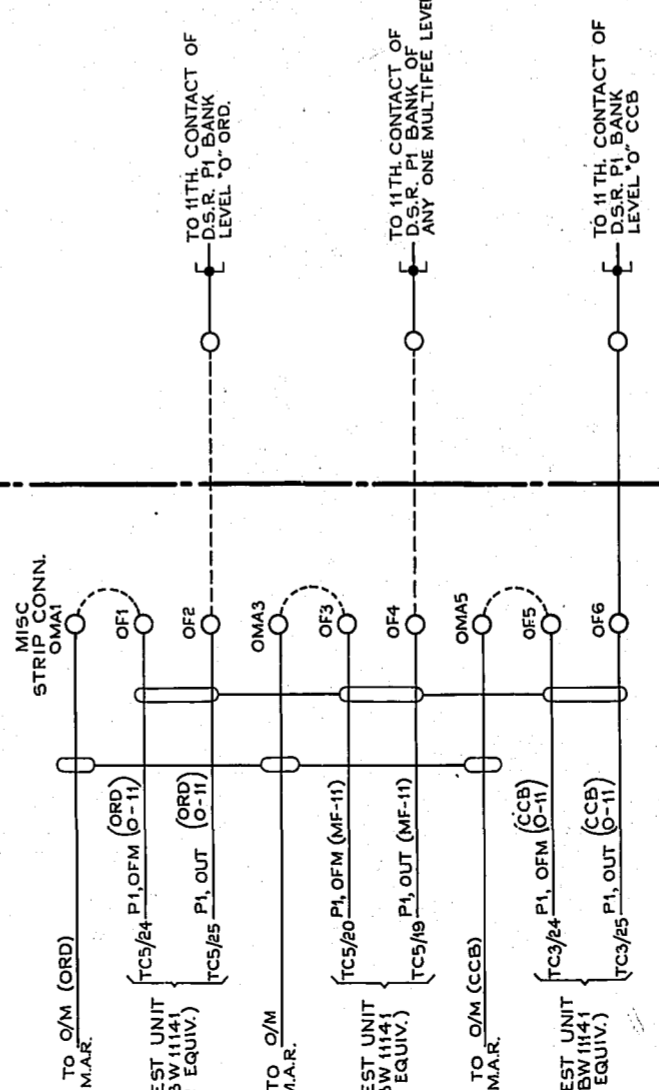


FIG. 3  
1 PER 10 RACK

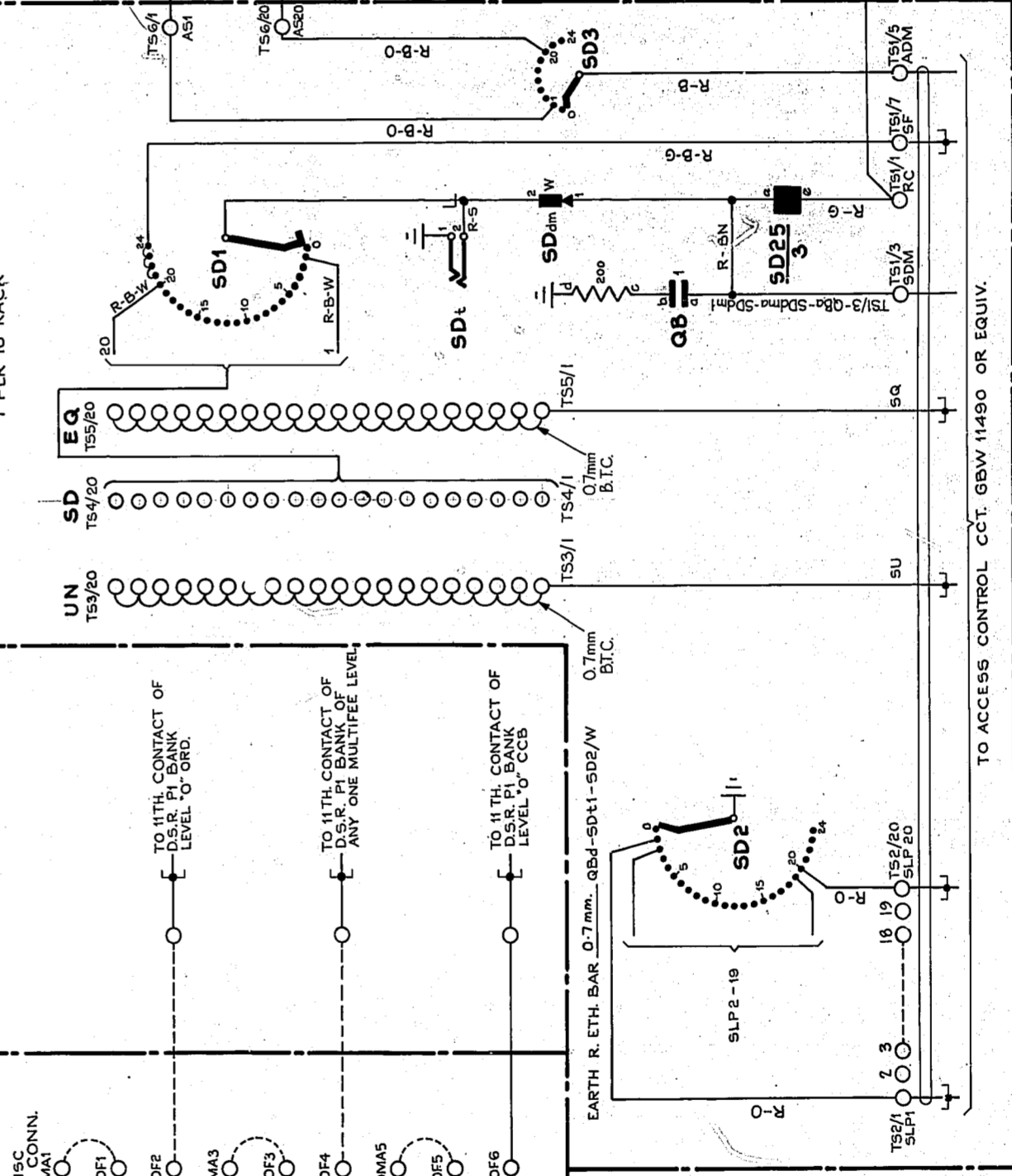
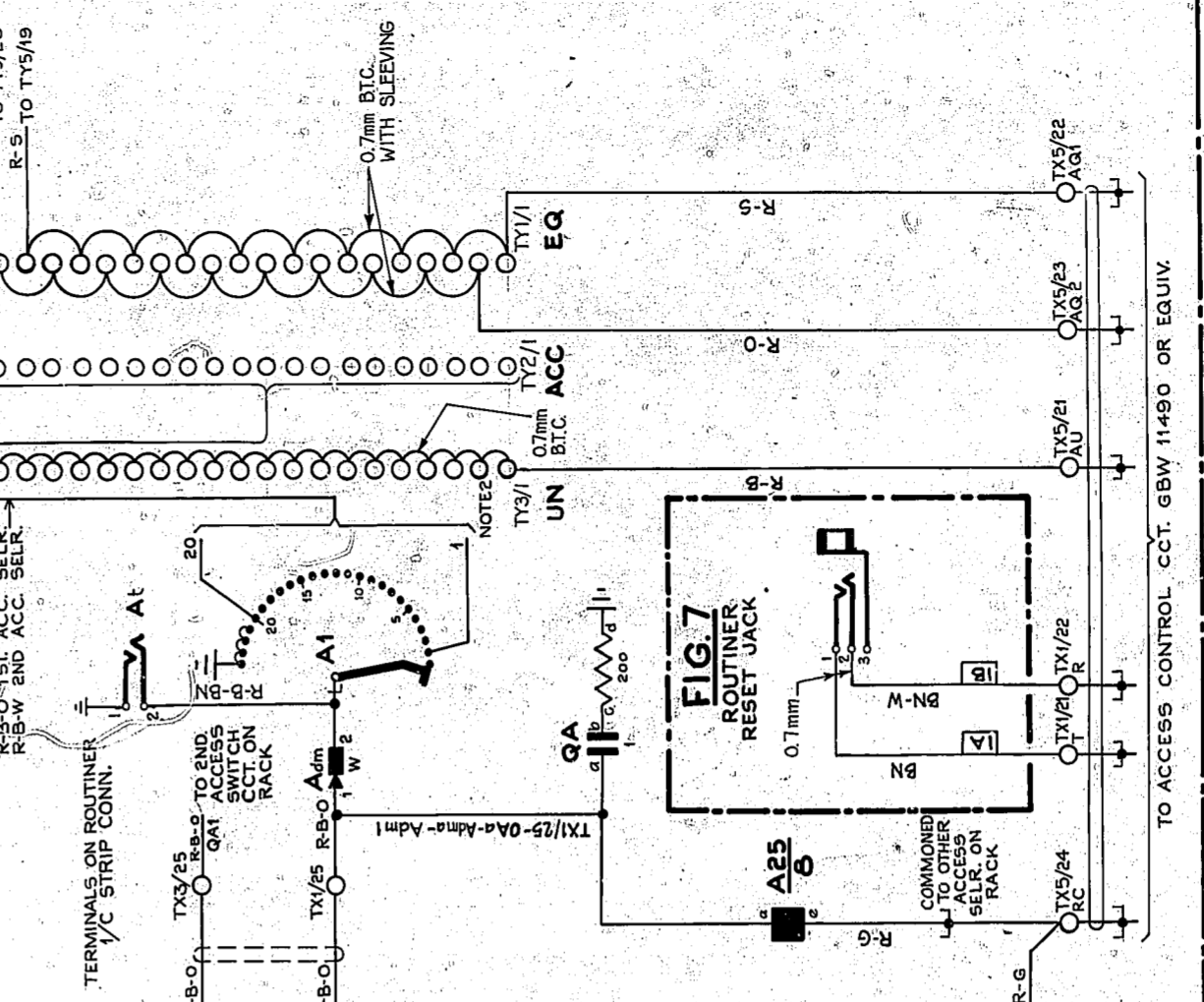


FIG. 7  
ROUTINER  
RESET JACK



NOTES:-

1. FUSING - TEST LINE RELAYS FUSED WITH BATTERY SW.
2. TERMINAL ALLOCATIONS SHOWN ARE FOR ACCESS SWITCH NR 1. IF UNEQUIPPED, TERMINALS TY2/1-20 AND TY4/1-20 ARE STRAPPED TO TY3/1-20. TERMINALS TY3/1-20 AND TY4/1-20 ARE STRAPPED TO TY2/1-20. TERMINALS TY2/1-20 AND TY3/1-20 ARE STRAPPED TO TY1/1-20.
3. TERMINALS TS4/1-20 ARE STRAPPED TO TS5/1-20 IF EQUIPPED AND TO TS3/1-20 IF UNEQUIPPED.
4. INSERT STRAPS SHOWN THUS  $\text{---} \text{---} \text{---}$  WHEN OUTLET IS A SPARE LINE. INSERT STRAPS SHOWN THUS  $\text{---} \text{---} \text{---}$  WHEN OUTLET IS A WORKING LINE.
5. ALL WIRING TO BE 0.5mm UNLESS OTHERWISE SPECIFIED WHEN LOCAL PLATE STRAPPING IS USED WIRE COLOURS SHOWN IN BRACKETS ARE TO BE DISREGARDED.
6. THE 3RD 'OD' IS WIRED FROM CONTACTS 1-10 OF A2 ARC OF 2ND ACCESS SW.
7. LOCAL TEST LINE IS DEPENDENT ON EXCHANGE NUMBERING SCHEME AND IS NOT TO BE USED FOR PHYSICAL ONE.
8. REFER TO FIG. 5 FOR PHYSICAL ONE.
9. NORMAL SHELF TIES ON BANK MULT STRIP CONN. TO BE DISCONNECTED.
10. THIS LEAD IS ONLY REQUIRED ON RACK MOUNTING COIN BOX D.S.R.S.

11. WHEN REGULAR D.S.R.'S COMPRISING A CCB GRADING ARE TO BE TESTED ADD FIG. 5 AND WIRING SHOWN THUS  $\text{---} \text{---} \text{---}$

ROUTINER FOR DISCRIMINATING  
SELECTOR REPEATERS.  
ACCESS SELECTOR WITH  
SECONDARY DISTRIBUTOR.

ISS DATE	DEL CD	ORDER	CHK	APPD	CHANGE
DRN S. S. SECT	CKD	ORIGIN S. S. SECT			
TCD E. U.	APPD	STANDARD	ATW22001		
NZPO ENGINEER-IN-CHIEF, WELLINGTON					
1 of 3					
A1 GBW 11131					

PROOF

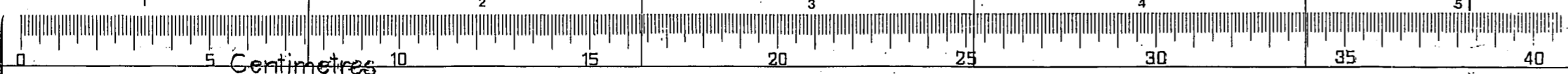
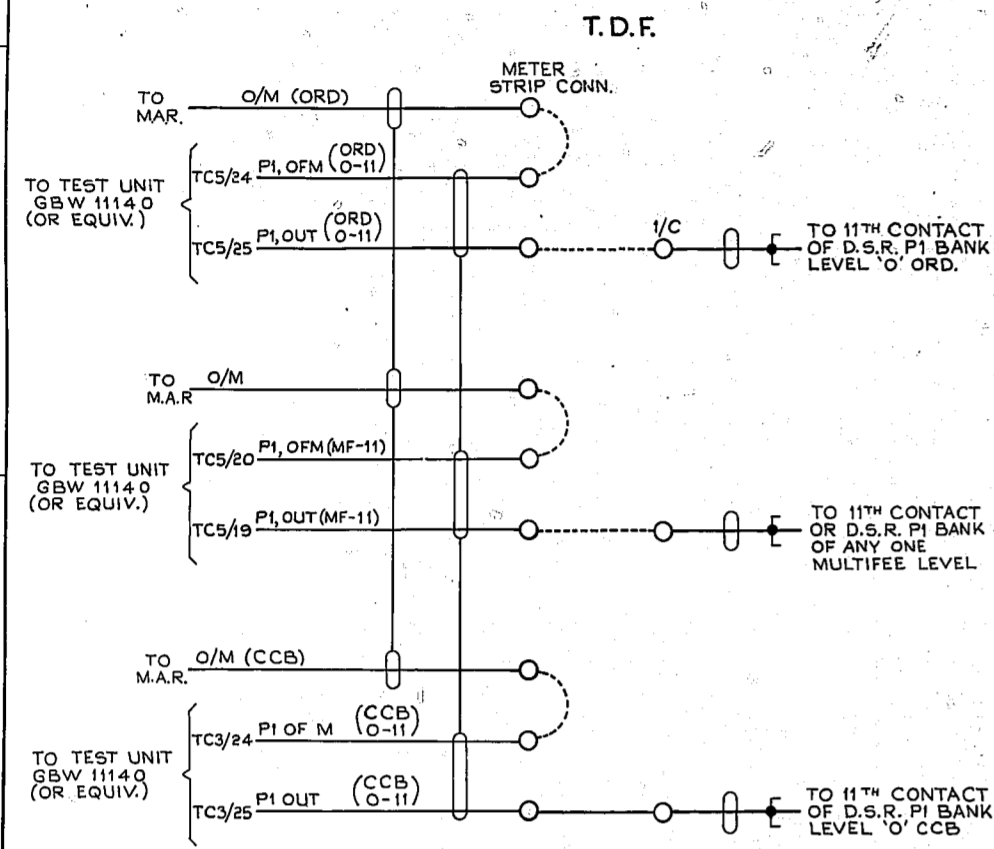
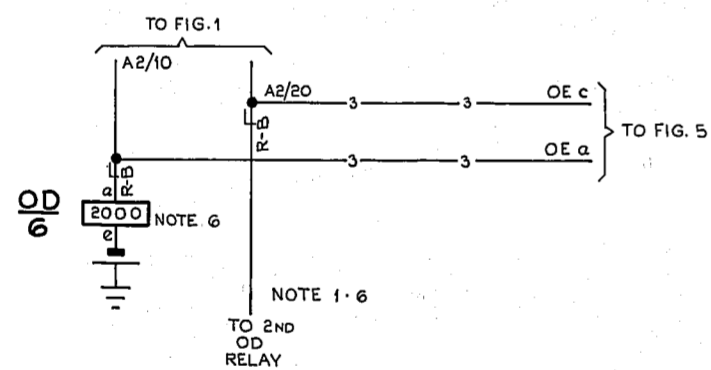


FIG. 4

1 PER ROUTINER  
NON-GRADED RACKS



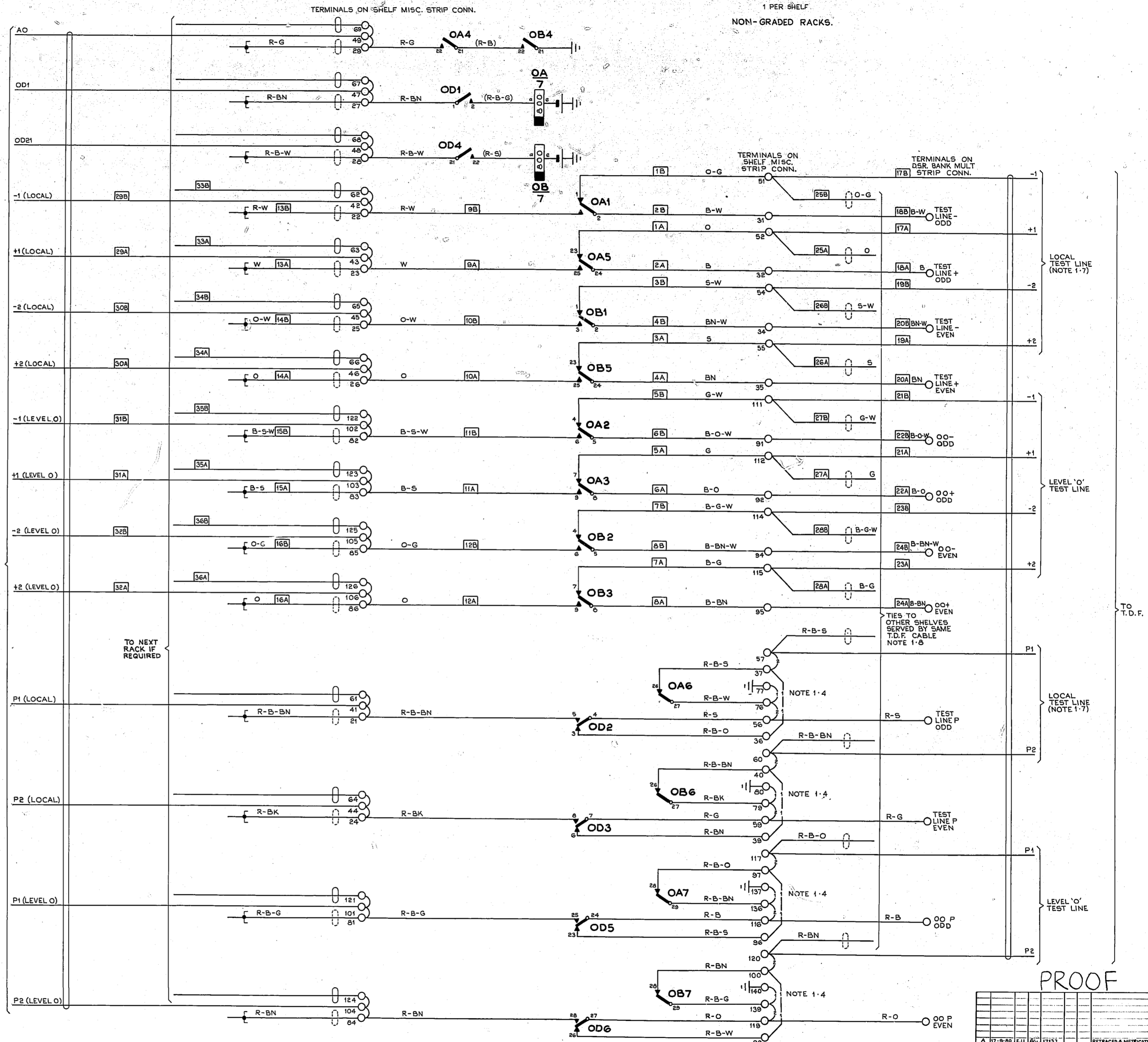
NOT TO BE USED FOR NEW WORK.



BATT. BK. FUSE — OA (1)e — OB (1)e — OD (1)e — OA (2)e — OB (2)e — OD (2)e  
 ETH. R ETH BAR — OA (3)e — OB (3)e — OD (3)e — (OE b — OE e)  
 0.7mm — OB (1)21 — OB (2)21 — FIG. 5  
 OB (3)21 — TAG 77 — TAG 80 — TAG 137 — TAG 140 ETC.

FIG. 2

1 PER SHELF  
NON-GRADED RACKS.



TIES TO OTHER SHELVES SERVED BY SAME T.D.F. CABLE NOTE 1-8

TO NEXT RACK IF REQUIRED

PROOF

NOT TO BE USED FOR NEW WORK.

ROUTINER FOR DISCRIMINATING  
 SELECTOR REPEATERS  
 ACCESS SELECTOR WITH  
 SECONDARY DISTRIBUTOR

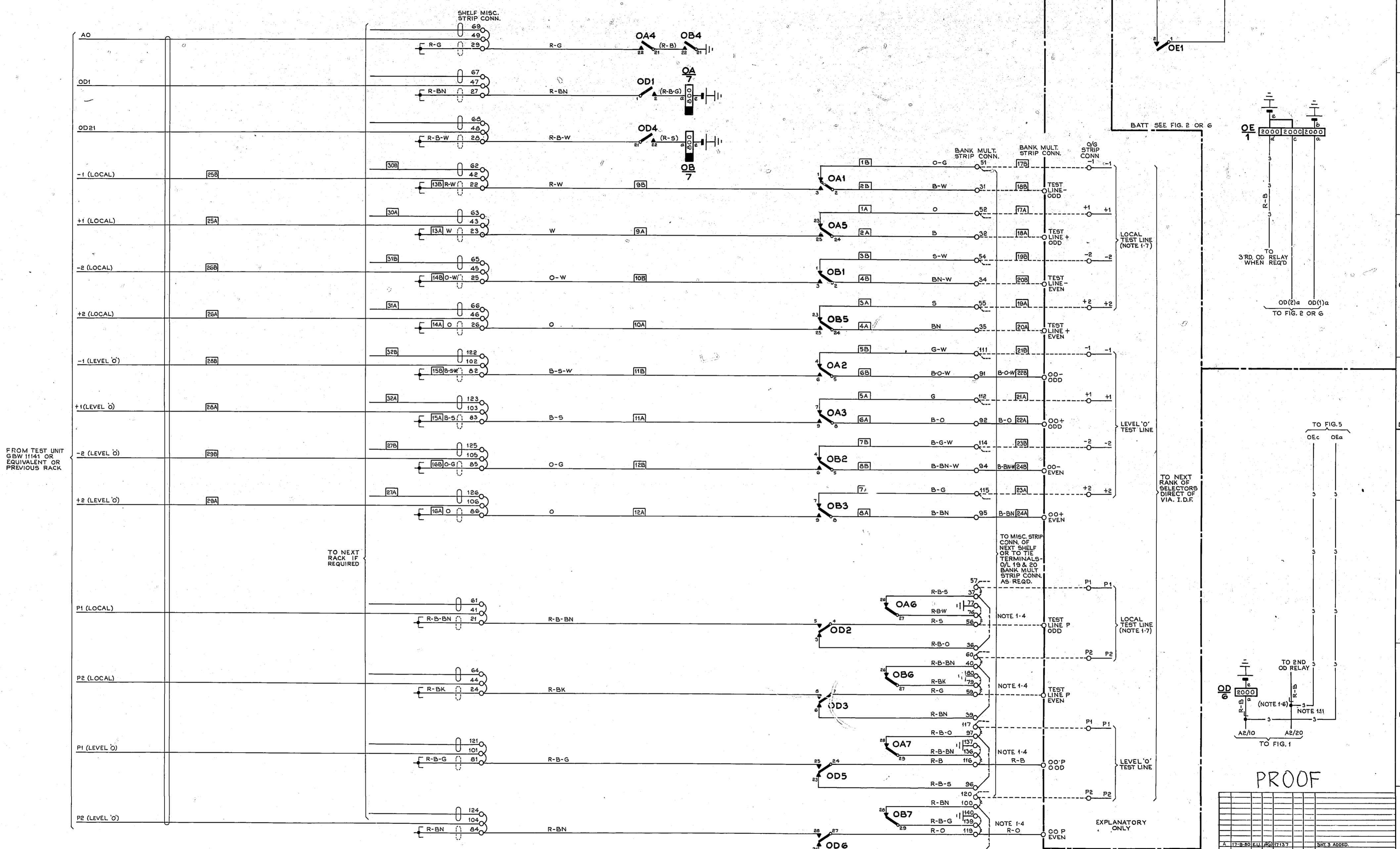
ISS DATE	DEL	DC	ORDER	CHK	APD	CHANGE
DRN S. S. SECT	CKD	ORIGIN S. S. SECT.				
TCD E.U.	APP	STANDARD ATW22001				
NZPO ENGINEER	REF, WELLINGTON,					
SHT 2 of 3	SIZE A1	GBW 11131				

UD 237

Centimetres

**FIG. 6**  
1 PER SHELF  
GRADED RACKS

**FIG. 5**  
NOTE 111



FROM TEST UNIT  
GBW 11141 OR  
EQUIVALENT OR  
PREVIOUS RACK

TO NEXT  
RACK IF  
REQUIRED

BATT SEE FIG. 2 OR 6

LOCAL  
TEST LINE  
(NOTE 1-7)

LEVEL 'O'  
TEST LINE

TO NEXT  
RANK OF  
SELECTORS  
DIRECT OF  
VIA. I.D.F.

LOCAL  
TEST LINE  
(NOTE 1-7)

LEVEL 'O'  
TEST LINE

TO MISC. STRIP  
CONN. OF  
NEXT SHELF  
OR TO TIE  
TERMINALS -  
D/L 19 & 20  
BANK MULT.  
STRIP CONN.  
AS REQ'D.

NOTE 1-4

NOTE 1-4

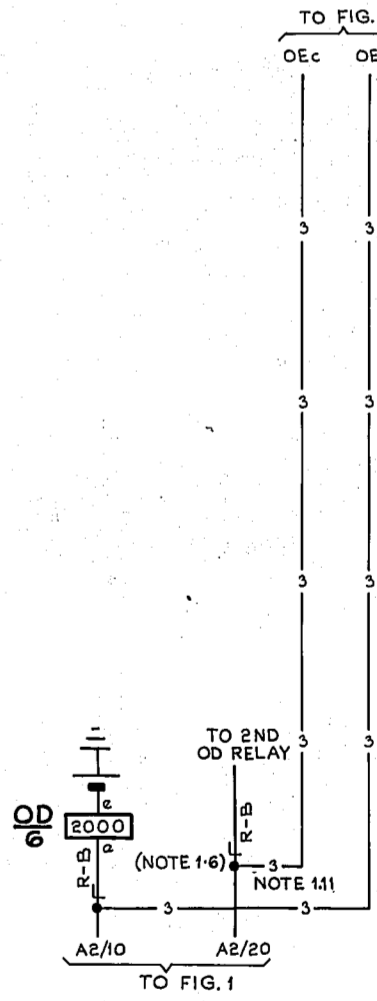
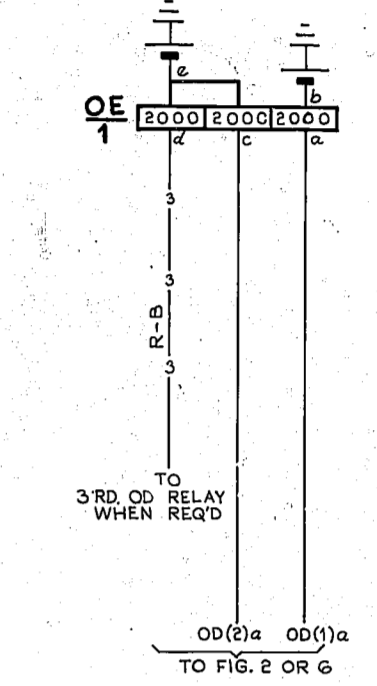
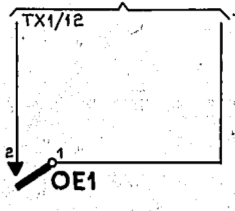
NOTE 1-4

NOTE 1-4

BATT. V FUSE — OA(1)e-OB(1)e-OD(1)e-OA(2)e-OB(2)e-OD(2)e  
OA(3)e-OB(3)e-OD(3)e-(OEb-OEe) FIG. 5  
EARTH R. ETH. BAR — OB(1)21-OB(2)21  
0.7mm — OB(3)21  
TAG 77-TAG 80-TAG 137-TAG 140 ETC.

**ROUTINER FOR DISCRIMINATING  
SELECTOR REPEATERS  
ACCESS SELECTOR WITH  
SECONDARY DISTRIBUTOR.**

FIG. 1



**PROOF**

ISS DATE	DEL	DC	ORDER	CHK	APPD	CHANGE
DRN S. S. SECT.	CKD	ORIGIN S. S. SECT.				
TCD E. U.	APPD	STANDARD ATW22001				
NZPO ENGINE	CHIEF, WELLINGTON.					
SHT	SIZE	A1	GBW 11131			



UD 237