

T.D.F. O/G
OR I.D.F. MULT

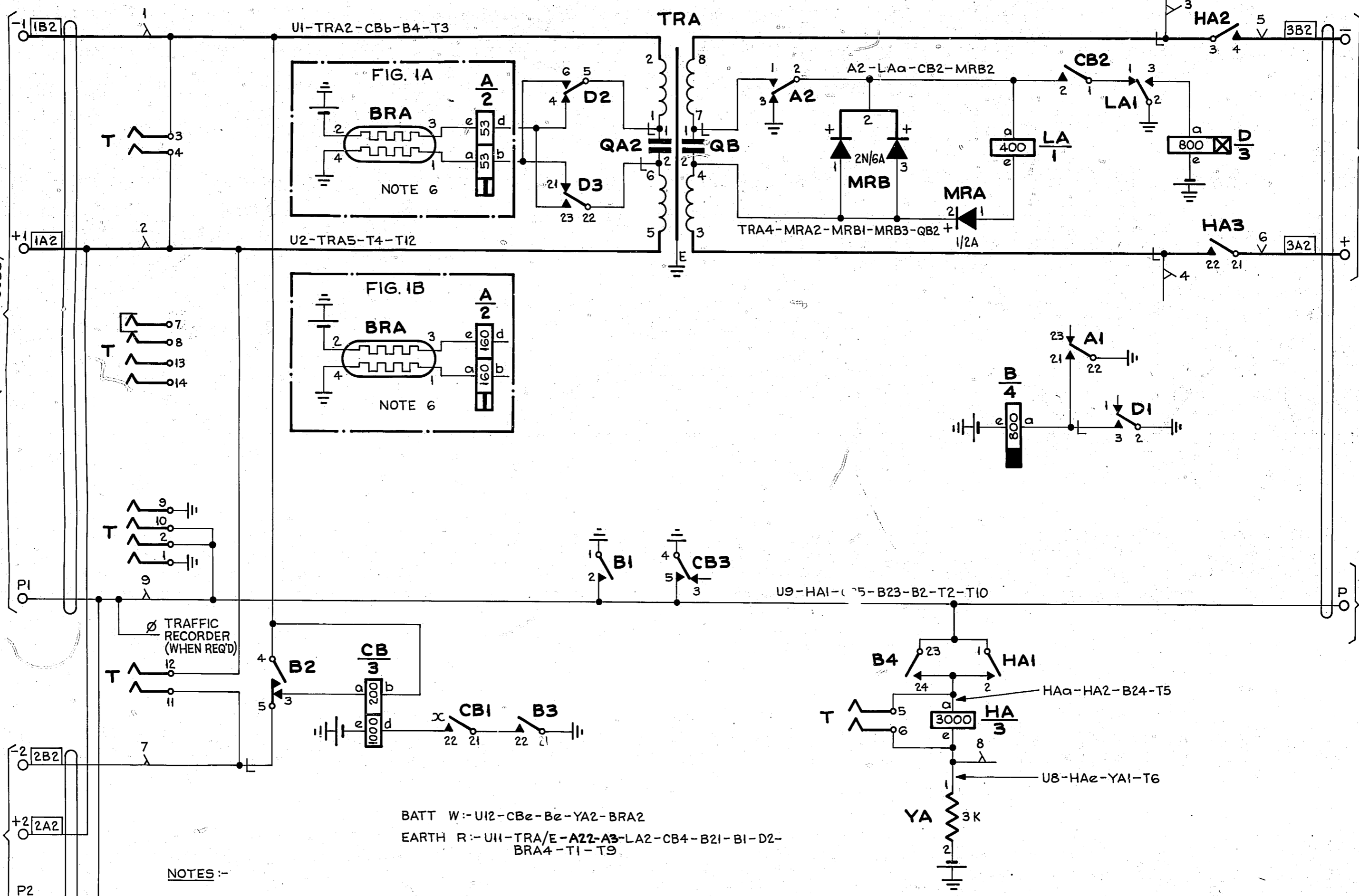
I.D.F.
LOCAL
(WHEN REQ'D)

FROM GROUP SELECTOR LEVELS (ORDINARY SUBS) NOTE 6

FROM GROUP SELECTOR LEVELS (COIN BOX SUBS) OR EMERGENCY SERVICE OVERFLOW

TO JUNCTION VIA T.J.F. (WHEN REQ'D) AND M.D.F.

TO T.J.F. (WHEN REQ'D)



NOTES :-

1. FUSING: 1.5A PER RELAY SET.
2. JACK POINTS 9 & 11 MAKE CONTACT WHEN RELAY SET IS REMOVED.
3. ON SOME EARLY EQUIPMENT TRA/E WAS NOT SHOWN IN ETH RUN.
4. Ø FOR WIRING SEE RELEVANT RACK COMMON SERVICES DIAG.
5. THIS MODIFIED VERSION OF GBW 11120 PROVIDES MANUAL HOLD OF BOTH LOCAL AND INCOMING (VIA 2-WIRE JUNC) DEMAND AND/OR EMERGENCY SERVICE CALLS.
6. WHEN CONNECTED TO I/C G/S LEVELS ACCESSIBLE FROM JUNCTIONS TO NEC X-BAR EXCHANGES, LOOP CONDUCTOR RESISTANCE IS: LESS THAN 1600Ω, USE FIG. 1A BETWEEN 1600Ω AND 2000Ω, USE FIG. 1B.

F.U. AUCKLAND AREA

					T 14	<input type="checkbox"/> SLOW RELEASE	<input checked="" type="checkbox"/> SLOW OPERATE	
					JUNCTION RELAY SET O/G TO TOLL BOARD (ORD, CCB EMERG SERV ACC) 2000 TYPE			
D2 ADDED TO EARTH RUN. CONTACTS A1 & A3 REVERSED (193483)					C	26-6-78	RED	
RETRACTED. FIG. 1B AND NOTE 6 ADDED (68488)					B	25-7-75	B5-H	
MOD 'B' VERSION WITH NEW 'A' RELAY (83803)					A	10-8-67	D.I.B.	
AMENDMENT	PARTICULARS	ISSUE	DATE	APPR	SIZE	S	50V	G
NZPO					GBW 11120 MOD B			