

FIG. 2 200 OUTLET, ORD FINAL SELECTOR SHELVES (3 BANK)

FIG. 3 200 OUTLET 2-10 PBX FINAL SELECTOR SHELVES (4 BANK)

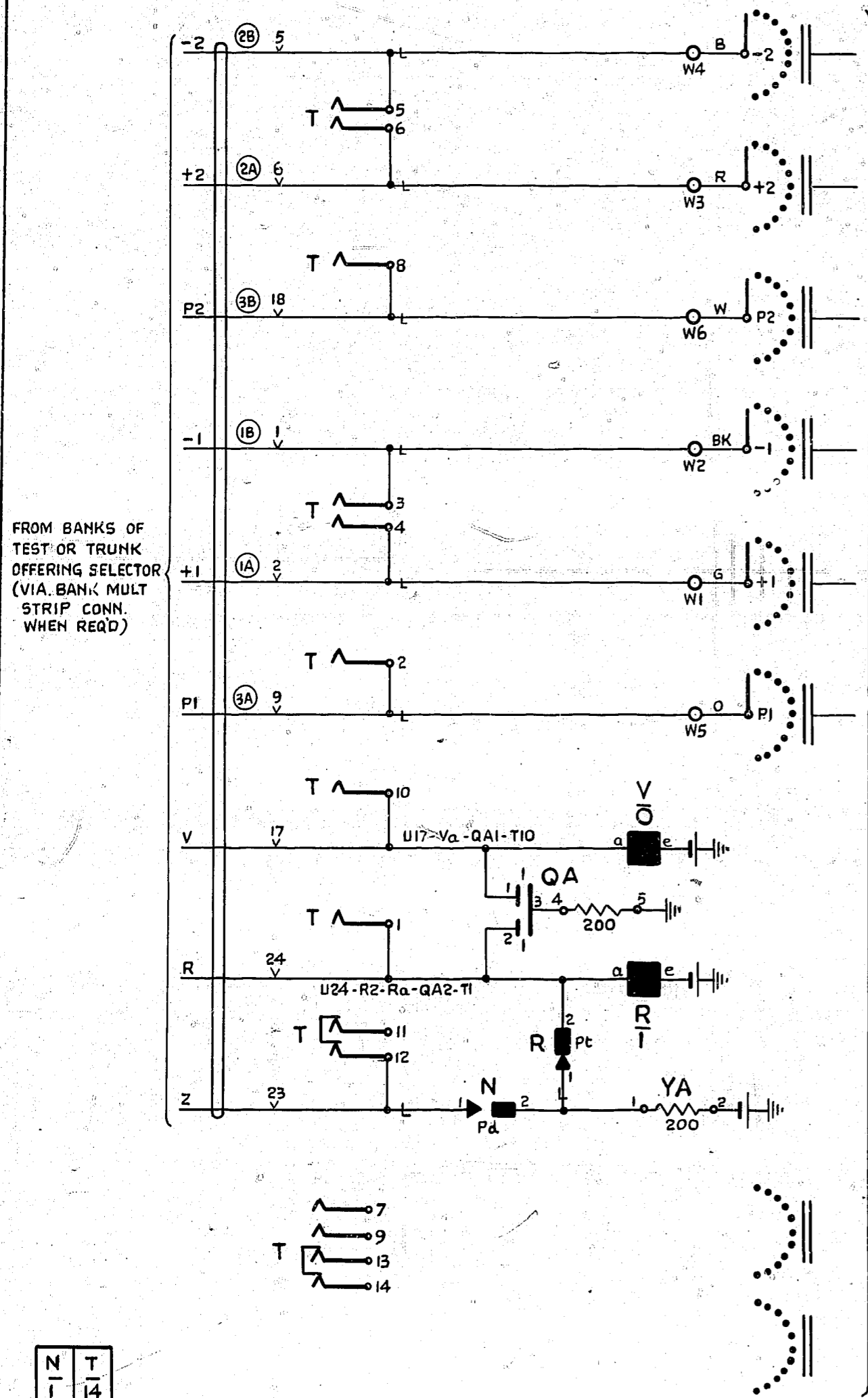
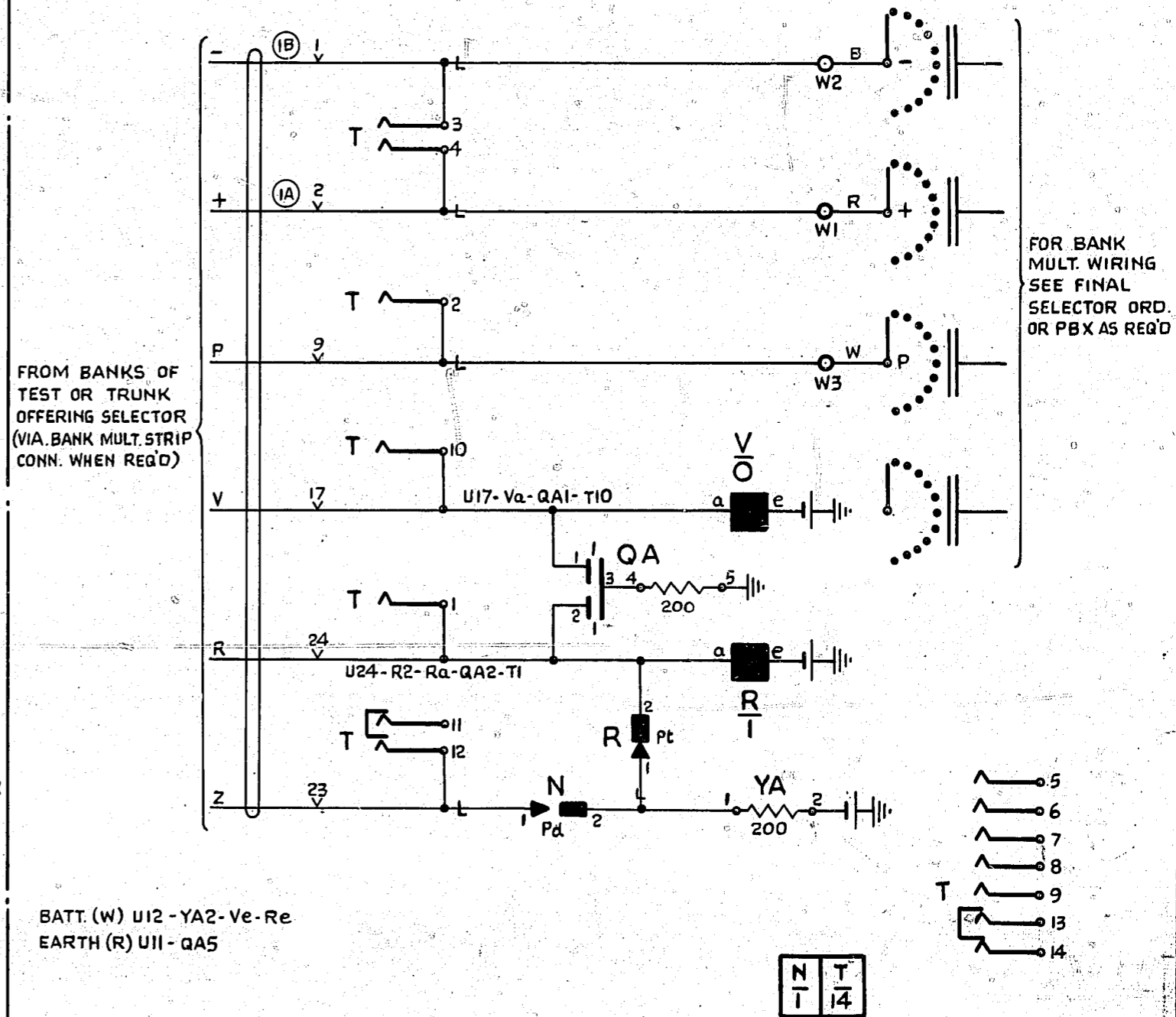


FIG. 1 100 OUTLET



NOTES
1. FUSING: 1.5A PER CIRCUIT

SLOW RELEASE SLOW OPERATE

TEST OR TRUNK OFFERING
FINAL SELECTORS.
2000 TYPE.

FIG. 2 TITLE AMPLIFIED, FIG. 3 ADDED, NOTES 2 & 3 DEL (72707) 2 5.5.67 D.L.B.

1 25.4.49 M.G.B.

AMENDMENT PARTICULARS

ISSUE DATE APPD

50V E

N.Z.P.O.

DRAWN CHECKED

WIRING CIRCUIT

GBW 10890