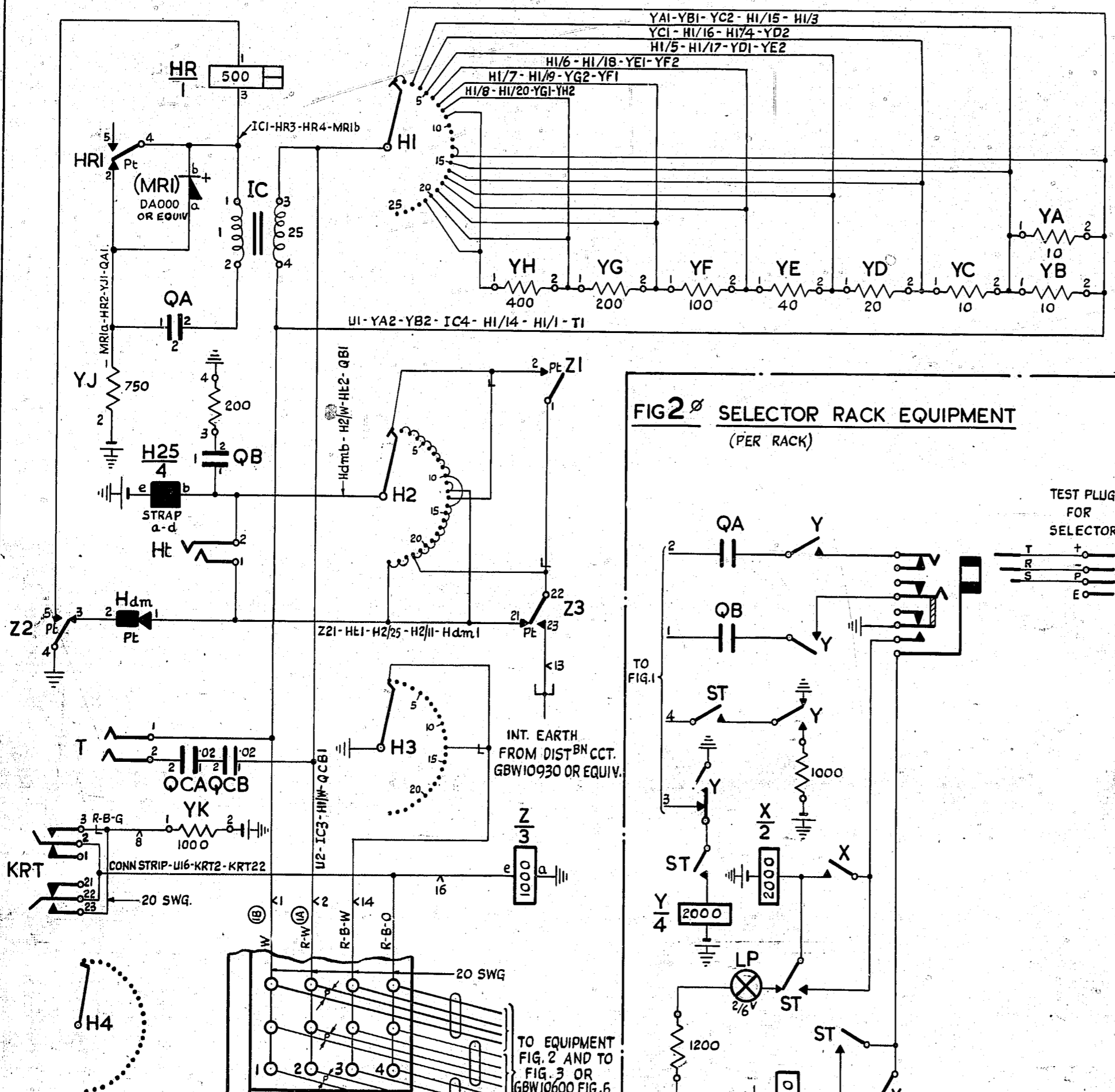


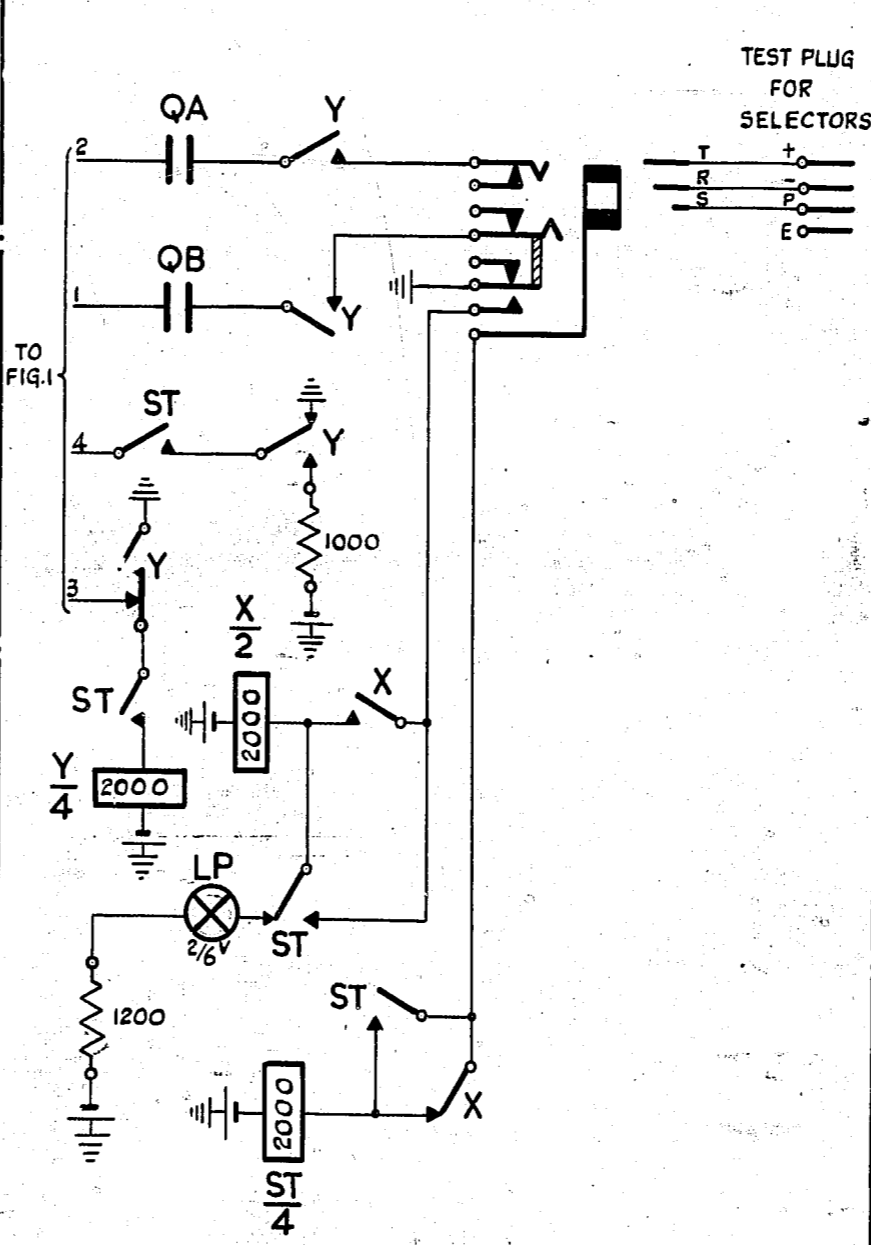
0  
5 Centimetres  
10  
15  
20  
25  
30



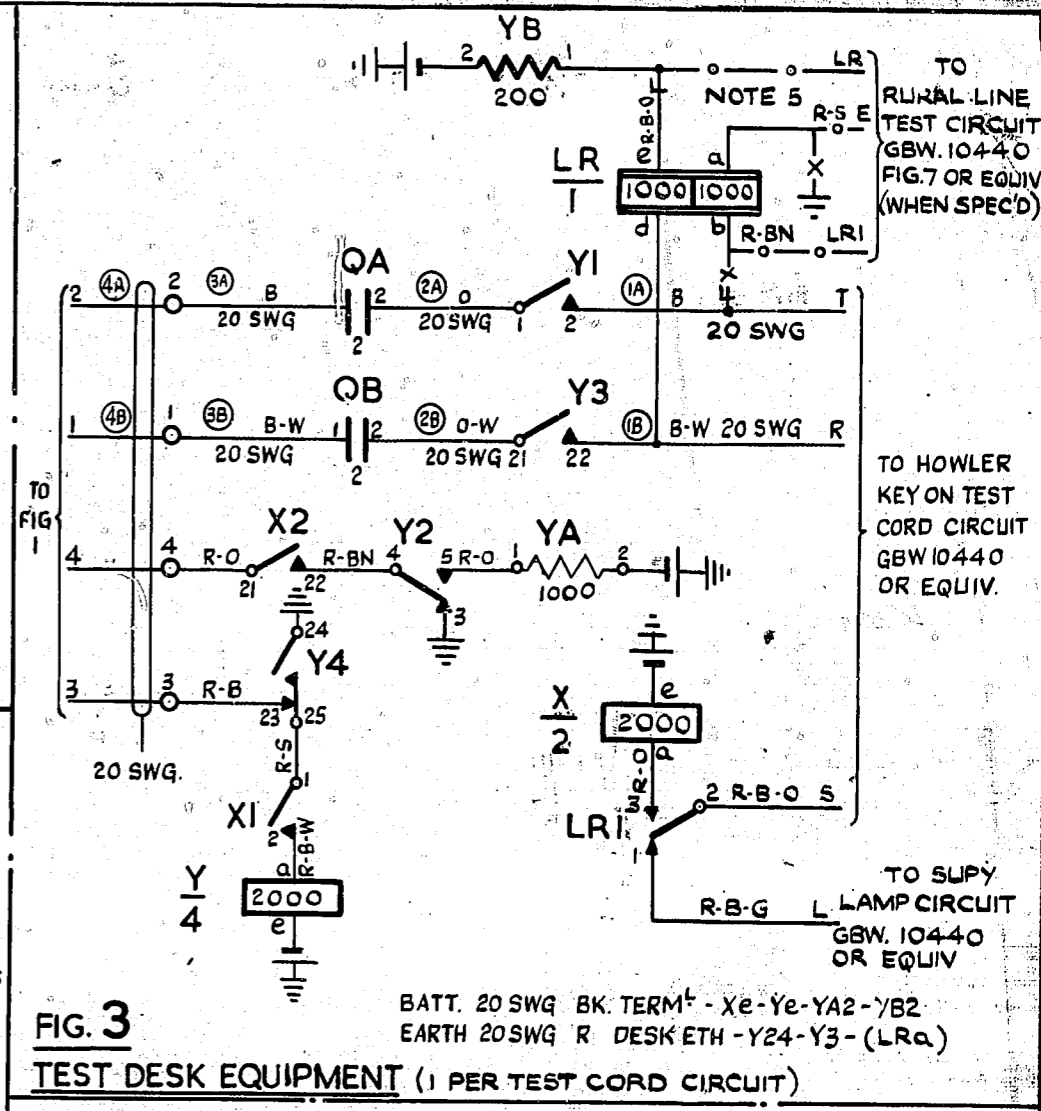
**FIG 1 HOWLER RELAY SET**  
 BATT (W) U12-Hdme-YJ2-YK2  
 EARTH (R) U11-Za-Z4-H3/W-QB4.

1	ROUTINE TEST (KRT)
2	2

**FIG 2 SELECTOR RACK EQUIPMENT (PER RACK)**

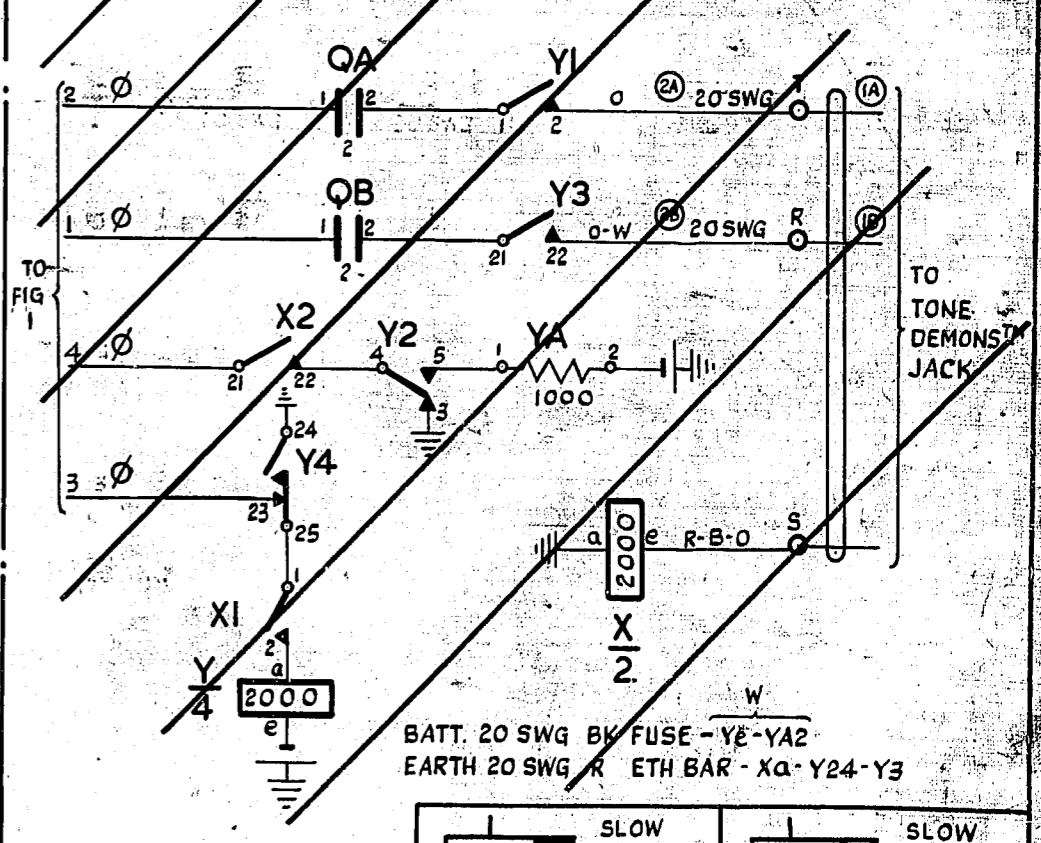


SUPERSEDED BY GBW 10821



**FIG 3 TEST DESK EQUIPMENT (1 PER TEST CORD CIRCUIT)**  
 BATT. 20 SWG BK. TERM<sup>t</sup> - Xe-Ye-YA2-YB2  
 EARTH 20 SWG R. DESK ETH-Y24-Y3-(LRa)

**FIG 4 MONITORS DESK EQUIPMENT**  
 M.A.R.



<input type="checkbox"/>	SLOW RELEASE	<input type="checkbox"/>	SLOW OPERATE
--------------------------	--------------	--------------------------	--------------

**NOTES**

1. FUSING:- FIG.1. 1.5A PER CIRCUIT. FIG.3 FUSE WITH TEST CORD CIRCUIT.
2. IN EXCHANGES WITH OVER 4000 SUBSCRIBERS ULTIMATE TWO HOWLER RELAY SETS SHOULD BE PROVIDED WHEN SPECIFIED.
3. ALL WIRING NOT OTHERWISE SPECIFIED TO BE 23SWG WIRING OF JACKED-IN UNIT TO BE 25 SWG. PLATE STRAPPING TO BE 23 OR 25 SWG.
4. Ø FOR WIRING SEE RELEVANT COMMON SERVICES DIAGRAM.
5. WHEN RURAL LINE TEST FACILITIES ARE SPEC'D. ADD CONNECTIONS SHOWN — o — o — & DELETE CONNECTIONS SHOWN — X — X —

AMENDMENT PARTICULARS	ISSUE	DATE	APPD
RELAY HR CHANGED. MRI ADDED	(82732)	4	10.7.64 D.B.H.
FIG.4 DELETED. NOTES 1 & 2 AND FIG.1 AMENDED.		3	20.12.60 D.B.H.
NOTE 5 & LR RELAY FIG 3. ADDED. NOTE 2 AMENDED		2	18.11.60 M.G.B.

**GRADUATED HOWLER USING UNISELECTOR**

SIZE S 50V E

**GBW 10820**

N.Z.P.O. DRAWN B.W.H. CHECKED WIRING CIRCUIT