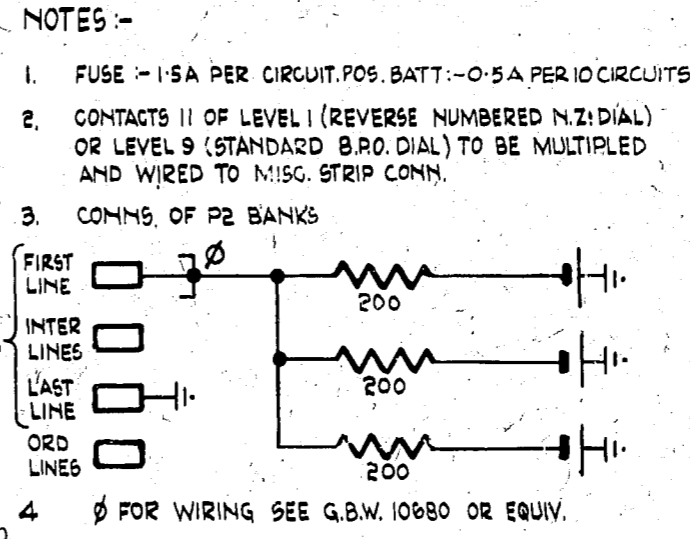


REPLACEMENT TOG. INCORP.	(9919)	7A	14-9-73	B5-H
NZ NOTE A ADDED	(9956)	7A	21-3-73	BSH
NOTES 9 & 10 AMETRIC WIRE SIZES ADDED	(39342)	7	17-2-73	BSH
NZ NOTES A & B DELETED				
AMENDMENT PARTICULARS				
ISSUE DATE	APR			
REF. G.E.C. DRG. & 8565				
200 LINE FINAL SELECTOR				
2-10 PB.X. WITH TOLL FACILITIES				
POSITIVE BATTERY METERING				
2000 TYPE				
GBW. 10802				

BATT. V. 0.7m.m. FUSE (9B) U12  
 EARTH R. 0.7m.m. ETH. BAR (9A) U11

BATT. V. - U12-W56-HR2-HB-R4b-R6b-R3b-Ac-Gb-TLc-R7b-R8b-R10b-RB1b-VMc-RMc  
 EARTH R. - U11-D23-DB6-HR25-CD22-CDd-CD7-H61-H3-Ab-B4-87-TL25-TL5-P25-DAa-DA3-DB23-MR1a-RB1d-R1a-TJ7-TJ9  
 POSITIVE BATTERY Y - U20-R15

NOTES CONTINUED  
 9. WHEN LOCAL METERING IS NOT REQUIRED INSERT STRAP AS SHOWN THUS  
 10. CONNECTIONS OF LINES 10 & 11 ON P2 BANK:-  
 UPPER HUNDRED LINE 11 STRAP MISC. TAG 32 (TO BATT. TAGS VA) OR EARTH TAGS 32 ON MULT. STRIPS  
 LOWER HUNDRED LINE 10 STRAP MISC. TAG 32 ON MULT. STRIPS OR EARTH TAGS 32 ON MULT. STRIPS  
 CONN. AS REQUIRED.  
 UPPER HUNDRED LINE 10 STRAP MISC. TAG 33 TO EARTH TAG (E) ON MULT. STRIPS  
 LOWER HUNDRED LINE 10 STRAP MISC. TAG 33 CONN. AS REQUIRED.



5. WHEN FULL AVAILABILITY FROM GROUP SELECTORS IS SPECIFIED, INCOMING LEADS ARE CABLED DIRECT FROM BANK MULT STRIP CONN. AND NOT VIA T.D.F. IN SUCH CASES THE FOLLOWING STRAPS MUST BE APPLIED ON SITE  
 (a) IN ALL CASES STRAP U11 TO U7.  
 (b) WHEN SELECTOR IS COMBINED TYPE STRAP U10 TO U9.  
 (c) WHEN SELECTOR IS ORDINARY TYPE STRAP U10 TO U7.  
 (d) WHEN NO SELECTOR IS EQUIPPED STRAP U5-U7-U9.  
 6. ALL WIRING TO BE 0.5mm, UNLESS OTHERWISE SPECIFIED

7. WHEN A CENTRALISED I.D.F. IS SPECIFIED THE + & -P. TERMINALS ON BANK MULT STRIP CONN. ARE CABLED TO I.D.F. MULT.  
 8. ON EARLY EQUIPMENT NEG. & POS. BATT. WIRING WAS BK OR W AND R-B RESPECTIVELY.

GBW. 10802

N	NR	TJ
4	4	14

PAIRS IN MULT. ONLY SINGLE TAILS

NOTE 7

NOTE 7

TERMINALS ON FINAL SELECTOR RACK