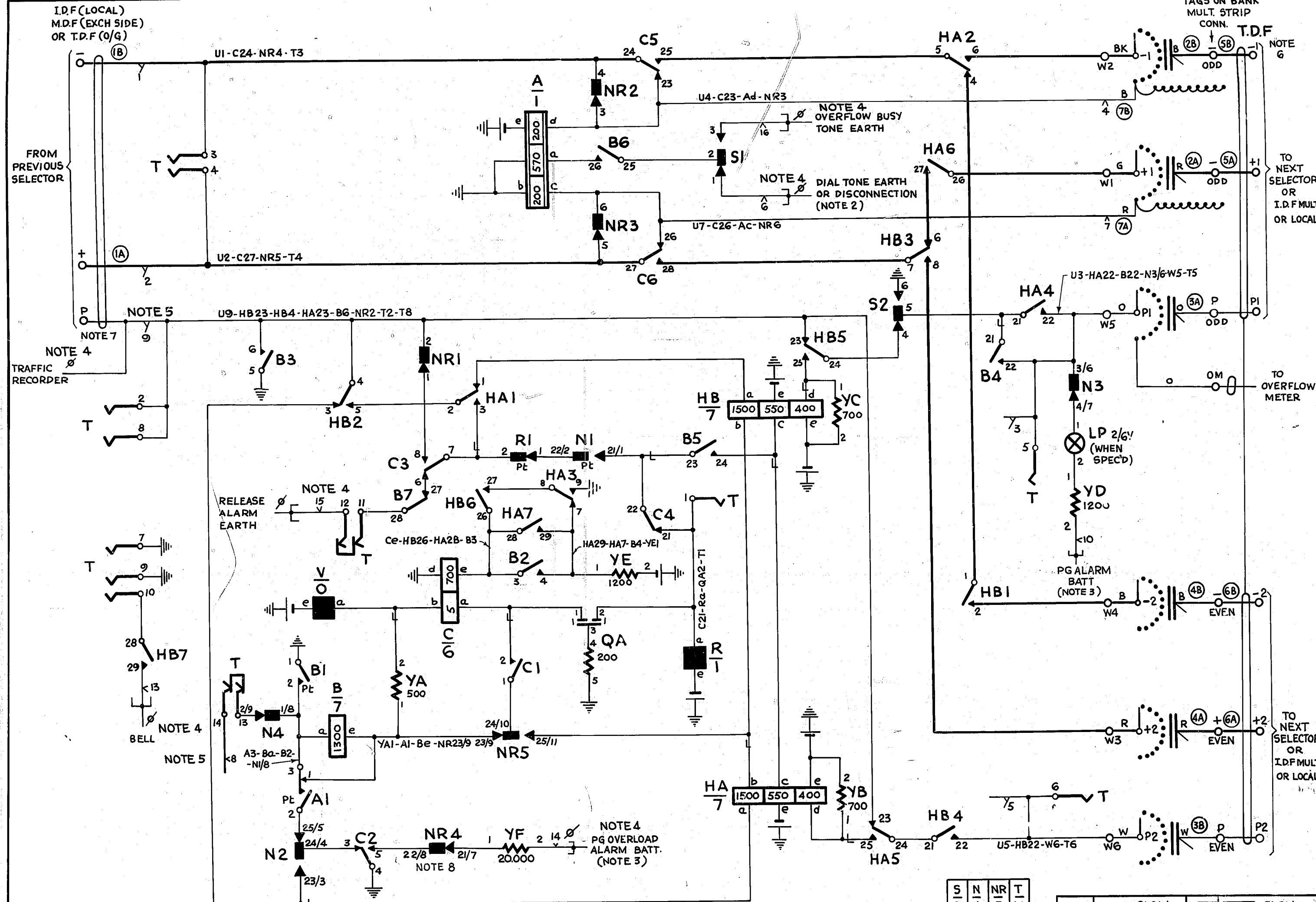


0
5 Centimetres
10
15
20
25
30



- NOTES**
- FUSING:- RC 1.5A PER CCT.
 - DIAL TONE IS ONLY PROVIDED ON SUBSCRIBERS FIRST SELECTORS IN NON-DIRECTOR AREAS
 - PG ALARM BATT PROVIDED ONLY ON I/C AND LOCAL 1ST SELRS
PG OVERLOAD ALARM BATT. PROVIDED ONLY ON LOCAL 1ST SELRS
 - Ø FOR WIRING SEE GBW 10670 OR EQUIV.
 - WHEN USED AS SUBSCRIBERS FIRST SELECTOR IN UNISELECTOR EXCHANGES STRAP U8 TO U9
 - WHEN FULL AVAILABILITY TO NEXT RANK SELRS. IS SPECIFIED OUTLETS ARE CABLED DIRECT FROM BANK MULT. STRIP CONN. TO NEXT RANK SELRS. AND NOT VIA T.D.F.

BATT. (W):- U12-HBe-YB2-YC2-Ae-
-HAe-Ve-Re-YE2

EARTH (R):- U11-Cd-C4-Ab-HA9-
-B1-B5-S6-QA5-T7-T9

7. P LEAD NOT REQUIRED WHEN
+ AND- LEADS ARE CABLED TO M.D.F

8. WHERE ALTERNATIVE MECH. SPRINGSET NOS
ARE SHOWN e.g. 22/8 THE NUMBERS BEFORE &
AFTER THE OBLIQUE STROKE APPLY TO TYPE
2 & TYPE 1 SPRINGSETS RESPECTIVELY.
NUMBERS WITHOUT ALTERNATIVES APPLY TO
BOTH TYPES OF SPRINGSET.

RETRACED	(157671)	5A	6-6-78	RED.
NOTE 3 AMENDED.	(30252)	5	17-2-72	B.S.H.
NOTE 8 & ALT. MECH. SPRINGSET NOS ADDED.	(55448)	4	3-12-65	Ym
NOTE 7 ADDED		3		
NOTE 6 AMENDED. PAIR SIGNS 6 & 7 ADDED		2		
		1		

AMENDMENT PARTICULARS		ISS	DATE	APP.
N.Z.P.O.	DRAWN B.W.H.	CHECKED	WIRING	CIRCUIT

200 OUTLET GROUP SELECTOR 2000 TYPE			
REF GEC. DRG. 58600	SIZE S	50V	E
GBW 10760			