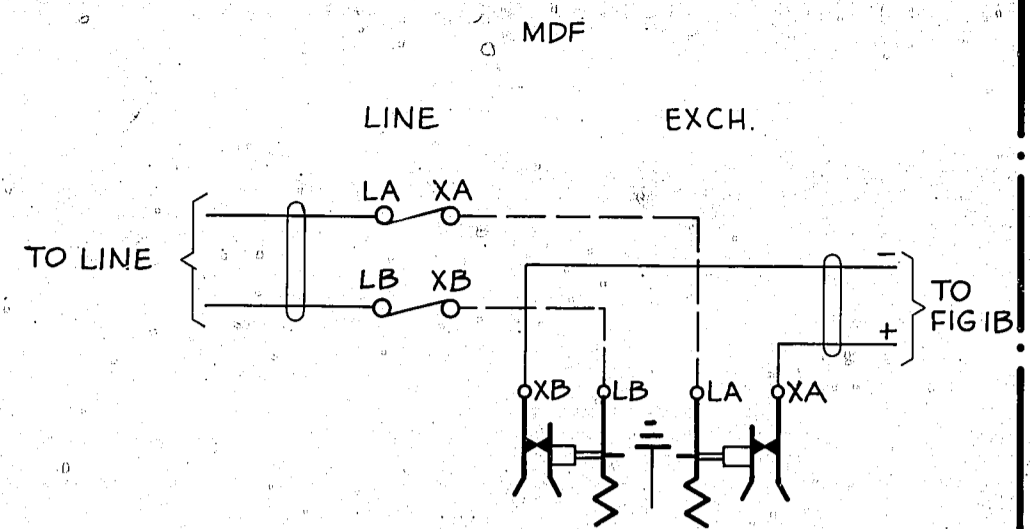
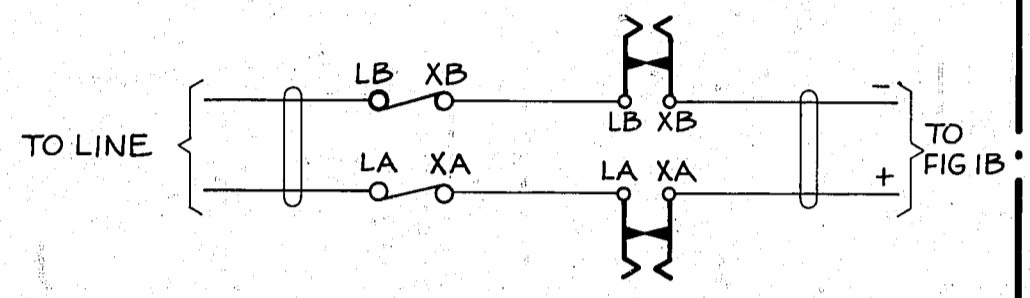


**FIG. 1A**  
NOTE 5



**FIG. 1C**  
NOTE 5

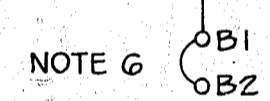


PART OF FIG 1A MDF BUSYING STRIP P.B.X. LINES ONLY NOTE 5.

FINAL SELECTOR MULTIPLE

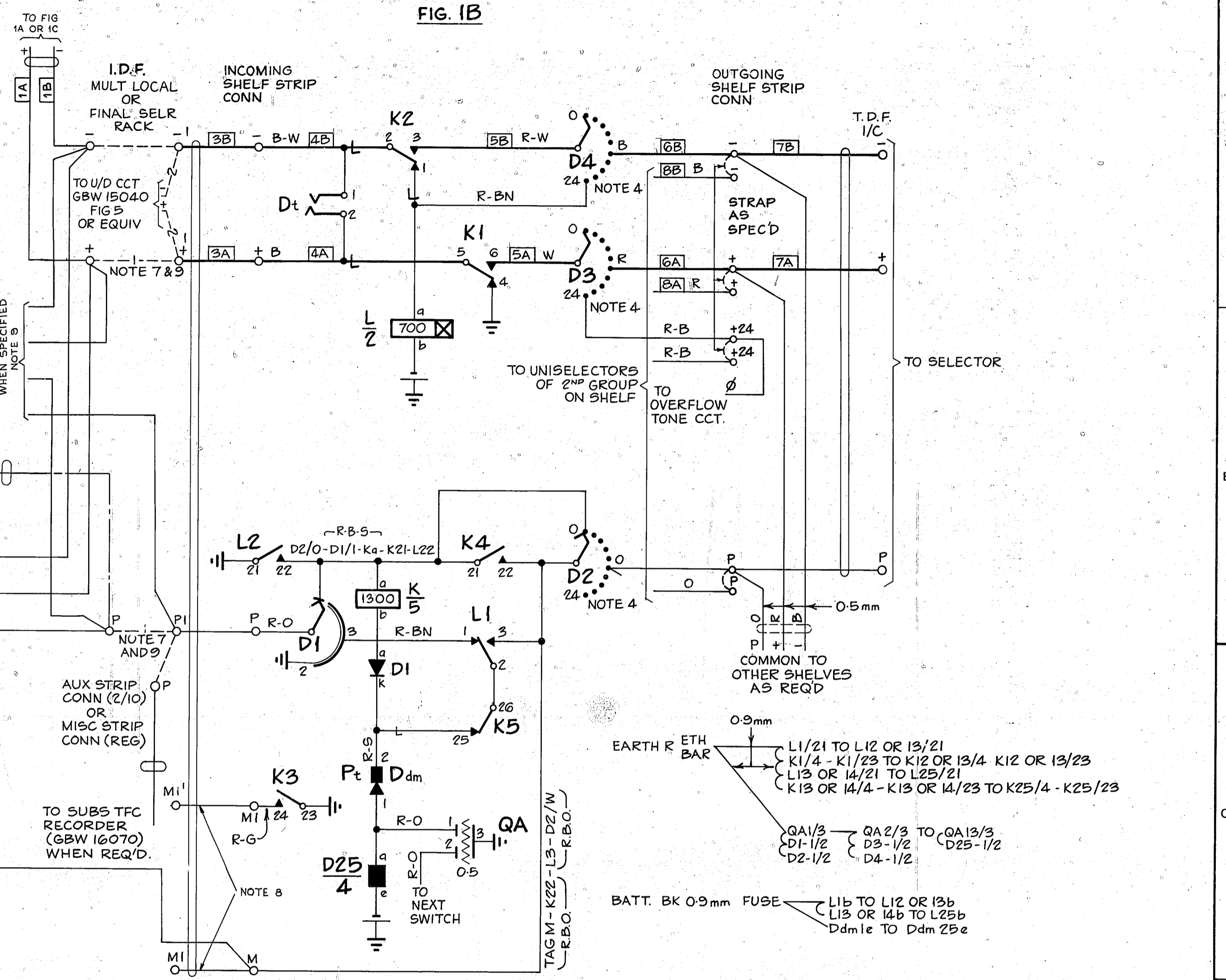
**FIG. 1D** P.B.X. BUSYING F/S RACK 1 PER P.B.X. LINE  
NOTE 5

EARTH ETH BAR R. 0.7mm TAG B1 ETC.



IZA-ANI

**FIG. 1B**



EARTH ETH BAR 0.9mm  
 L1/21 TO L12 OR 13/21  
 K1/4 - K1/23 TO K12 OR 13/4 K12 OR 13/23  
 L13 OR 14/21 TO L25/21  
 K13 OR 14/4 - K13 OR 14/23 TO K25/4 - K25/23

QA1/3 QA2/3 TO QA13/3  
 D1-1/2 D3-1/2 D25-1/2  
 D2-1/2 D4-1/2

BATT. BK 0.9mm FUSE  
 L1b TO L12 OR 13b  
 L13 OR 14b TO L25b  
 Ddm1e TO Ddm 25e

**NOTES.**

1. FUSE 1 AMP. PER 25 CCTS.
2. Ø FOR WIRING SEE ASSOCIATED COMMON SERVICES DIAGRAM
3. ALL WIRING TO BE 0.6mm UNLESS OTHERWISE SPECIFIED. LOCAL PLATE WIRING TO BE 0.6mm OR 0.5mm BANK WIRING 0.5mm (MULT & TAILS).
4. D2, D3 & D4 OUTLETS 1-23 ARE MULTIPLIED OVER ALL UNISELECTORS IN EACH GROUP OF 25 ON OUTLET 24, D3 ONLY IS MULTIPLIED.
5. AT EXCHANGES WITH FLOOR TYPE M.D.F. USE FIG. 1A. AT EXCHANGES WITH RACK TYPE M.D.F. OR WITH FLOOR TYPE M.D.F. FITTED WITH TEST JACKS N° 32A USE FIGS 1C & 1D.
6. FOR PBX BUSYING TRANSFER LINK FROM B1-B2 TO B1-P.
7. WHEN USED FOR UNIDIRECTIONAL LINES (TRAFFIC TO EXCH.) DELETE JUMPERS SHOWN --- AND PROVIDE THOSE SHOWN ---2---
8. THESE LEADS ARE NOT CABLED AT SOME EXCHANGES.
9. WHEN NEC LLE IS USED REMOVE - & + TO FIGS 1A OR 1C. ALSO REMOVE STRAP P-PI.

SLOW RELEASE  SLOW OPERATE

**SUBSCRIBERS LINE CIRCUIT**

ISS	DATE	DEL	DC	ORDER	CKP	APD	CHANGE
DRN	AGO	CKD	ORIGIN				
TCD	AGO	APPD	STANDARD				
NZPO ENGINEER-IN-CHIEF, WELLINGTON							
SHT 1 OF 1		SIZE A3		CRW 10751 MOD A			

UD 236

