

FIG. 1B DIAL & TEST JACK CCT.

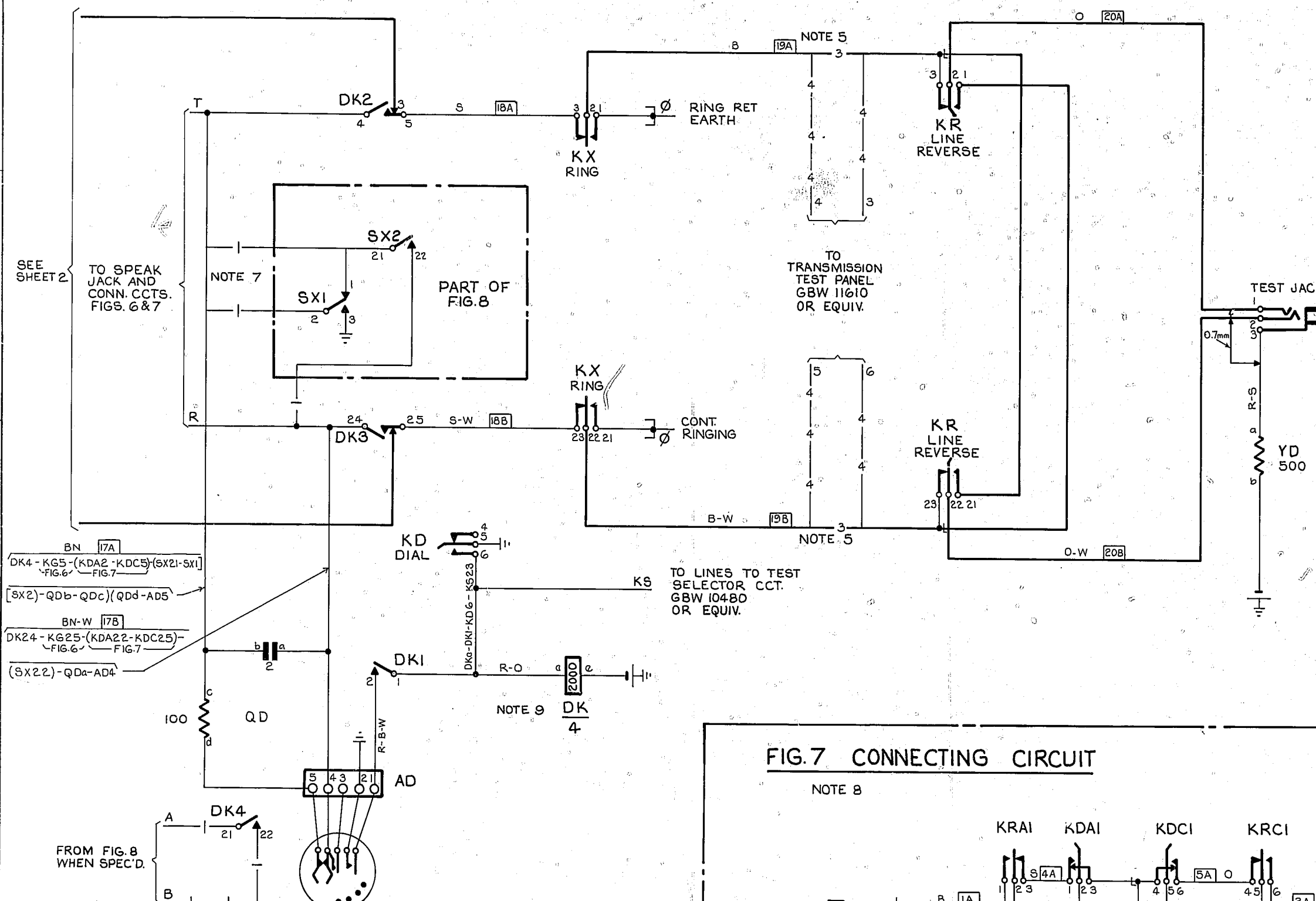


FIG. 8 RURAL LINE TEST CIRCUIT NOTE 7

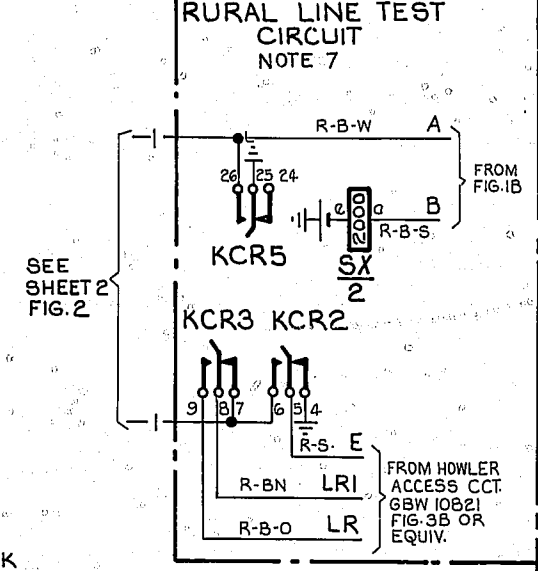


FIG. 5 FAULT SUPERVISORY CCT.

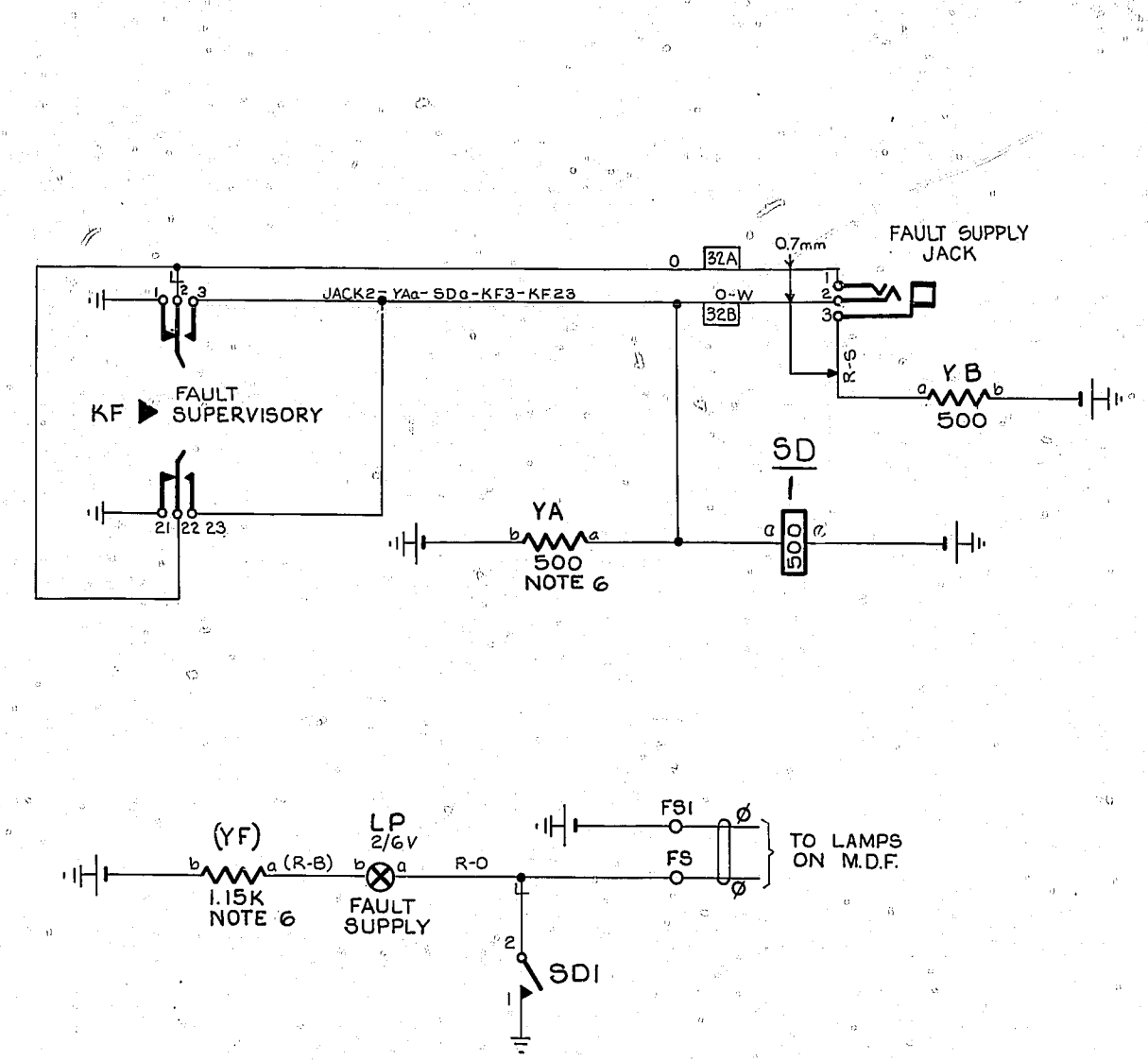


FIG. 7 CONNECTING CIRCUIT

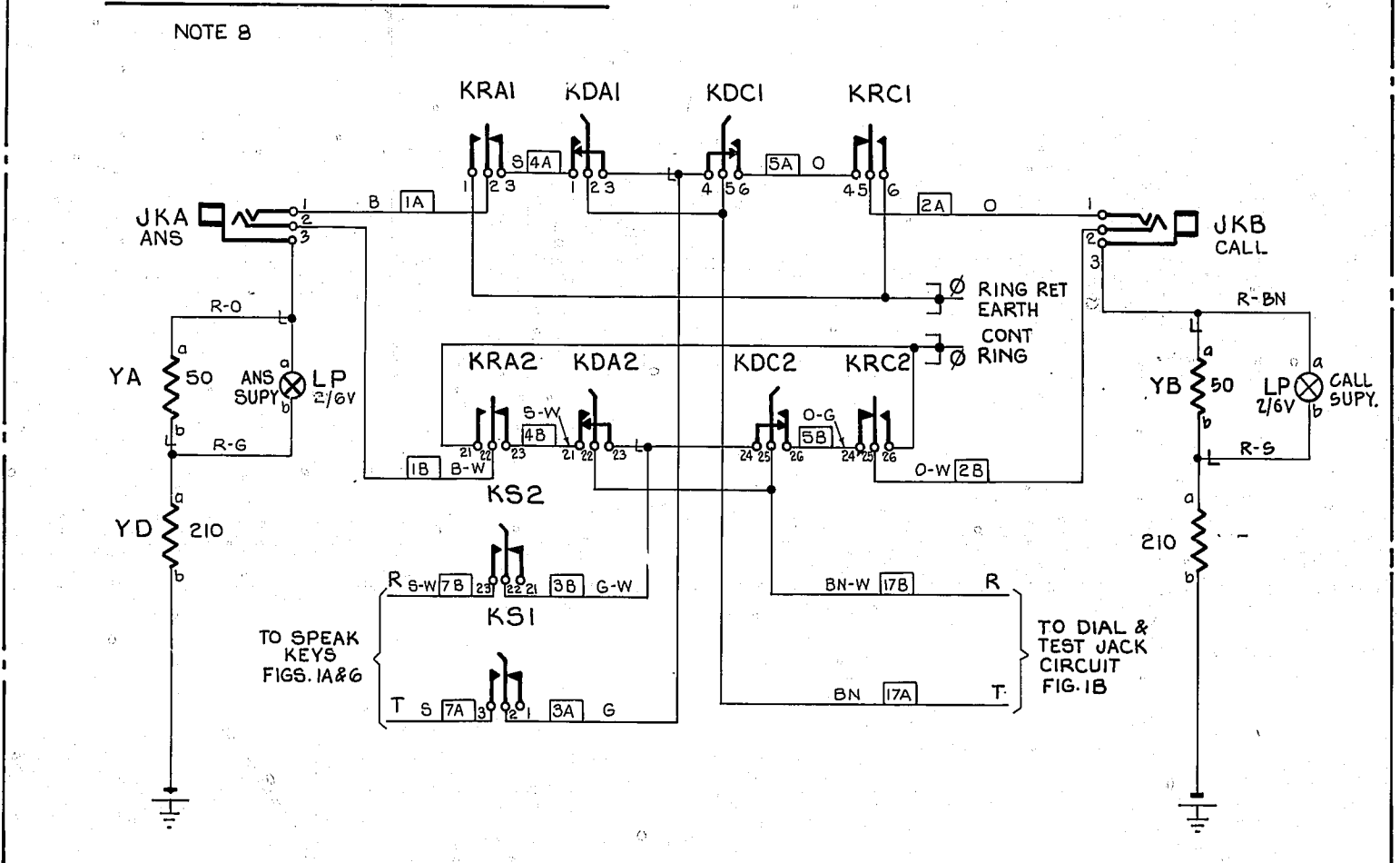
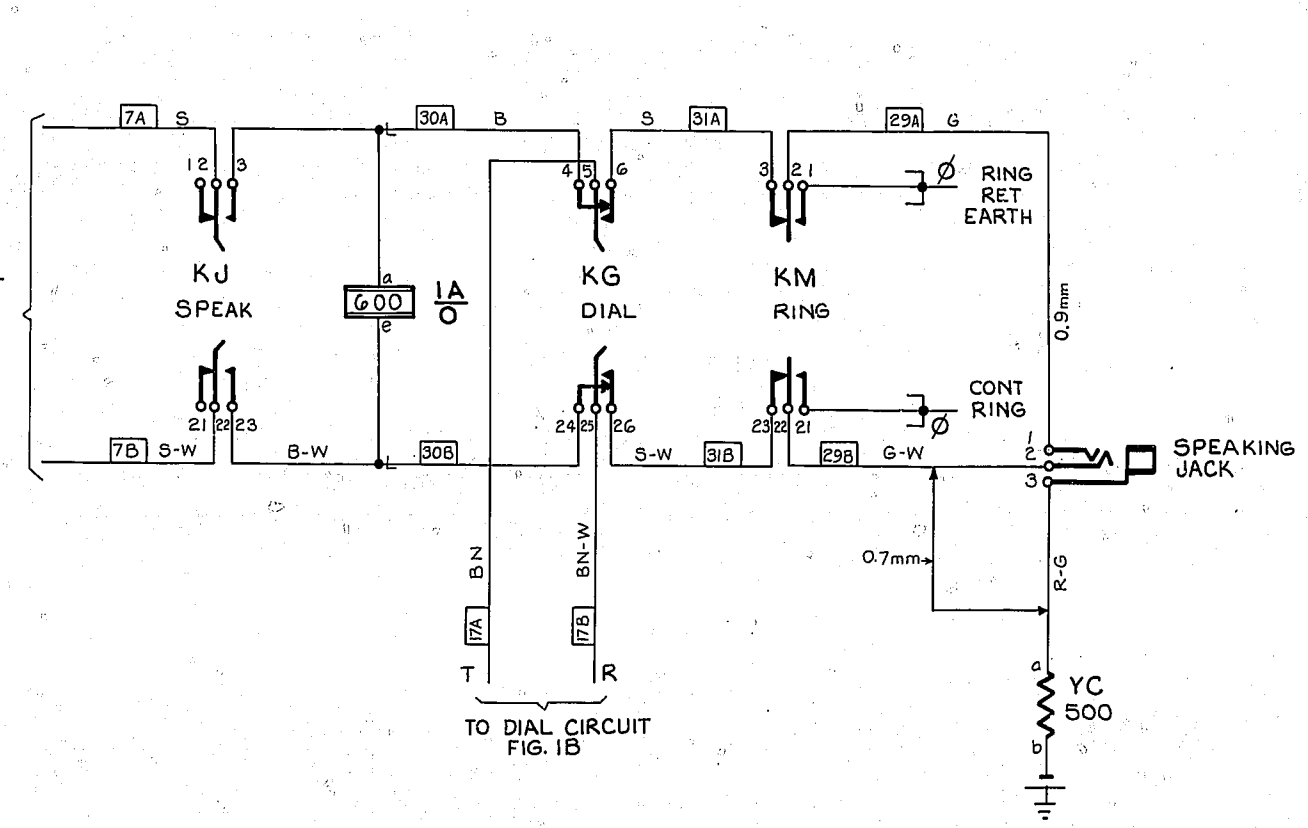
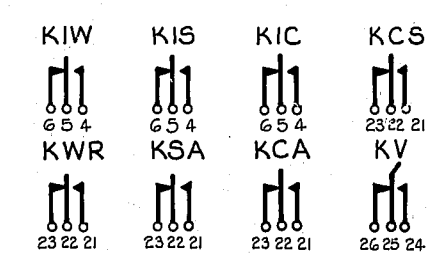
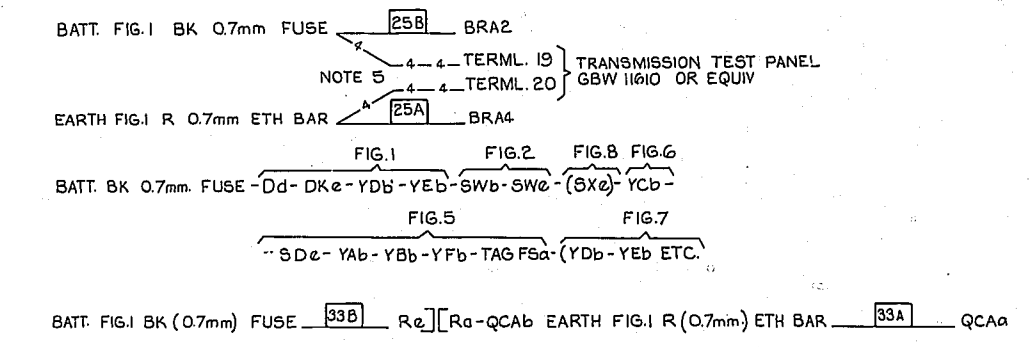


FIG. 6 SPEAKING JACK CCT.



- NOTES:
1. FUSING: 1.5A PER TEST JACK, SPEAK JACK & FAULT SUPERVISORY & CONN. CCT. 1.5A PER TELEPHONE & BATTERY FEED CIRCUIT.
 2. ALL WIRING TO BE 0.5mm UNLESS OTHERWISE SPECIFIED.
 3. Ø FOR WIRING SEE RELEVANT COMMON SERVICE DIAGRAM.
 4. WHEN TRANSMISSION TEST PANEL IS FITTED DELETE CONNECTIONS SHOWN — 3 — 3 — AND ADD CONNECTIONS SHOWN — 4 — 4 — THIS TEST PANEL IS NOT TO BE PROVIDED FOR NEW WORK.
 5. ON SOME EARLY EQUIPMENT YE & YF WERE 1200 OHMS & YA WAS 210 OHMS
 6. WHEN RURAL LINE TEST FACILITIES ARE SPECIFIED PROVIDE FIG. 8 AND CONNECTIONS SHOWN — 1 — 1 — & OMIT CONNECTIONS SHOWN — 2 — 2 —
 7. FIG. 7 IS REQ'D ONLY WHEN HOSPITAL CIRCUITS TO GBW164-30 ARE EQUIPPED.
 8. AT SOME EARLY EXCHANGES WITHOUT RURAL LINE TEST FACILITIES CONTACT DK4 WAS NOT PROVIDED IN WHICH CASE CONTACT DK3 SPRING NOS. ARE 21, 22, 23.



DIAL ANS (KDA)	DIAL CALL (KDC)	SPEAK (KS)	RING ANS (KRA)	RING CALL (KRC)
2	2	2	2	2
CALL RURAL PARTY (KCR)	TEST BATT C/O & REC NEG (KN) EARTHING (KE)	SUBS BATT & HOLD C/O (KCO)	LINE REV. (KR)	
6	2	2	4	2
SPEAK (KW) BY SCALE (KL)	RING (KX) DIAL (KD) HOWLER (KH) BATT. FEED (KB) VOLTMETER (KV) V METER REV (KVR)			
2	2	2	4	4
SPEAK (KW) RING (KM) DIAL (KG)	WEIGHT RESET (KWR) SPEED ADJUST (KSA) COUNT ADJUST (KCA) X' PARTY (KP) CALL SHARED SERVICE (KCS)			
2	2	2	2	2
TRANS CUT-OFF (KZ) V METER SHUNT (KS)	IMPULSE WEIGHT KIW	IMPULSE SPEED KIS	IMPULSE COUNT KIC	FAULT SUPY (KF)
4	4	4	4	2

PROOF

ISS DATE	DEL	DC	ORDER	CKD	APPD	CHANGE	ISS DATE	DEL	DC	ORDER	CKD	APPD	CHANGE
10/11/24						48546							

DRN S. S. SECT	CKD	ORIGIN S.S. SECT.
TCD A.G	APPD	STANDARD ATW 22001
NZ PO ENGINEER-IN-CHIEF, WELLINGTON		
SHT 1 of 2	A1	GBW 10590

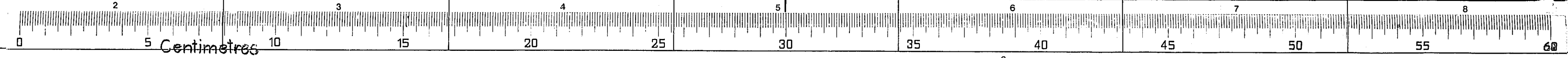
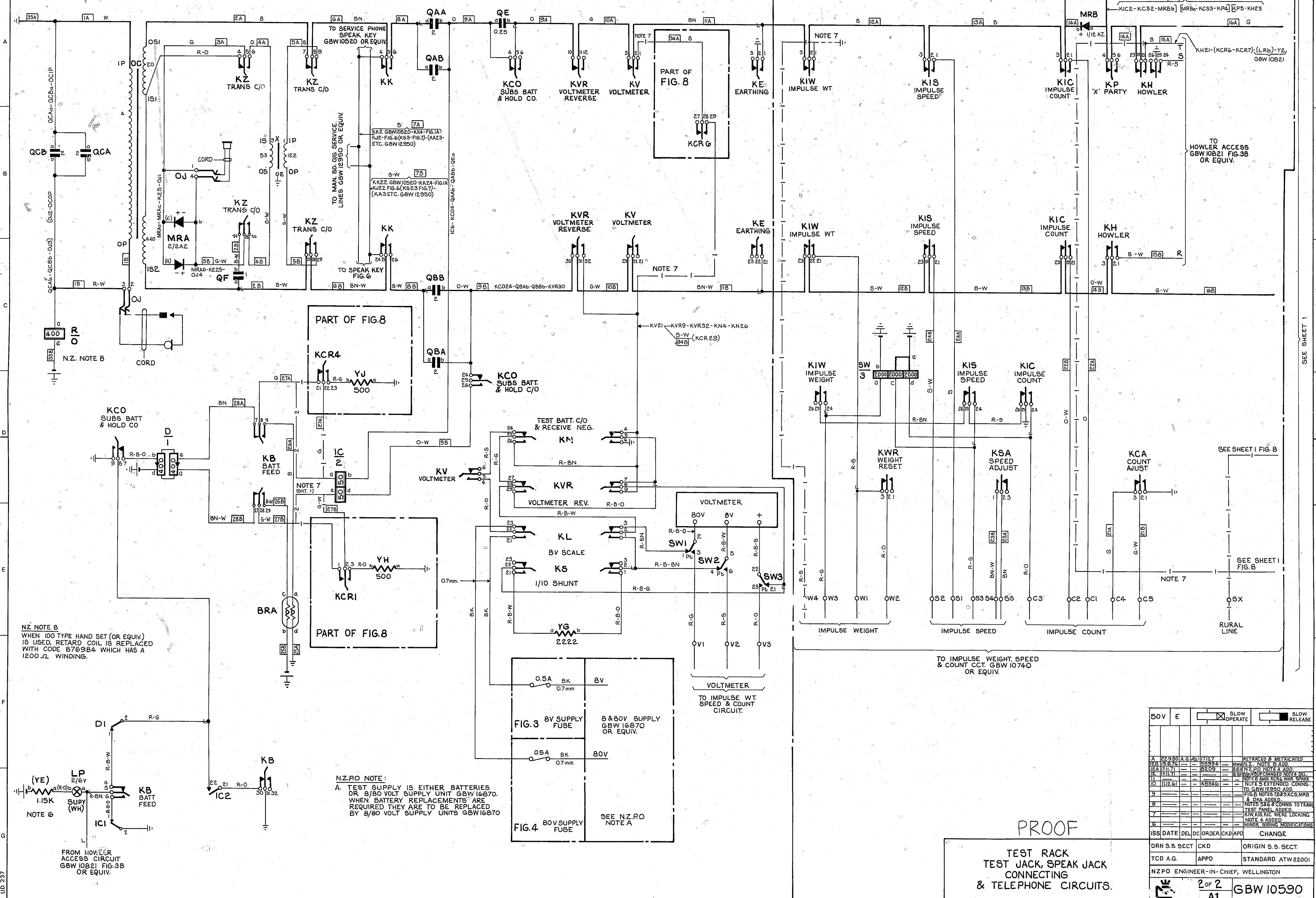


FIG.1A TEST CIRCUIT

FIG.2 HOWLER & DIAL TEST



NZ NOTE B
WHEN 100 TYPE HAND SET (OR EQUIV.) IS USED, RETARD COIL IS REPLACED WITH CODE B709B4 WHICH HAS A 1200 Ω WINDING.

NZ PO NOTE:
A. TEST SUPPLY IS EITHER BATTERIES OR 8/80 VOLT SUPPLY UNIT GBW16870. WHEN BATTERY REPLACEMENTS ARE REQUIRED THEY ARE TO BE REPLACED BY 8/80 VOLT SUPPLY UNITS GBW16870

50V	E	<input type="checkbox"/> SLOW OPERATE	<input type="checkbox"/> SLOW RELEASE
A	22.5	0.1	0.1
B	15.3	0.1	0.1
C	17.1	0.1	0.1
D	17.1	0.1	0.1
E	17.1	0.1	0.1
F	17.1	0.1	0.1
G	17.1	0.1	0.1
H	17.1	0.1	0.1
I	17.1	0.1	0.1
J	17.1	0.1	0.1
K	17.1	0.1	0.1
L	17.1	0.1	0.1
M	17.1	0.1	0.1
N	17.1	0.1	0.1
O	17.1	0.1	0.1
P	17.1	0.1	0.1
Q	17.1	0.1	0.1
R	17.1	0.1	0.1
S	17.1	0.1	0.1
T	17.1	0.1	0.1
U	17.1	0.1	0.1
V	17.1	0.1	0.1
W	17.1	0.1	0.1
X	17.1	0.1	0.1
Y	17.1	0.1	0.1
Z	17.1	0.1	0.1

PROOF
TEST RACK
TEST JACK, SPEAK JACK
& TELEPHONE CIRCUITS.

DRN S.S. SECT CKD ORIGIN S.S. SECT.
TCD A.G. APPD STANDARD ATW 22001
NZ PO ENGINEER-IN-CHIEF, WELLINGTON
2 of 2
A1 GBW 10590

