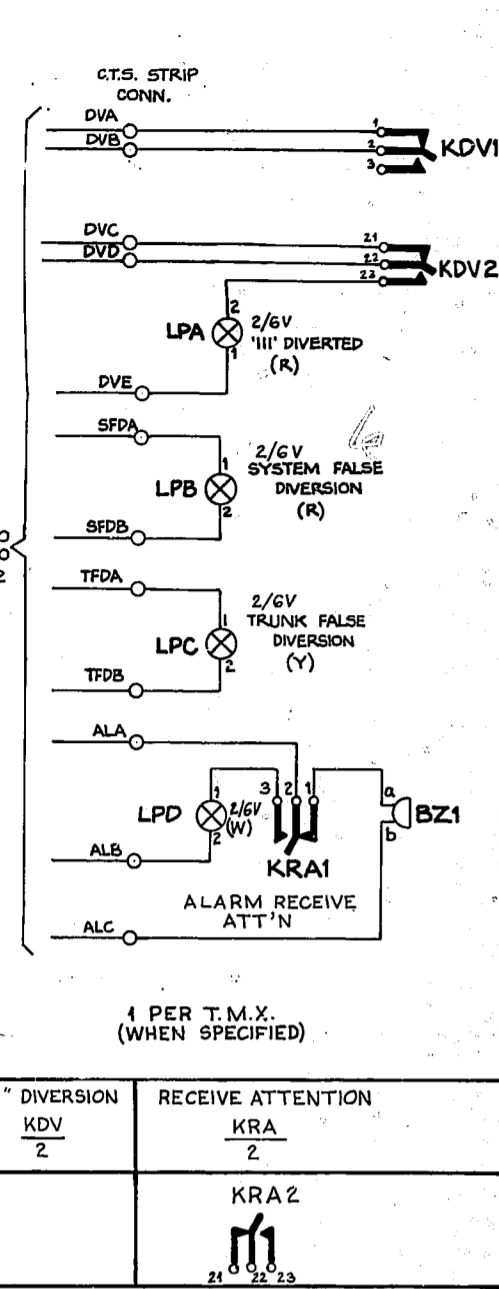


FIG. 8
C.T.S.
"H" DIVERSION ANNOUNCEMENT MACHINE ALARMS



"H" DIVERSION KDV 2	RECEIVE ATTENTION KRA 2
	KRA2 21 22 23

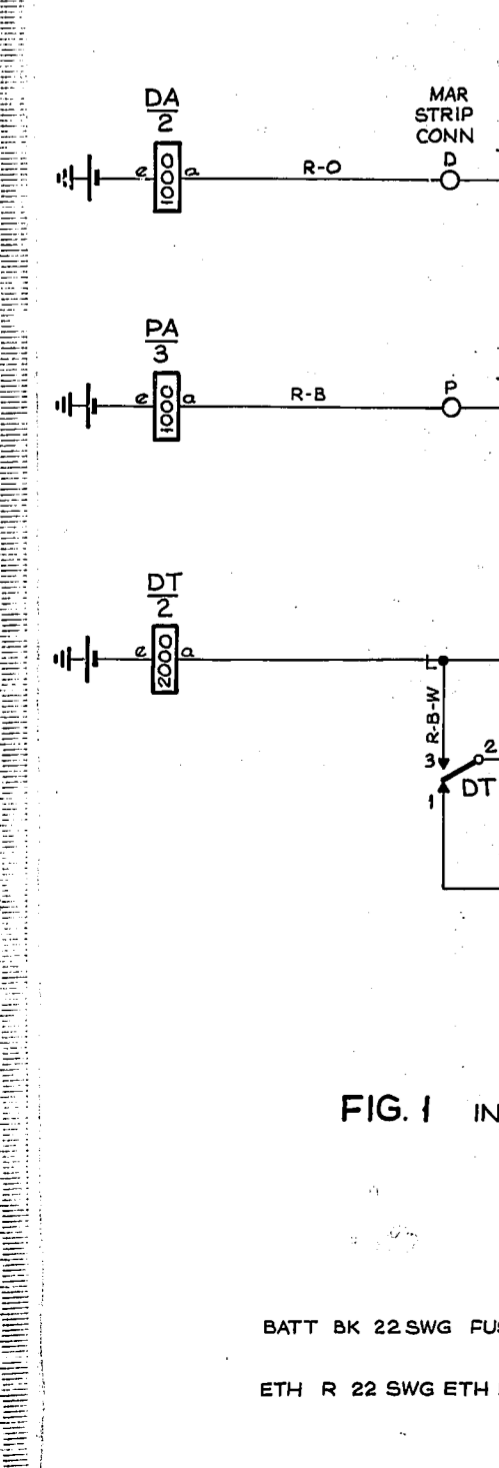


FIG. 1 INCOMING ALARM RELAYS.
M.A.R.
NOTES 2 & 3

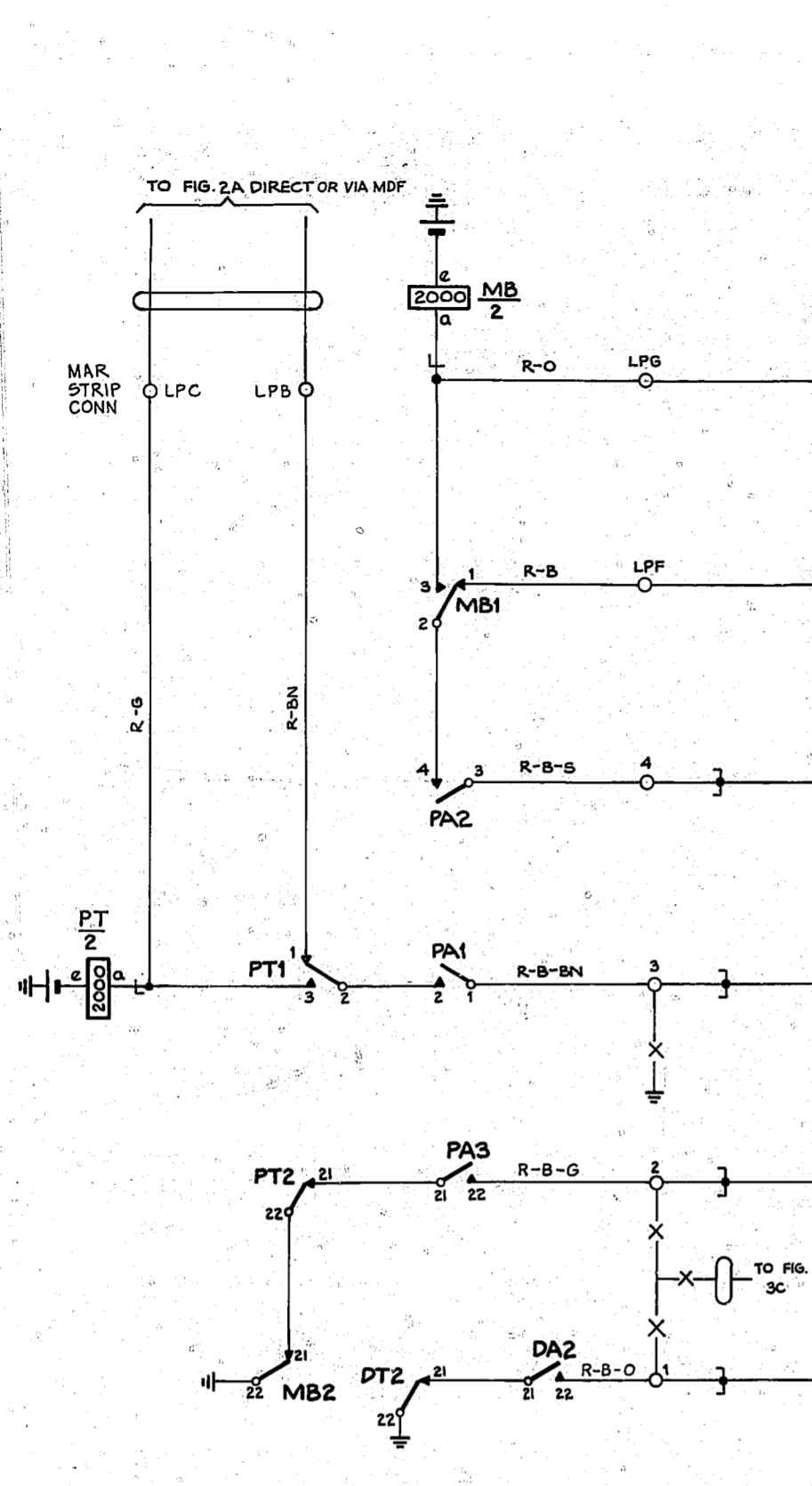


FIG. 4
ALARM EXTENSION RELAYS
A.E.R. PER EXCHANGE
NOTES 2 & 4

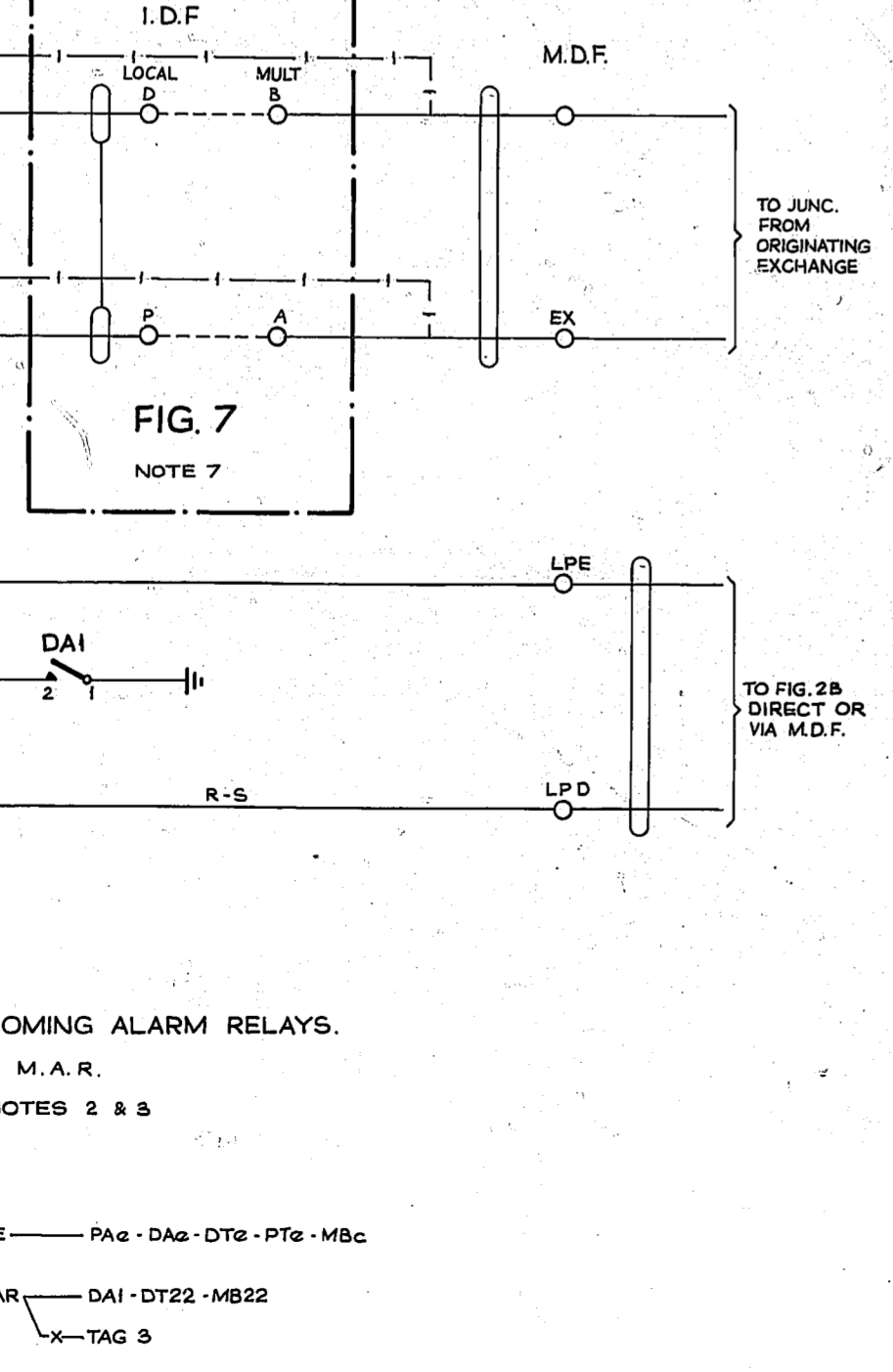


FIG. 7
NOTE 7

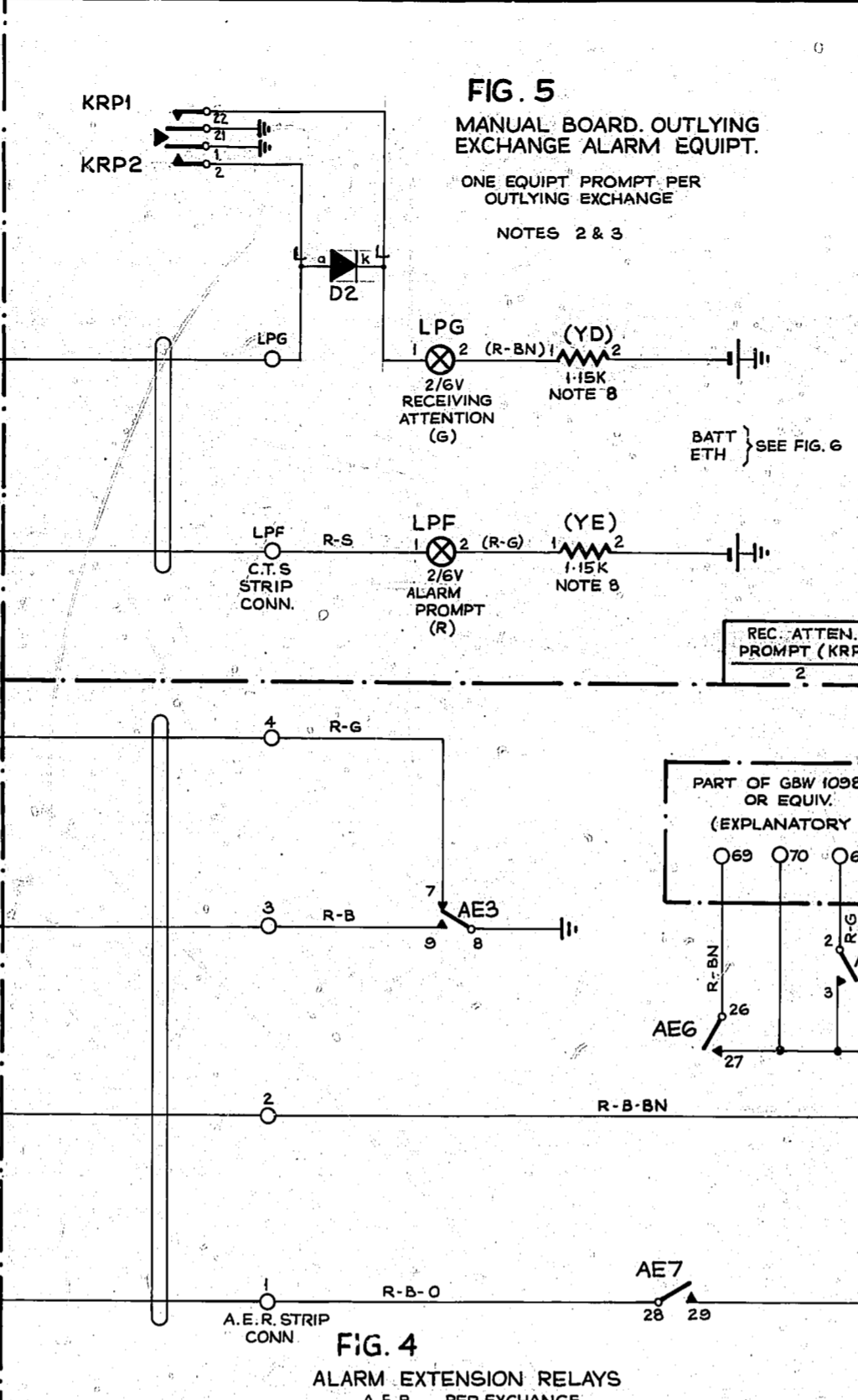


FIG. 5
MANUAL BOARD OUTLYING EXCHANGE ALARM EQUIPT.
ONE EQUIPT PROMPT PER OUTLYING EXCHANGE
NOTES 2 & 3

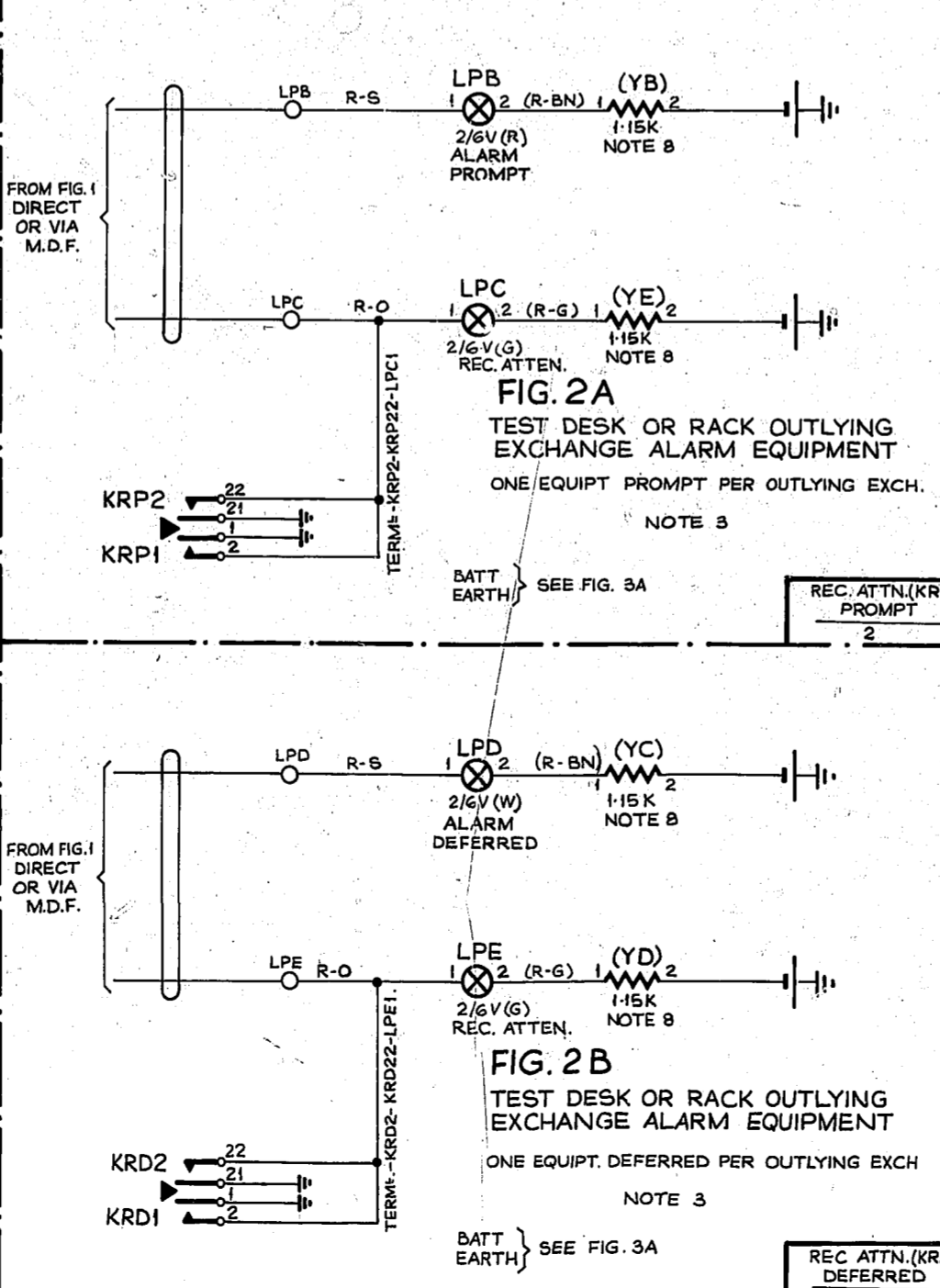


FIG. 2A
TEST DESK OR RACK OUTLYING EXCHANGE ALARM EQUIPMENT
ONE EQUIPT PROMPT PER OUTLYING EXCH.
NOTE 3

FIG. 2B
TEST DESK OR RACK OUTLYING EXCHANGE ALARM EQUIPMENT
ONE EQUIPT. DEFERRED PER OUTLYING EXCH
NOTE 3

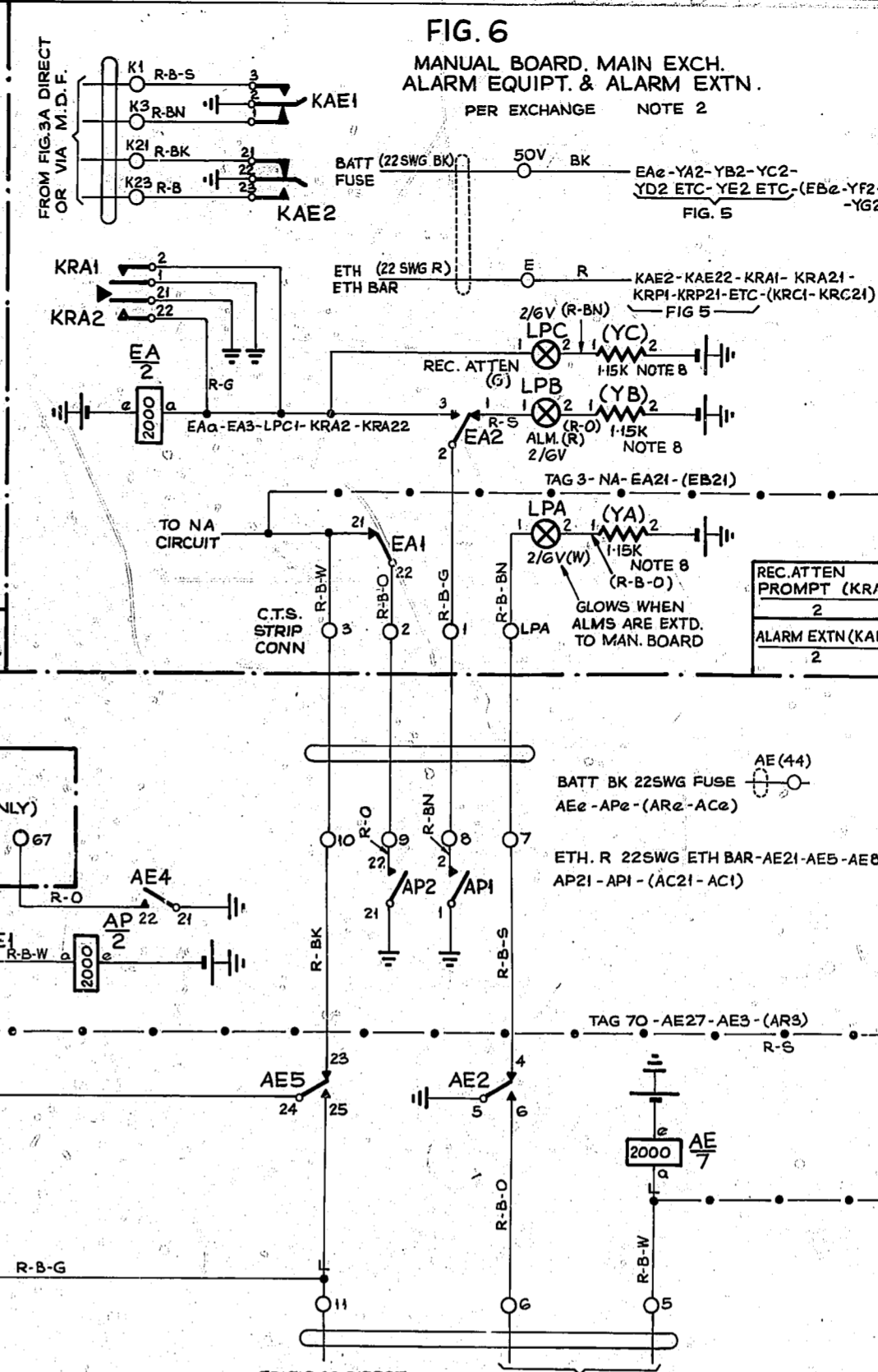


FIG. 6
MANUAL BOARD MAIN EXCH. ALARM EQUIPT. & ALARM EXTN.
PER EXCHANGE NOTE 2

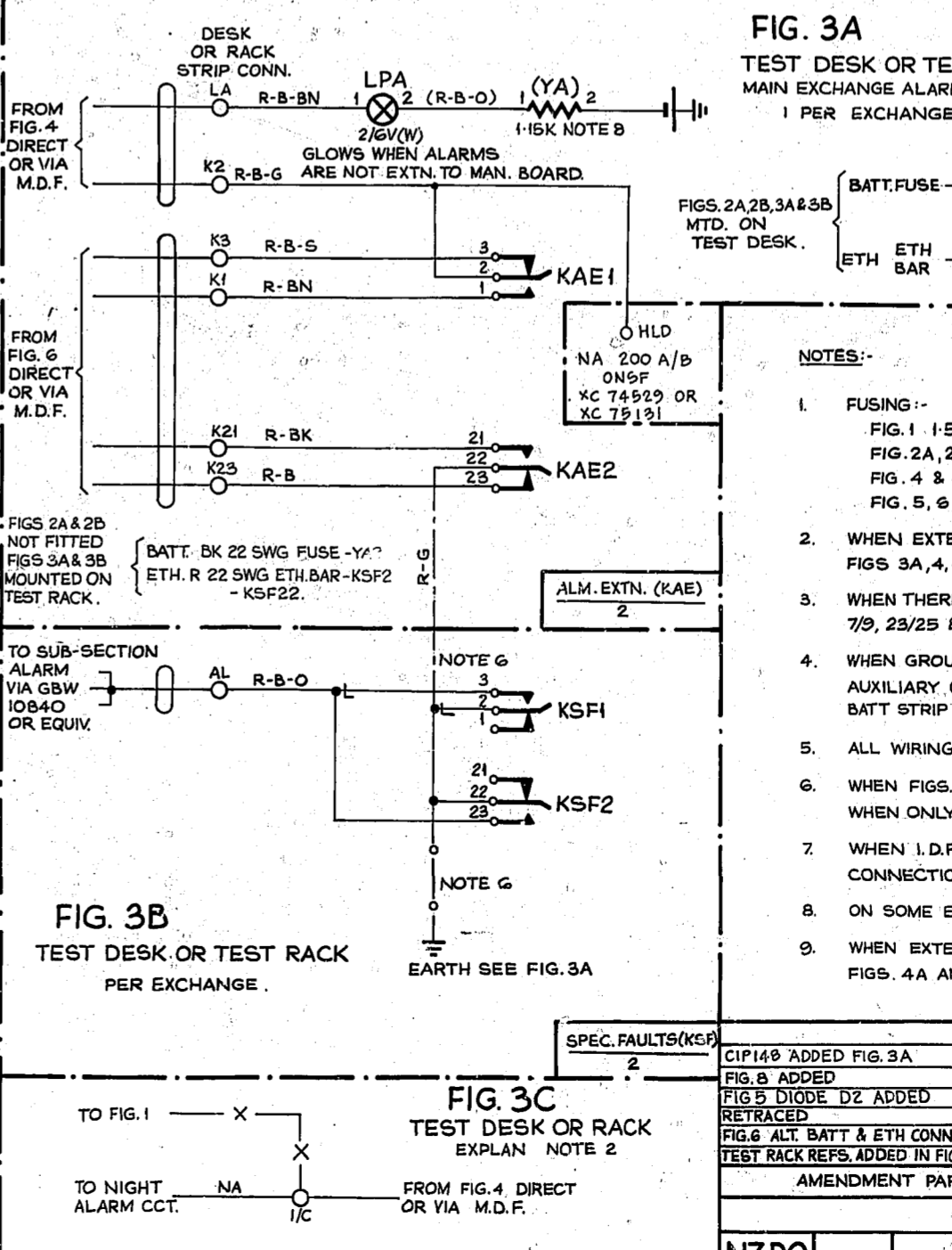


FIG. 3A
TEST DESK OR TEST RACK MAIN EXCHANGE ALARM EQPT. & ALARM EXTENSION
1 PER EXCHANGE NOTE 2

FIG. 3B
TEST DESK OR TEST RACK PER EXCHANGE

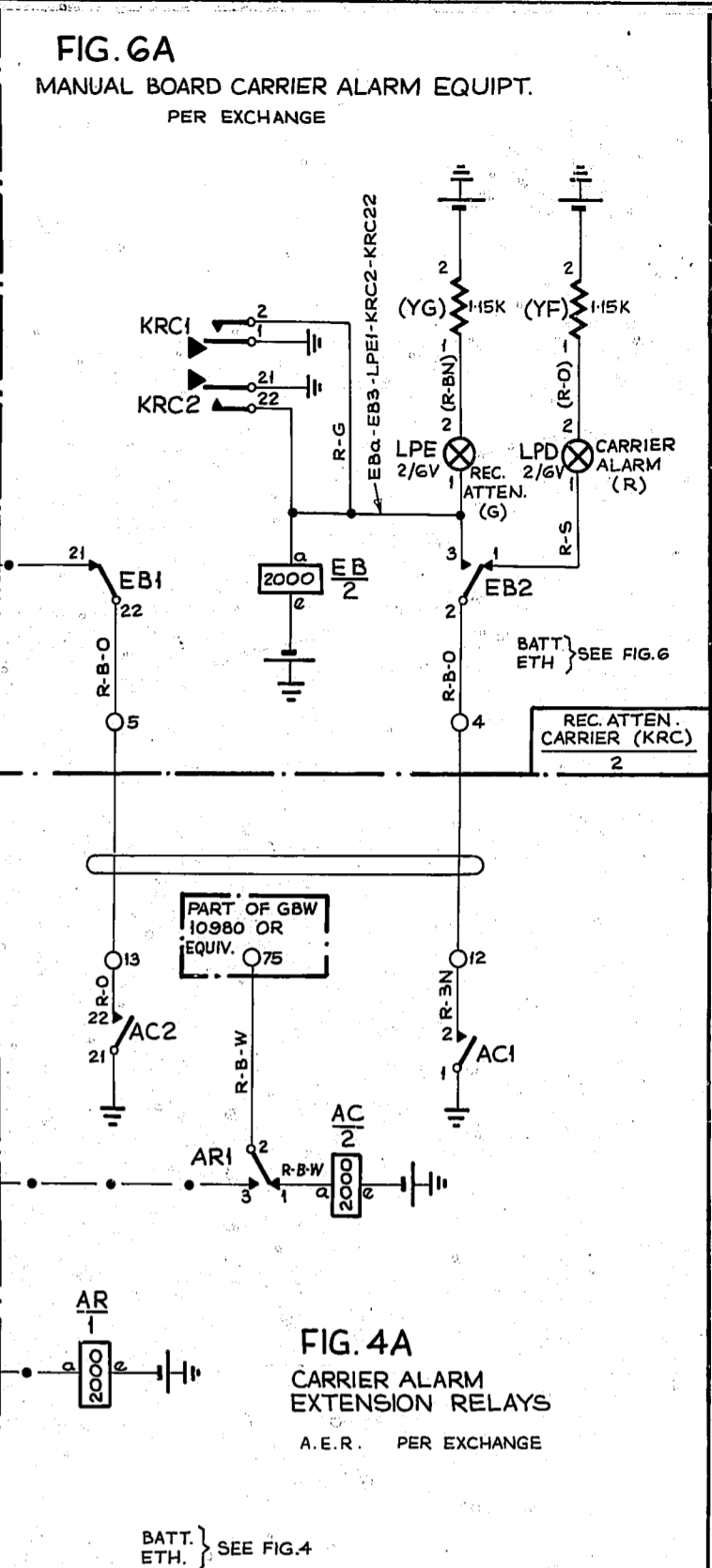


FIG. 6A
MANUAL BOARD CARRIER ALARM EQUIPT.
PER EXCHANGE

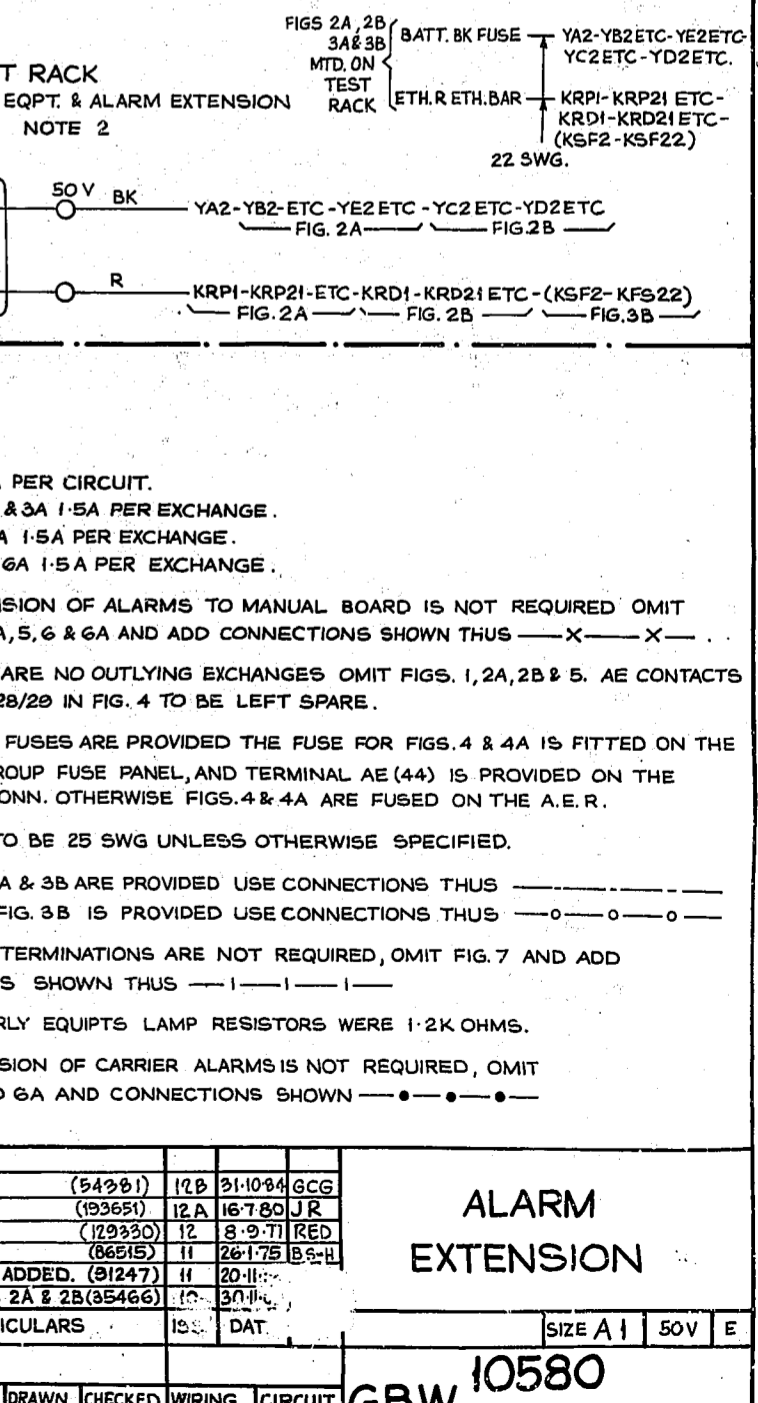


FIG. 4A
CARRIER ALARM EXTENSION RELAYS
A.E.R. PER EXCHANGE

- NOTES:-**
- FUSING:-
FIG. 1 1.5A PER CIRCUIT.
FIG. 2A, 2B & 3A 1.5A PER EXCHANGE.
FIG. 4 & 4A 1.5A PER EXCHANGE.
FIG. 5, 6 & 6A 1.5A PER EXCHANGE.
 - WHEN EXTENSION OF ALARMS TO MANUAL BOARD IS NOT REQUIRED OMIT FIGS 3A, 4, 4A, 5, 6 & 6A AND ADD CONNECTIONS SHOWN THUS — X —
 - WHEN THERE ARE NO OUTLYING EXCHANGES OMIT FIGS. 1, 2A, 2B & 5. AE CONTACTS 7/9, 23/25 & 28/29 IN FIG. 4 TO BE LEFT SPARE.
 - WHEN GROUP FUSES ARE PROVIDED THE FUSE FOR FIGS. 4 & 4A IS FITTED ON THE AUXILIARY GROUP FUSE PANEL, AND TERMINAL AE (44) IS PROVIDED ON THE BATT STRIP CONN. OTHERWISE FIGS. 4 & 4A ARE FUSED ON THE A.E.R.
 - ALL WIRING TO BE 25 SWG UNLESS OTHERWISE SPECIFIED.
 - WHEN FIGS. 3A & 3B ARE PROVIDED USE CONNECTIONS THUS — — — — —
WHEN ONLY FIG. 3B IS PROVIDED USE CONNECTIONS THUS — — — — —
 - WHEN I.D.F. TERMINATIONS ARE NOT REQUIRED, OMIT FIG. 7 AND ADD CONNECTIONS SHOWN THUS — — — — —
 - ON SOME EARLY EQUIPTS LAMP RESISTORS WERE 1.2K OHMS.
 - WHEN EXTENSION OF CARRIER ALARMS IS NOT REQUIRED, OMIT FIGS. 4A AND 6A AND CONNECTIONS SHOWN — — — — —

CIP140 ADDED FIG. 3A	(54201)	12B	31-10-84	GCC
FIG. 6 ADDED	(193651)	12A	16-7-80	JR
FIG. 5 DIODE D2 ADDED	(179390)	12	8-9-71	RED
RETRACED	(06515)	11	28-1-75	BS-LL
FIG. 6 ALT. BATT & ETH CONNS. ADDED. (31247) II	(31247)	11	28-1-75	BS-LL
TEST RACK REFS. ADDED IN FIGS. 2A & 2B (85466)	(85466)	11	30-1-75	BS-LL

AMENDMENT PARTICULARS		IS.	DAT.
ALARM EXTENSION			
SIZE A1		50V	E