

FIG. 1. M.A.R.

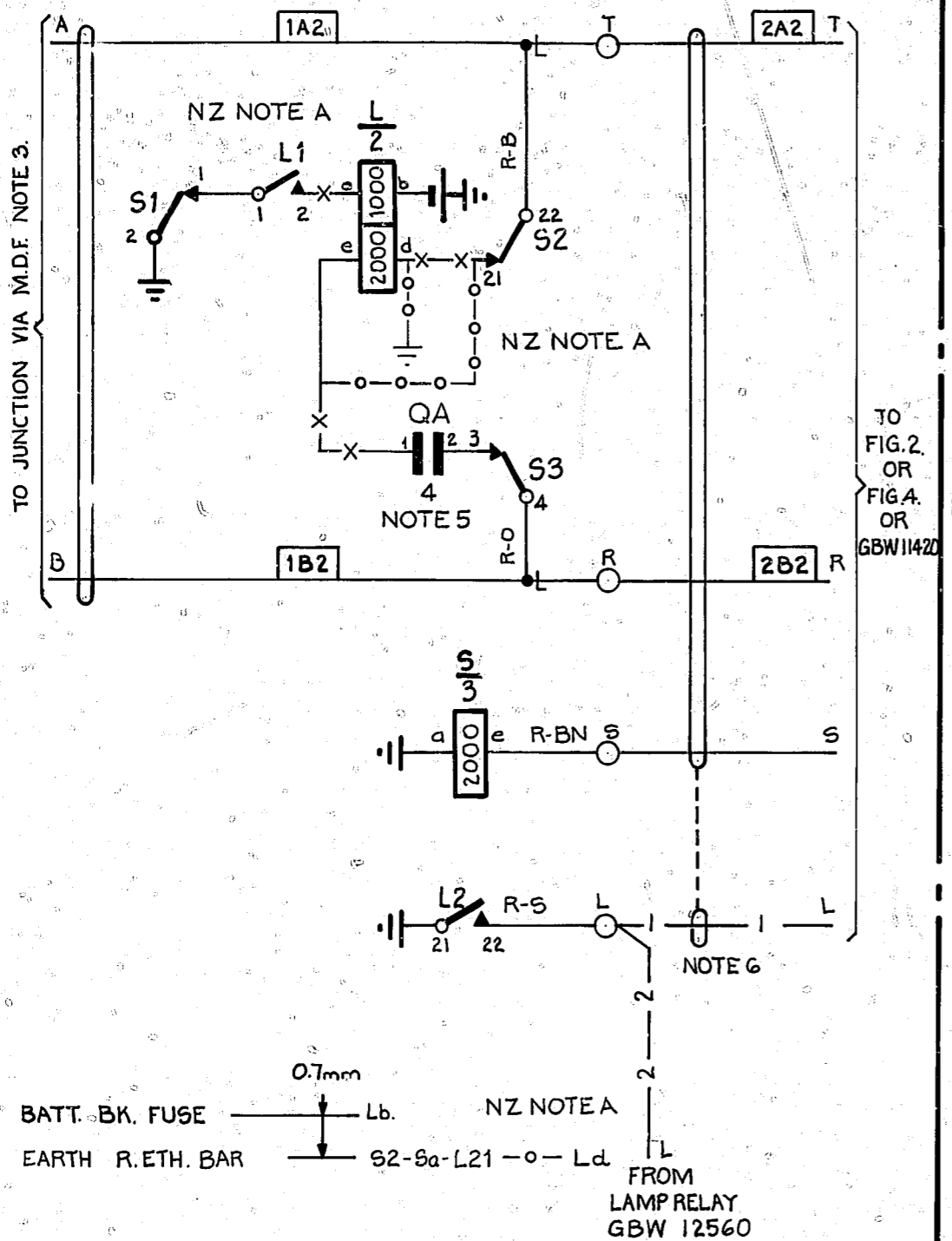


FIG. 4. I.D.F.

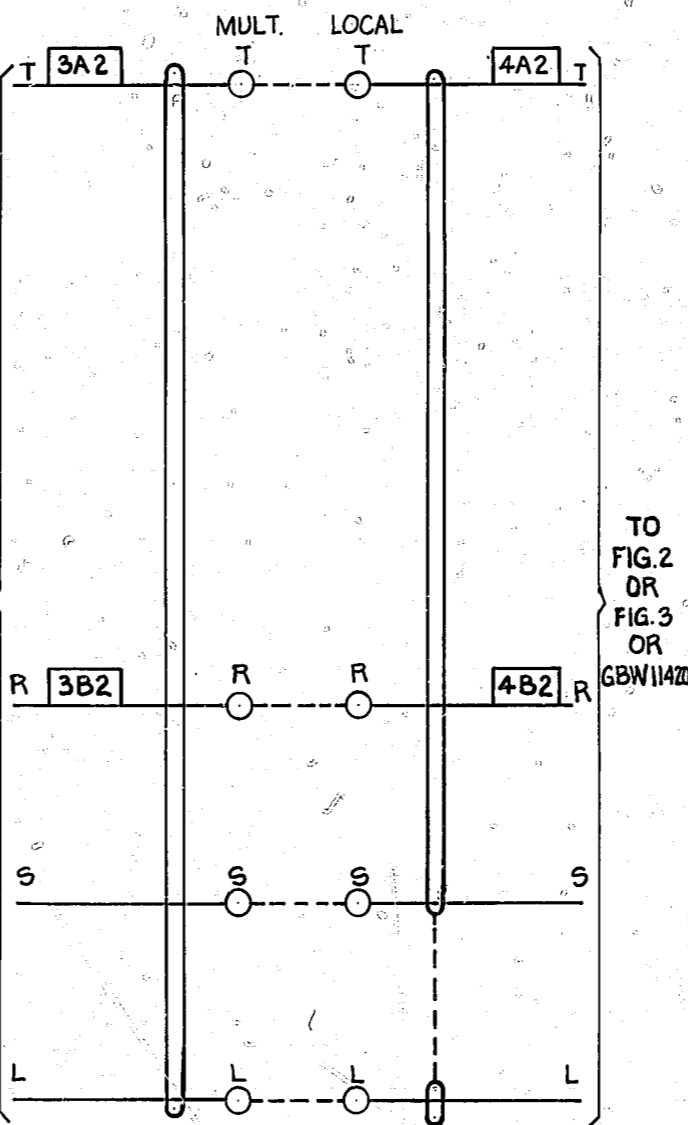
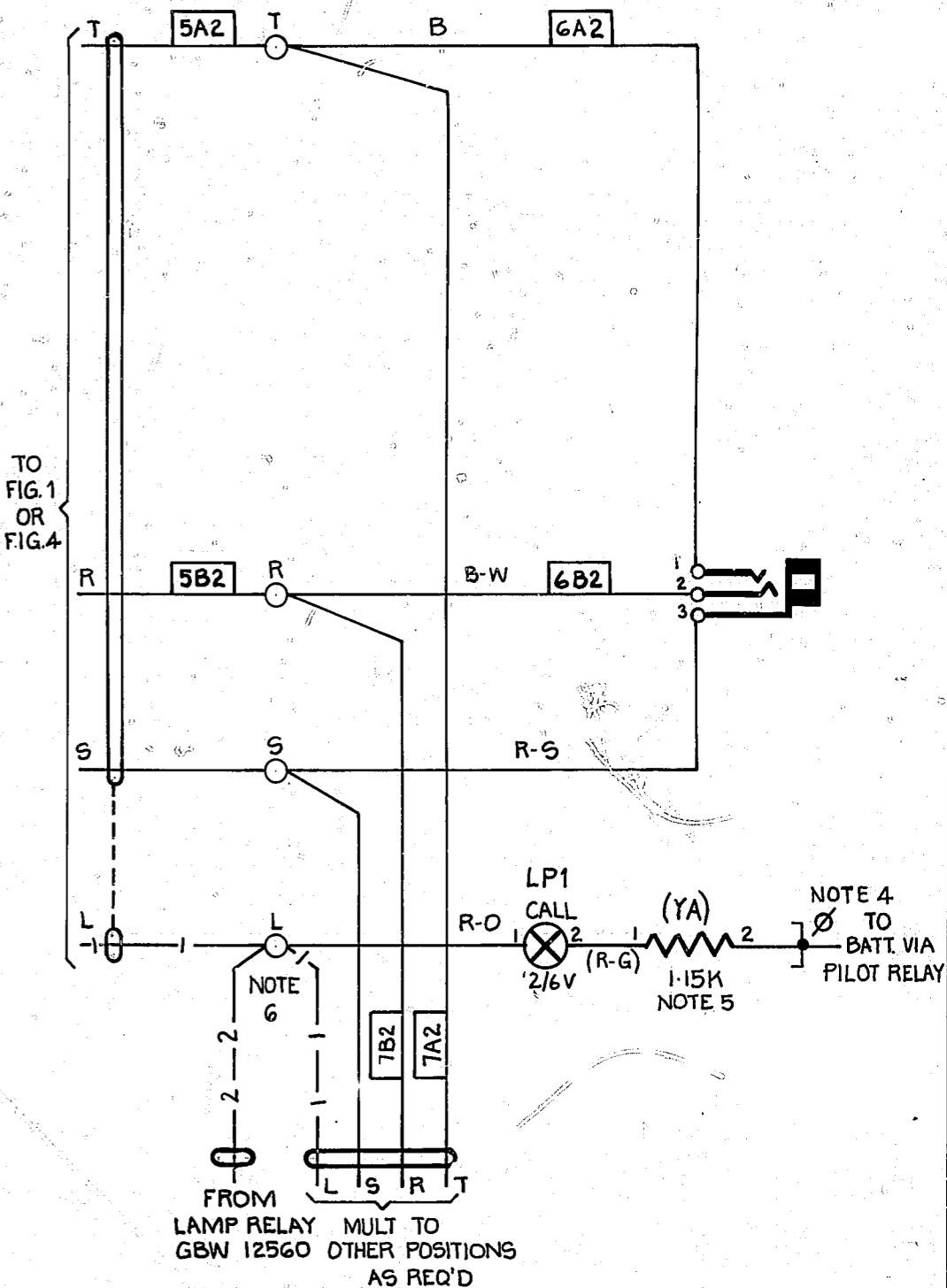


FIG. 2. TEST DESK OR TEST RACK.

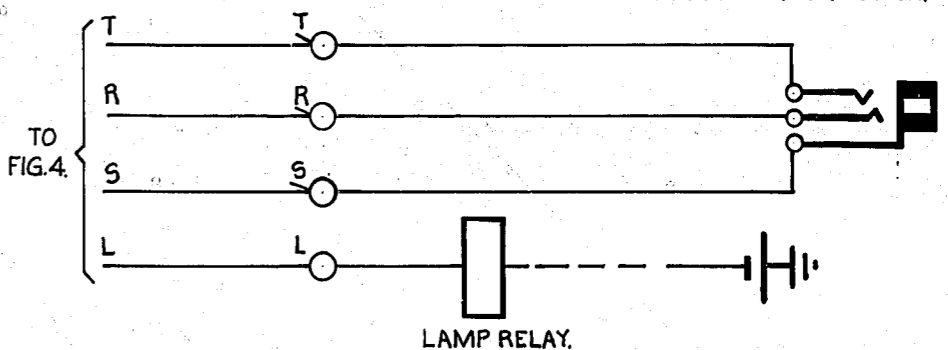


NOTES:-

1. FUSING:- 1.5A PER CIRCUIT.
2. ALL WIRING TO BE 0.5mm UNLESS OTHERWISE SPECIFIED.
3. AT SOME EARLY EXCHANGES THESE LEADS ARE TERMINATED ON M.D.F. PROTECTORS AND MAY BE CABLED VIA THE I.D.F.
4. Ø FOR WIRING SEE ASSOCIATED COMMON SERVICES DIAGRAM (TEST RACK ONLY)
5. AT SOME EARLY EXCHANGES QA COMPRISES TWO 2 µF CAPACITORS IN PARALLEL AND YA IS 1200 OHMS.
6. AT EARLY EXCHANGES WITH UP TO 5 LAMP APPEARANCES CONNECTIONS SHOWN -1-1- ARE PROVIDED " " " " OVER " " " " -2-2- " " "

NZ NOTE.  
IF INCOMING JUNCTION IS FROM A NEC X-BAR EXCHANGE WHICH USES TELOGT, PROVIDE WIRING SHOWN THUS -o- AND DELETE WIRING SHOWN THUS -x-

FIG. 3. TEST DESK I/C MULTIPLE.  
GBW 16700 OR EQUIV. EXPLANATORY ONLY.



TEST DESK OR TEST RACK				RING DOWN JUNCTION		
AMENDMENT PARTICULARS				ISSUE	DATE	APP <sup>9</sup>
NZ NOTE A ADDED	(132956)	5B	28-79	R.E.D.		
RETRACED & METRICATED	(157762)	5A	29-5-78	RED		
REDRAWN. FIGS. 3 & 4 ADDED	(94160)	5	28-5-65	VC		
N.Z.P.O.				DRAWN.	CHECKED	WIRING
				CIRCUIT	10510	
				GBW.		
SIZE <b>S</b> 50 V E						